

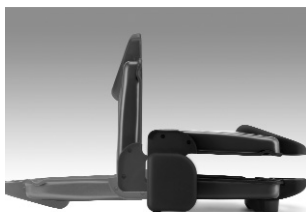


De'Longhi Appliances
via Seitz, 47
31100 Treviso Italia



GRIGLIA A CONTATTO
CONTACT-GRILL
GRILL A CONTACT
TISCHGRILL
KONTAKGRILL
PARILLA A CONTACTO
GREHLA DE CONTACTO
ТОСТІЕРА
ГРИЛЬ
KONTAKTRENSZERŰ GRILLSŰTŐ

Istruzioni per l'uso
Instructions for use
Mode d'emploi
Bedienungsanleitung
Gebruiksaanwijzingen
Instrucciones para el uso
Instruções de utilização
Οδηγίες χρήσης
Инструкции по эксплуатации
Használati utasítás



KONTAKTNÍ GRIL
KONTAKTN GRIL
ОПІЕКАЧ
KONTAKTGRILL
KONTAKTGRILL
KONTAKGRILL
MONITOIMIPARILLA
ROŠTILJ SA KONTAKTOM
KONTAKTNI ŽAR
КОНТАКТНА СКАРА
GRĂȚAR CU CONTACT
شواية بالتلامس

Návod k použití
Návod na použitie
Instrukcja obsługi
Bruksanvisning
Bruksanvisning
Vejledning til brug
Käyttöohjeet
Upute za uporabu
Navodila za uporabo
Указания за употреба
Instrucțiuni de folosire
تعليمات الاستخدام

ELECTRICAL CONNECTION (UK ONLY)

- A) If your appliance comes fitted with a plug, it will incorporate a 13 Amp fuse. If it does not fit your socket, the plug should be cut off from the mains lead, and an appropriate plug fitted, as below.

WARNING: Very carefully dispose of the cut off plug after removing the fuse: do not insert in a 13 Amp socket elsewhere in the house as this could cause a shock hazard.

With alternative plugs not incorporating a fuse, the circuit

must be protected by a 15 Amp fuse.

If the plug is a moulded-on type, the fuse cover must be re-fitted when changing the fuse using a 13 Amp Asta approved fuse to BS 1362. In the event of losing the fuse cover, the plug must NOT be used until a replacement fuse cover can be obtained from your nearest electrical dealer. The colour of the correct replacement fuse cover is that as marked on the base of the plug.

- B) If your appliance is not fitted with a plug, please follow the instructions provided below:

WARNING - THIS APPLIANCE MUST BE EARTHED


IMPORTANT

The wires in the mains lead are coloured in accordance with the following code:

Green and yellow:	Earth
Blue:	Neutral
Brown:	Live

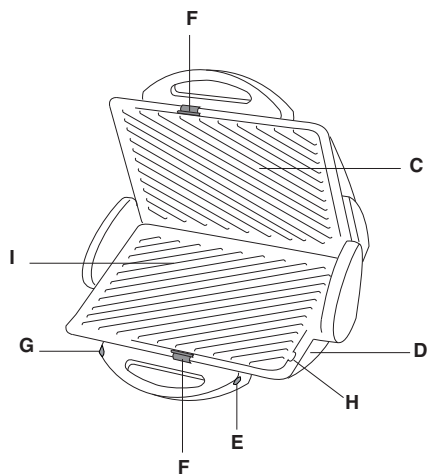
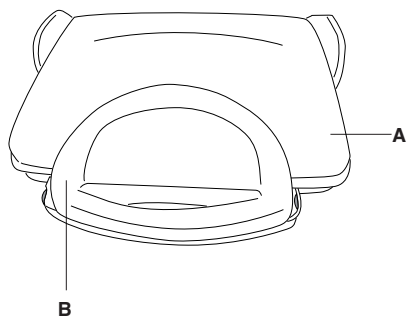


As the colours of the wires in the mains lead may not correspond with the coloured markings identifying the terminals in your plug, proceed as follows:

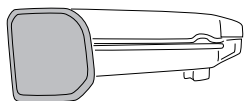
The green and yellow wire must be connected to the terminal in the plug marked with the letter E or the earth symbol  or coloured green or green and yellow.

The blue wire must be connected to the terminal marked with the letter N or coloured black.

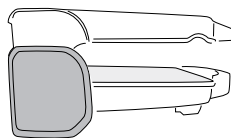
The brown wire must be connected to the terminal marked with the letter L or coloured red.



POS. 1



POS. 2



POS. 3

