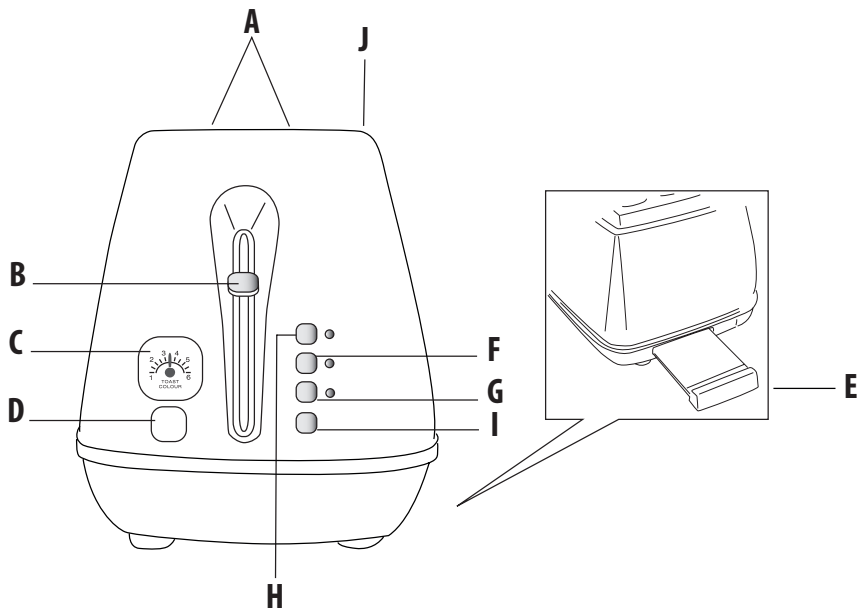
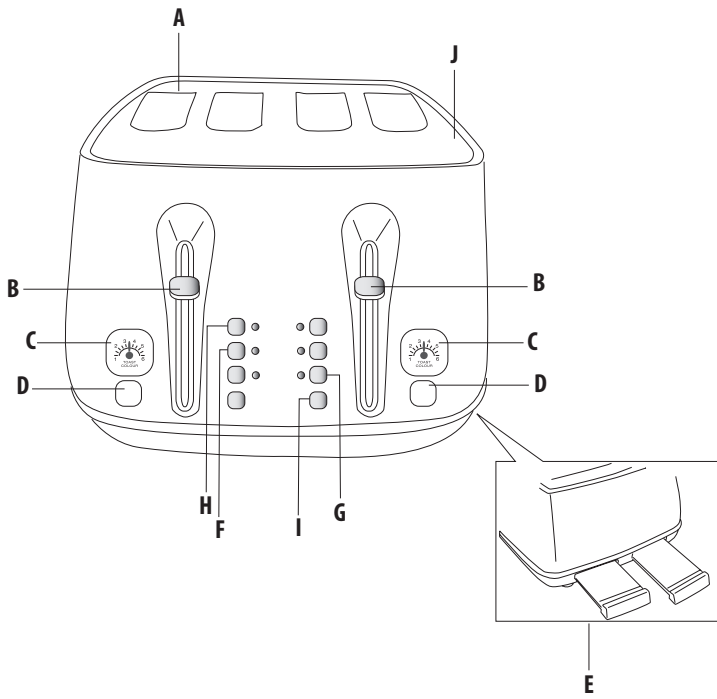

CTI Series

TOASTER Instructions for use



The De'Longhi logo is presented in a stylized, rounded rectangular frame with a double-line border. The text 'De'Longhi' is written in a bold, sans-serif font, with the 'e' in 'De' and 'hi' having a distinctive shape.



IMPORTANT WARNINGS

Safety warnings



Failure to observe the warning may result in life threatening injury by electric shock.

- The appliance is exclusively for the use of toasting bread products. Any other use is to be considered inappropriate and therefore dangerous. The manufacturer cannot be held responsible for eventual damage caused by inappropriate, improper or irresponsible use and/or for repairs made to the product by unauthorised personnel.
- If the supply cord is damaged, it must be replaced by the manufacturer, its service agent or similarly qualified persons in order to avoid a hazard.
- Before inserting the plug into the socket, ensure that: The voltage of the socket corresponds to the value indicated on the information label, attached to the appliance. The electrical socket is earthed. The manufacturer does not accept any liability if this requirement is not observed.
- The use of adapters, multiple socket units and/or extension cables is not recommended.
- To avoid electric shocks, never let the toaster, cord or plug get wet, and NEVER put your hand or anything metal, e.g. a knife or foil, into the toaster.
- Do not touch the appliance with wet or damp hands.
- Do not use the appliance with bare or wet feet.
- Always unplug the toaster when not in use, before cleaning or attempting to clear jammed bread.



Failure to observe the warning could result in injury or damage to the appliance.

- The appliance is designed and produced for domestic use only. The appliance is also suitable for use in: staff kitchens in shops, offices and other workplaces; farm houses; by clients in hotels, motels or other holiday accommodation; bed and breakfast or guest houses. Copy of

this manual should be kept in a location available at all times to clients/end-users and maintenance/management staff.

- The plastic bag in which the appliance was packaged should be kept out of reach of children as it poses a suffocation hazard.
- The appliance is not intended for use by persons (including children) with reduced physical, sensory or mental capabilities, or lack of experience and knowledge, unless they have been given supervision or instruction concerning use of the appliance by a person responsible for their safety.
Children should be supervised to ensure that they do not play with the appliance.
- Do not unplug the appliance from the outlet by pulling on the cord.
- Do not leave the appliance exposed to the elements, (rain, direct sunlight, frost, etc.).
- Do not immerse the appliance, the plug, or the electrical cable in water.
- This appliance is not intended to be operated by means of an external timer or separate remote-control system.
- As with any electrical appliance, whilst the instructions aim to cover as many eventualities as possible, caution and common sense should be applied when operating your appliance, particularly in the vicinity of young children.
- Details for cleaning refer to cleaning part of user manual.



Failure to observe the warning could result in burns or scalds.

- When the machine is running, the external surface temperature can be very high. Always use handles or protective gloves if necessary.
- Bread is a foodstuff which may catch

fire. Do not use this appliance under or next to curtains or other combustible material.

- Do not cover the appliance while it is in use, it could overheat and catch fire.
- We recommend that you do not use your toaster directly under wall cupboards.
- Burnt food can catch fire, so never leave your toaster on unattended, and set the browning control lower for thin or dry bread which can burn more easily.
- Never warm food with a topping or filling (e.g. pizza): if it drips into the toaster it could catch fire.
- Clean the crumb tray regularly: crumbs can smoke or burn.



Please note:

This symbol indicates recommendations and important information for the user.

- After removing the appliance from the packaging, make sure that the product is complete and in perfect condition. Ensure all labels and packaging have been removed from the toaster.
- Remove any dust that may have accumulated on the appliance during transit by dusting it off with a soft dry cloth.
- Do not let cord hang over edge of table or counter, or touch hot surfaces (for example the top plate **J**).



This appliance conforms to EC Regulation 1935/2004 on materials and articles intended to come into contact with food.

DESCRIPTION

- A** Bread toasting slots
- B** ON lever
- C** Browning control window
- D** Browning control dial
- E** Crumb collection tray
- F** Defrost button
- G** Reheat button
- H** Bagel button
- I** Stop/cancel button
- J** Top plate

USE

- Make sure the lever (**B**) is raised and the knob (**D**) is set for medium level toasting.
- Plug into the mains.
- Before using for the first time, heat up the empty toaster 3 times at max setting.

This will remove possible odours caused by manufacturing processes. Ventilate the room after each cycle.

- Place the slices of bread in the toasting slots (**A**), then lower the lever (**B**) as far as it will go. Do not cook or let the bread directly on the top plate (**J**) as this part is not intended for cooking purpose.



Please note: if the appliance is not plugged into the mains, the lever (**B**) will not stay down.

- When toasting is complete, the lever rises automatically, together with the slices of bread. **If the lever is accidentally blocked or held down, toaster may not switch off automatically.**
- If the bread is not sufficiently toasted, select a darker toasting level by turning the knob (**D**). Alternatively, if the toast is too dark, select a lighter toasting level.
- Toasting can be interrupted at any moment simply by pressing the stop/cancel button (**I**).
- Do not use the toaster empty (without slices of bread).
- Do not use very thin or broken slices of bread.
- Never use force to insert excessively large pieces of food.



Danger of burns!! the bread toasting slots become very hot during operation. Do not touch!

"Defrost" function

You can toast frozen slices of bread by pressing the "defrost" button (**F**) immediately after lowering the lever (**B**). The toasting cycle will be prolonged in order to achieve the desired toasting level. The light stays on while the defrost function is in use.

"Reheat" function

Lower the ON lever (**B**) and press the "reheat" button (**G**). The reheat light stays on while the reheat function is in use. The reheat time is fixed and cannot be adjusted by means of the toasting level knob.

Using the stop/cancel button

To stop toasting, press the stop/cancel button (**I**) at any moment.



Important! do not force the ON lever (**B**). Always use the stop/cancel button (**I**).

Crumb tray

The crumb tray (**E**) must be emptied regularly as accumulated crumbs could represent a fire risk. After toasting, allow the toaster to cool, then extract the crumb tray (**E**) and empty.

Bagel function

The 'Bagel' function allows for the toasting of bread, bagels and muffins etc on one side only (internal side), while the other (external side) remains warm. Bagels and muffins must be sliced in half before toasting. Press down on the lever (**B**) and then press the 'Bagel' button (**H**). The bagel indicator light will remain lit while the bagel function is in use.

CLEANING - MAINTENANCE

- Before cleaning the toaster or carrying out maintenance, always unplug from the mains.
- Wait for the appliance to cool down before cleaning.
- The outside of the toaster must be cleaned with a damp cloth and using water only. Never use abrasive or flammable liquids cleaning products as they could damage the surface.
- **NEVER IMMERSE THE APPLIANCE IN WATER.**
- When you have finished using the toaster, always unplug from the mains and empty the crumb tray on the bottom of the appliance.
- If slices of toast remain stuck in the appliance, unplug, turn upside down and shake lightly.
- **NEVER TOUCH ANY PART OF THE TOASTER, ESPECIALLY THE INSIDE OF THE BREAD TOASTING SLOTS, WITH SHARP UTENSILS.**

TECHNICAL CHARACTERISTICS

Supply voltage	See rating plate
Absorbed power	"

Proudly distributed by
De'Longhi Australia Pty Limited
P.O. BOX 4540
CASULA MALL NSW 2170
Customer Service Ph: 1800 126 659
Fax: 1800 706932
www.delonghi.com.au
e-mail: info.au@delonghigroup.com

De'Longhi New Zealand Limited
99 Khyber Pass Road
Grafton 1023
Auckland, New Zealand
P.O. Box 58-056 Botany
MANUKAU 2163
Customer Service Ph: 0508 200 300
Fax: 0508 200 301
www.delonghi.co.nz
e-mail: info.nz@delonghigroup.com

Register Now 
www.delonghi.com/register