

Register Now 
www.delonghi.com/register

CTLA Series



TOSTAPANE
TOASTER
GRILLE-PAIN
TOASTER
TOASTER
TOSTADOR
TORRADEIRA
ΦΡΥΓΑΝΙΕΡΑ
TOCTEP
KENYÉRPÍRÍTÓ
OPÉKAČ TOPINEK
HRIANKOVAČ
TOSTER
BRØDRISTER
BRÖDROST
BRØDRISTER
LEIVÄNPAAHDIN
TOSTER
UPUTE ZA UPORABU
TOCTEP
PRÁJITOR DE PÂINE
EKMEK KIZARTMA MAKİNESİ
برشته ساز
محمصة خبز

DeLonghi

IT

pag. 4

EN

page 7

FR

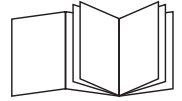
page 10

DE

S.13

NL

pag. 16

**ES**

pág. 19

PT

pág. 22

EL

σελ. 25

RU

стр. 28

KZ

бет. 35

UK

стр. 32

HU

old. 39

CS

str. 42

SK

str. 45

PL

str. 48

NO

sid. 51

SV

sid. 54

DA

sid. 57

FI

siv. 60

HR

str. 63

SL

str. 66

BG

стр. 69

RO

pag. 72

TR

Sey. 75

AR

صفحة 2

IR

6 صفحه

ELECTRICAL CONNECTION (UK ONLY)

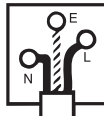
- A) If your appliance comes fitted with a plug, it will incorporate a 13 Amp fuse. If it does not fit your socket, the plug should be cut off from the mains lead, and an appropriate plug fitted, as below. **WARNING:** Very carefully dispose of the cut off plug after removing the fuse: do not insert in a 13 Amp socket elsewhere in the house as this could cause a shock hazard. With alternative plugs not incorporating a fuse, the circuit must be protected by a 15 Amp fuse. If the plug is a moulded-on type, the fuse cover must be re-fitted when changing the fuse using a 13 Amp Asta approved fuse to BS 1362. In the event of losing the fuse cover, the plug must NOT be used until a replacement fuse cover can be obtained from your nearest electrical dealer. The colour of the correct replacement fuse cover is that as marked on the base of the plug.
- B) If your appliance is not fitted with a plug, please follow the instructions provided below:

WARNING - THIS APPLIANCE MUST BE EARTHED

IMPORTANT

The wires in the mains lead are coloured in accordance with the following code:

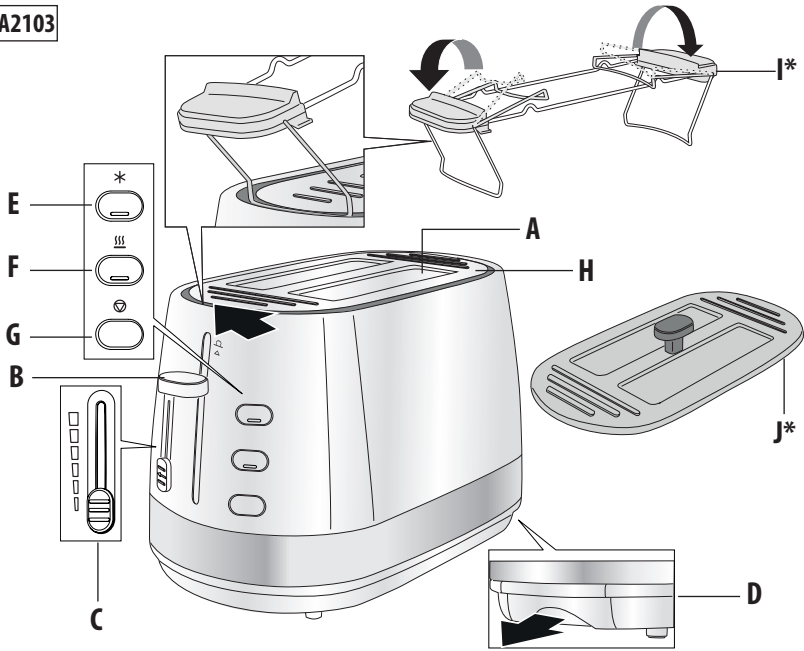
Green and yellow:	Earth
Blue:	Neutral
Brown:	Live



As the colours of the wires in the mains lead may not correspond with the coloured markings identifying the terminals in your plug, proceed as follows:

The green and yellow wire must be connected to the terminal in the plug marked with the letter E or the earth symbol \perp or coloured green or green and yellow. The blue wire must be connected to the terminal marked with the letter N or coloured black. The brown wire must be connected to the terminal marked with the letter L or coloured red.

CTLA2103



CTLA3103

