



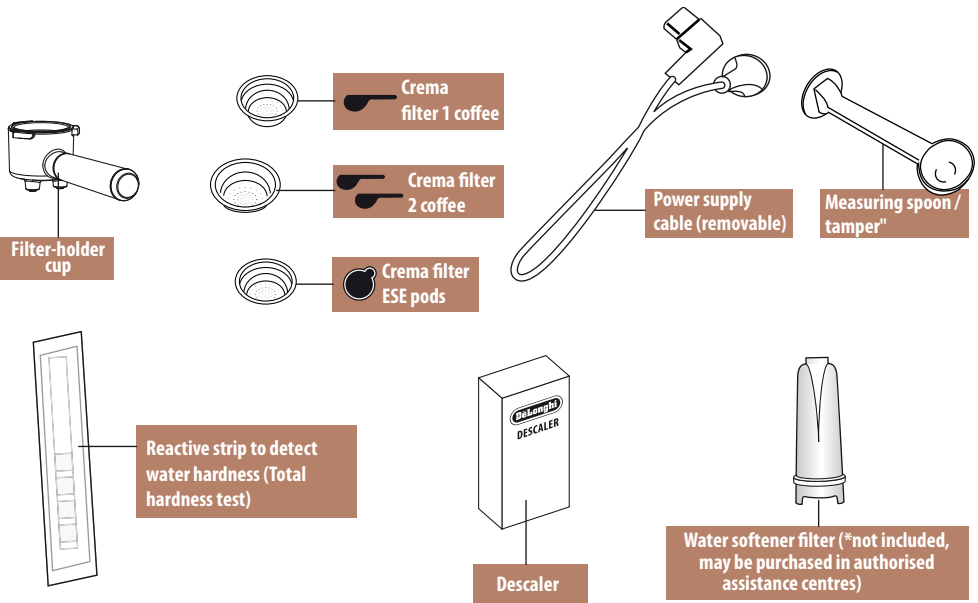
De'Longhi Appliances
via Seitz, 47
31100 Treviso Italia

Instructions for use

EC820 COFFEE MAKER



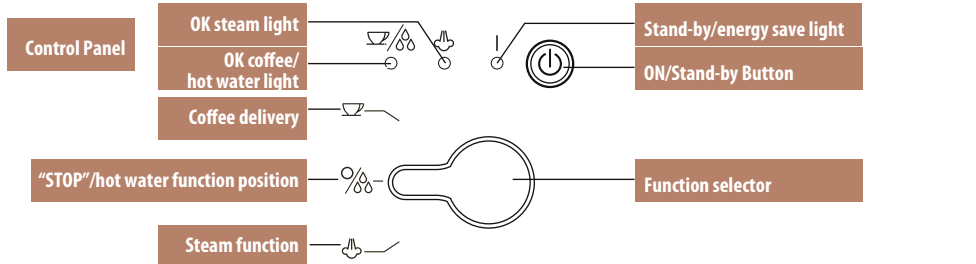
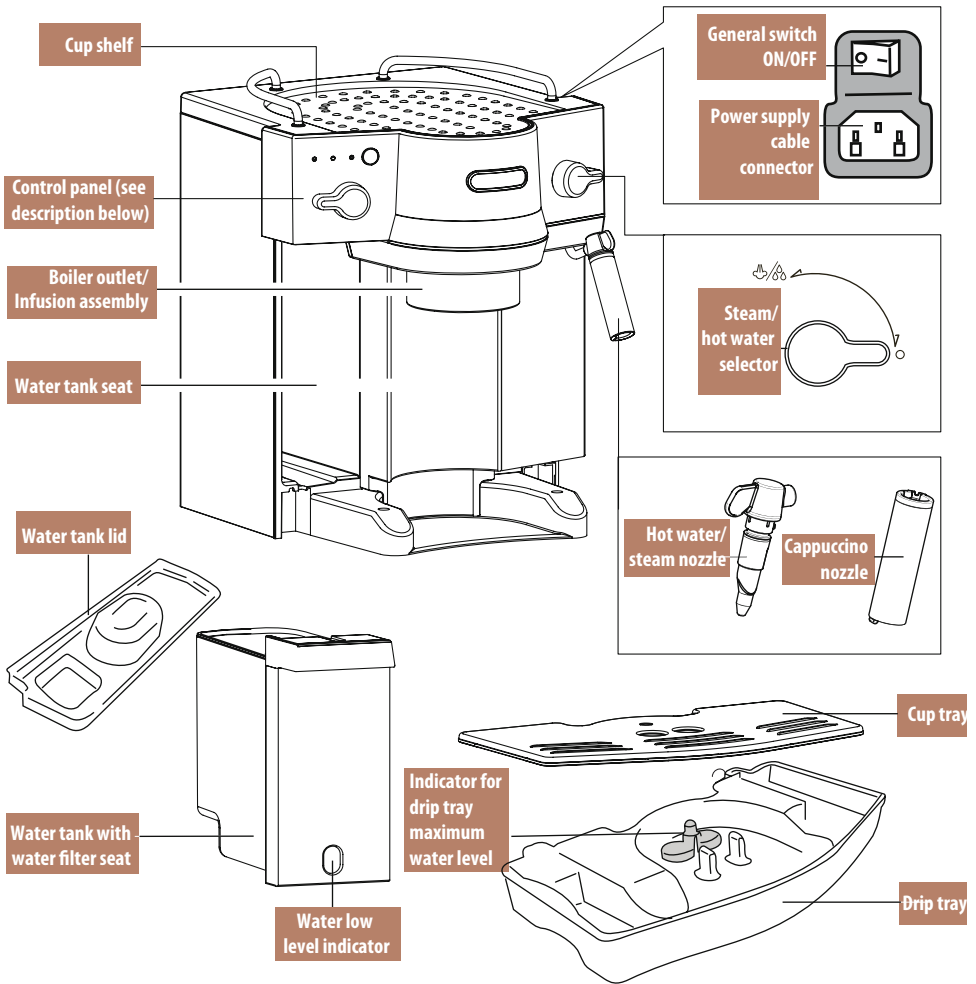
Description of accessories

















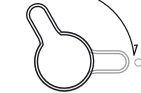










Contents

Description of accessories	2
Description of the appliance and control panel	3
Operating lights	4
Total hardness test	5
First use	6
Espresso	8
Cappuccino	9
cappuccino.....	9
Hot water	10
Temperature optimisation	10
Energy Saving	11
Cleaning	12
Descaling and Rinse	13
Tips	14
Troubleshooting	15
Safety	17
Symbols used in these instructions	17
Fundamental recommendations regarding safety.....	17
Conditions of use.....	17
Instructions for use	17
Technical data - Disposal	18
Check after transport	18
Technical date	18
Disposal	18
Electrical connection (UK ONLY)	18

Description of the appliance and control panel

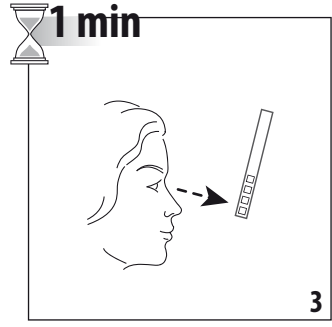
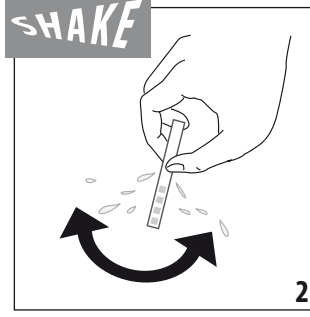
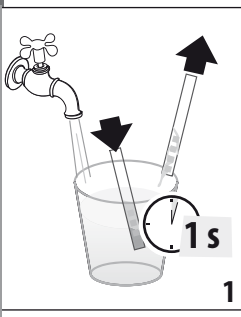


Operating lights

Lights	Function selector (B8)	Selector (A4)	Meaning of lights
			Every time the device is turned on, a self-test is automatically activated by pressing the general switch into I position. The three lights will flash in succession for a few seconds, until the self-test is complete
			The device is heating up to distribute coffee or hot water. The coffee / hot water light will flash while the device is heating up in order to dispense coffee or hot water
			The device has reached the ideal temperature to deliver coffee or hot water. COFFEE: turn the B8 selector to ☐. HOT WATER: turn the A4 selector to ☐.
			B8 selector is on ☐: the relative light flashes to indicate that the device is heating up to deliver steam.
			The device has reached the ideal temperature to deliver steam. Turn the A4 selector to ☐ to begin.
			Following steam delivery, the temperature is too high to make coffee: see “TEMPERATURE OPTIMISATION” on page 12 to make coffee at the correct temperature. If instead one wishes to make a cappuccino or hot water, proceed as usual.
			If “LOW POWER” (energy saving) is active and the device is not used for 15 minutes, “ LOW POWER ” automatically activates, reducing energy consumption in compliance with current European regulations. Simply turn one selector to return to normal use. To activate or deactivate the “Low Power”, please refer to page 11.
			If the device is not used for 75 minutes, it will automatically switch off (stand-by): to switch it back on, press the  button.

Total hardness test

TOTAL HARDNESS TEST

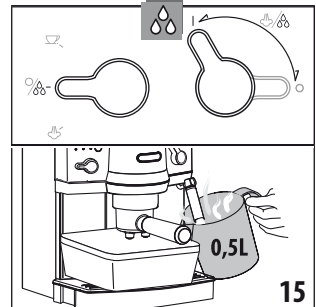
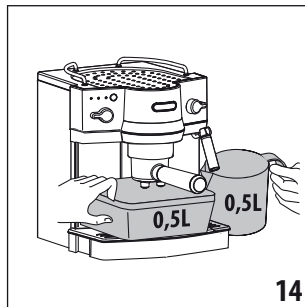
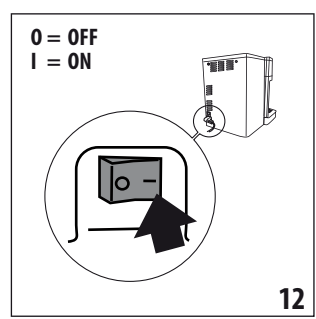
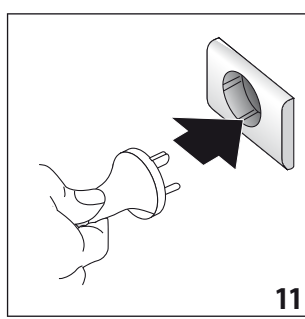
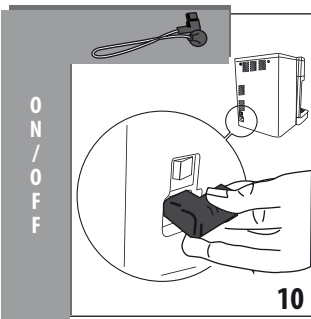
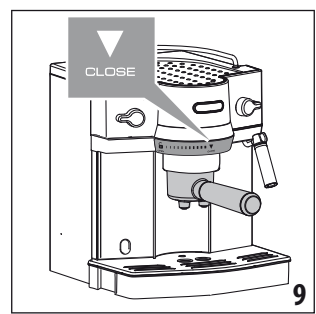
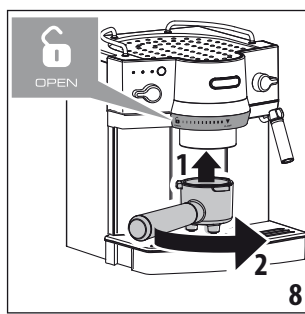
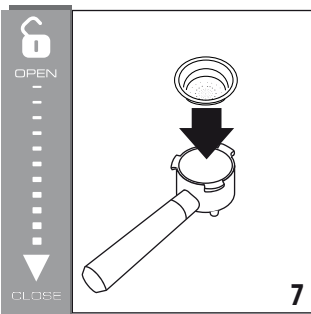
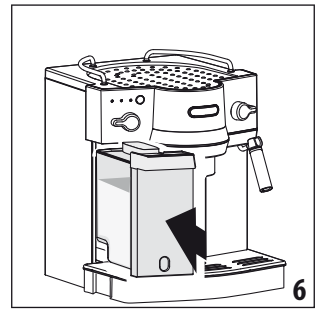
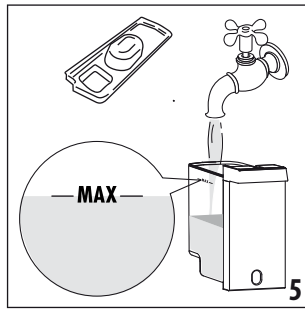
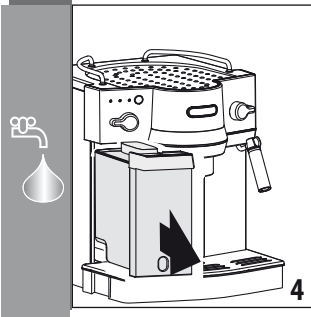


TOTAL HARDNESS TEST

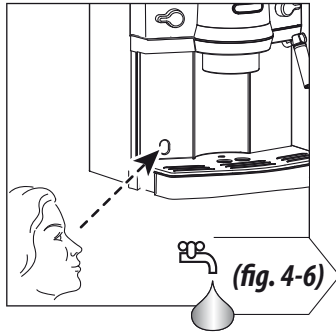
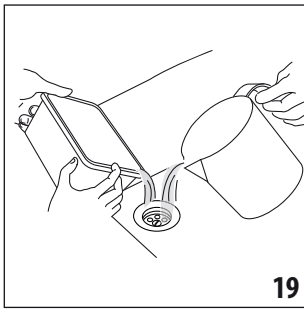
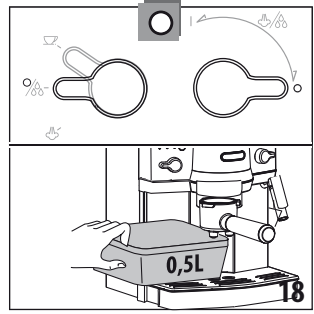
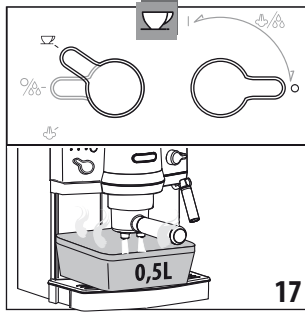
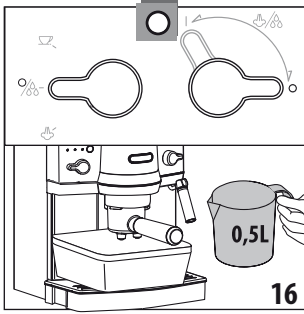
TOTAL HARDNESS TEST	MONTHS	NUMBER OF WATER TANKS (L)
0		x 240 L
1		x 180 L
2		x 120 L
3		x 70 L
4		x 40 L

To determine descaling frequency, refer to the table (months of use or number of used tanks).

First use

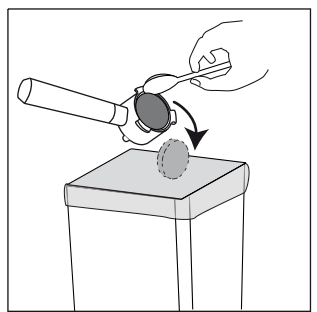
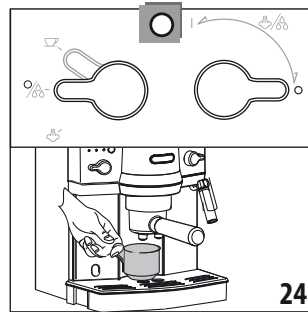
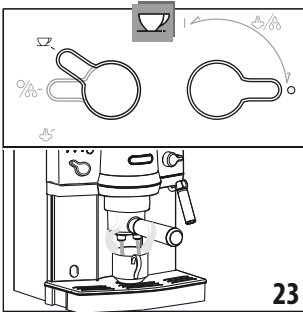
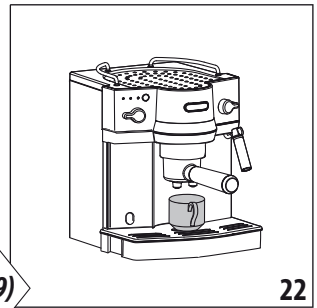
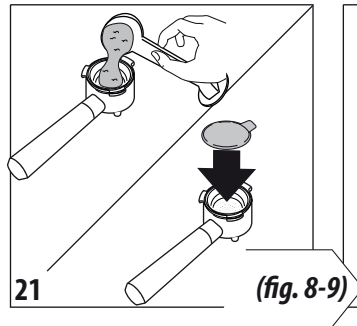
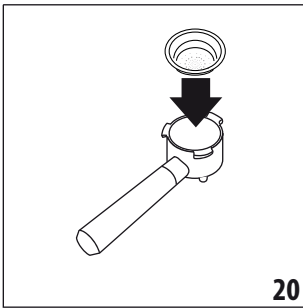
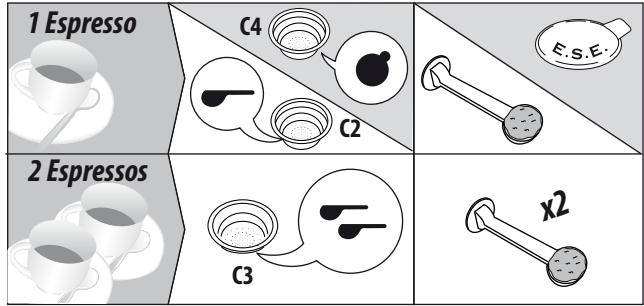


First use



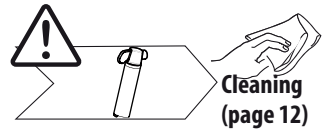
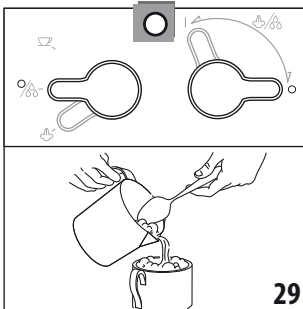
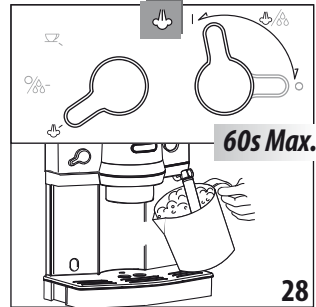
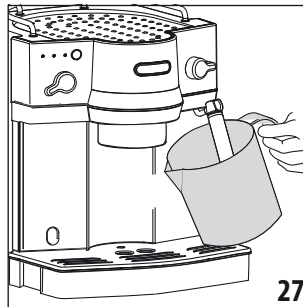
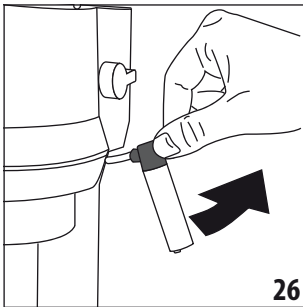
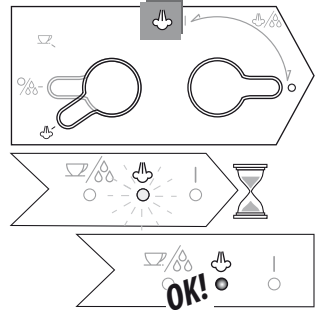
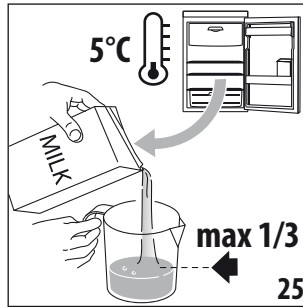
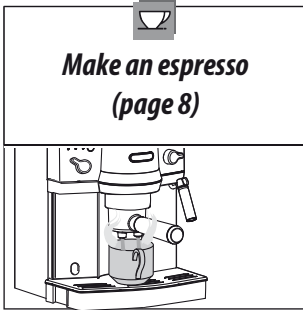
FIRST USE

Espresso



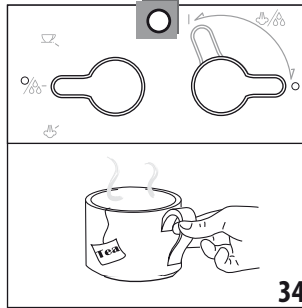
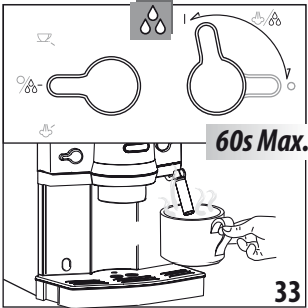
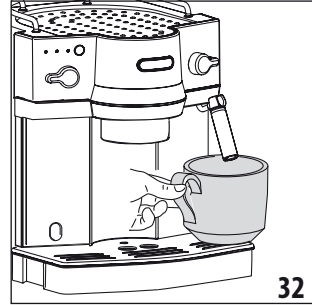
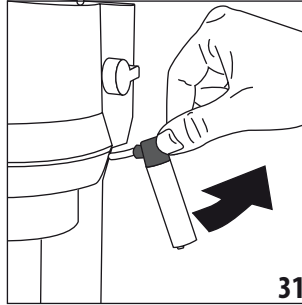
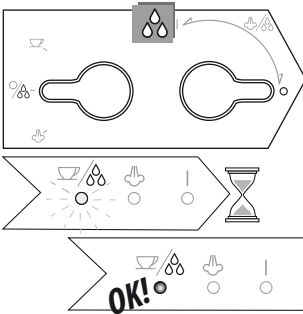
See advice in "Tips" par. on page 14.

Cappuccino

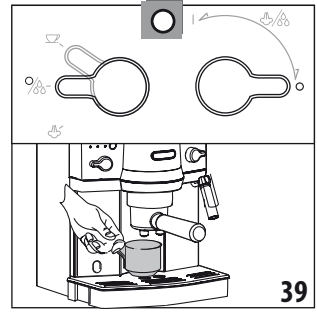
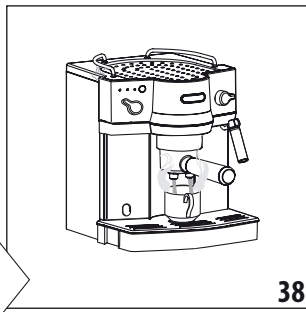
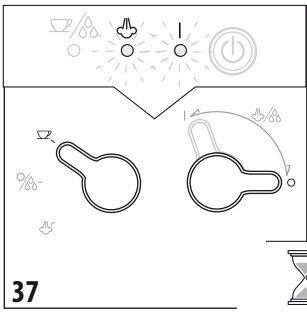
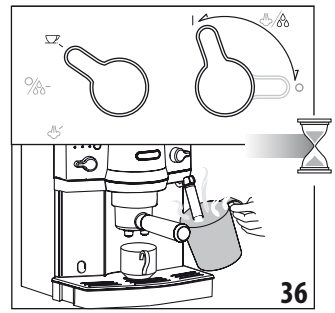
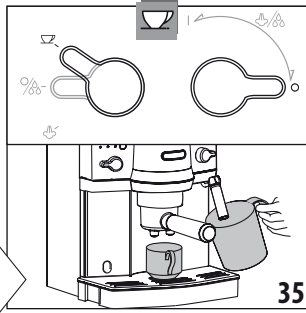
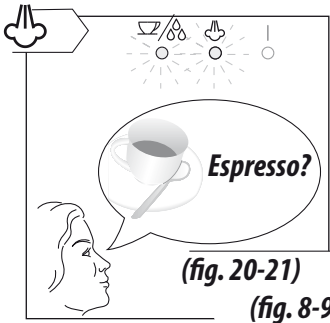


After every cappuccino, clean the cappuccino maker.

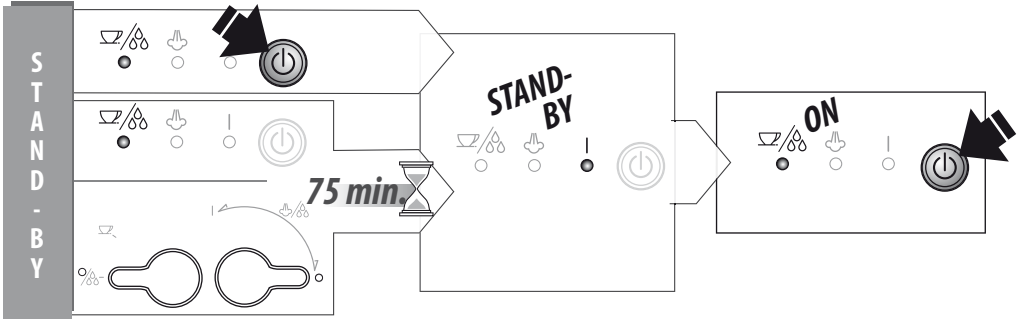
Hot water



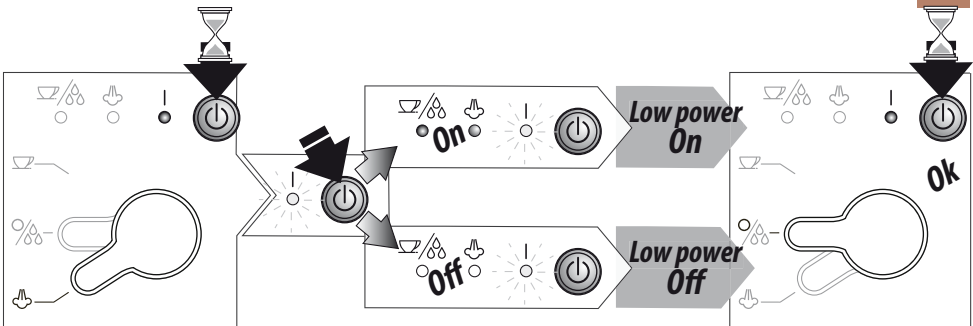
Temperature optimisation



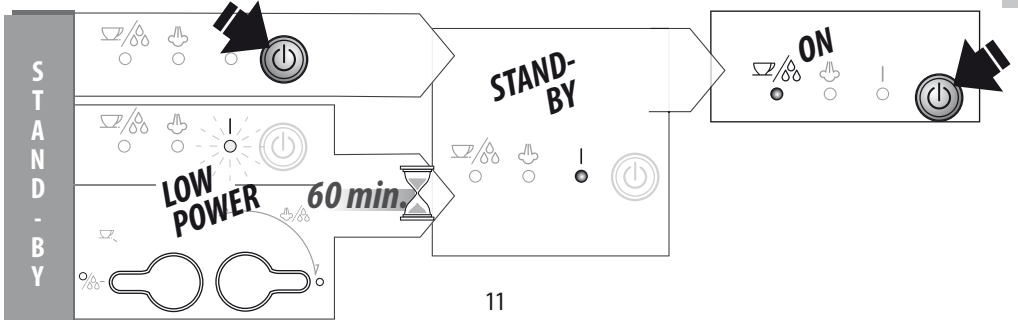
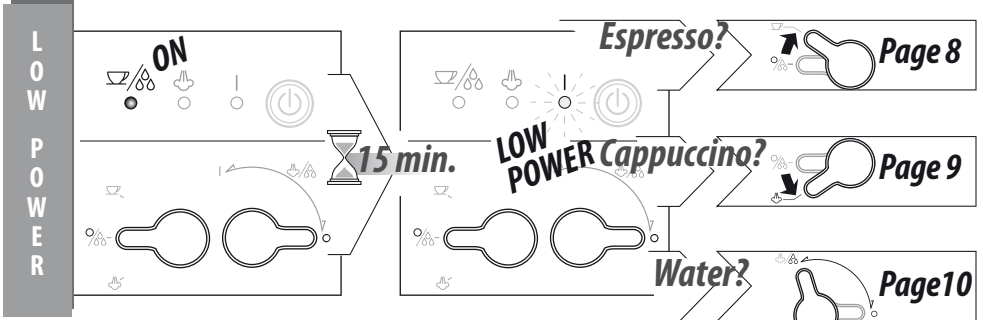
Energy Saving



To enable or disable the low power function



When LOW power is enabled, the device will automatically activate LOW POWER after 15 minutes and subsequently go into standby mode.



Cleaning



40

41

42

43

44

45

46

47

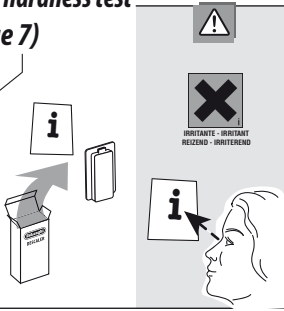
(fig. 7-9)

0,5L

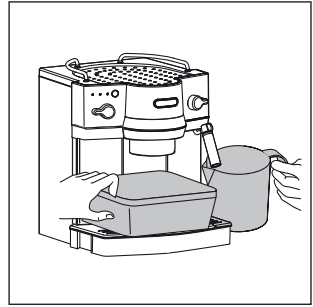
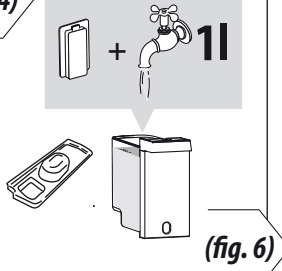
x200

Descaling and Rinse

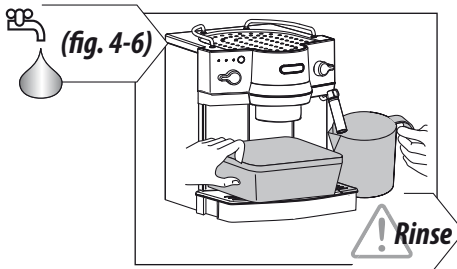
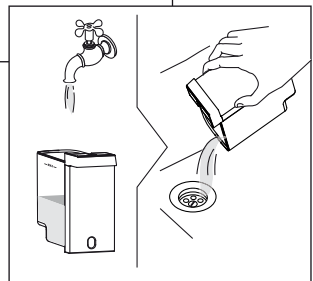
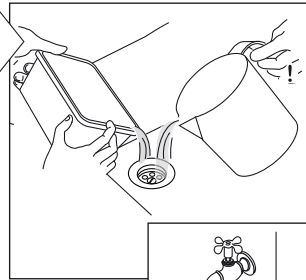
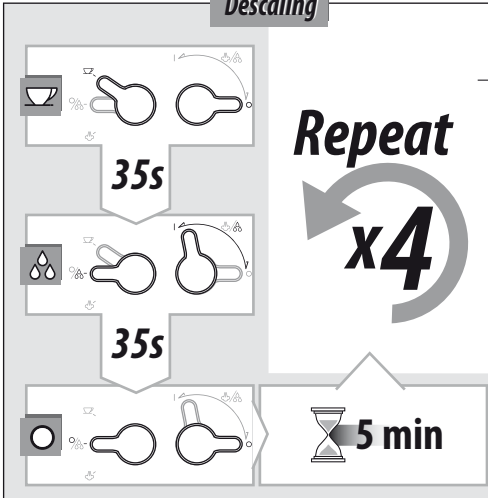
Total hardness test
(page 7)



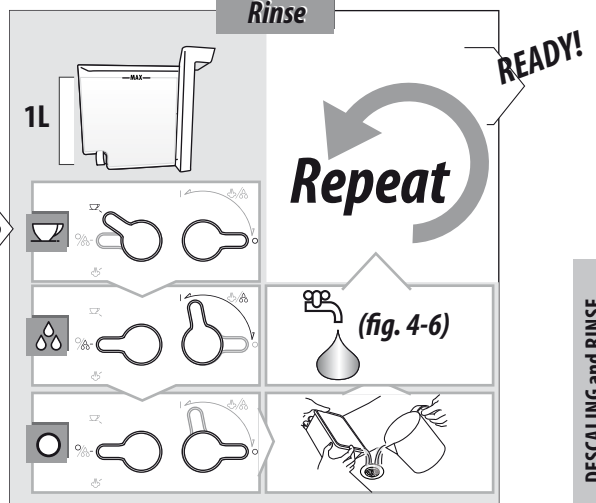
(fig. 4)



Descaling

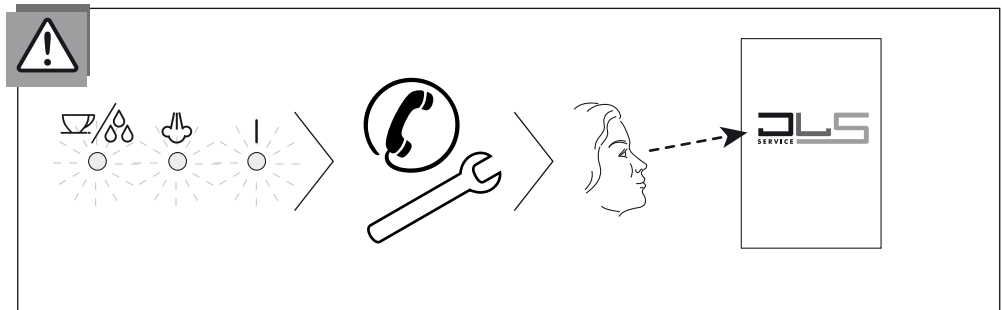
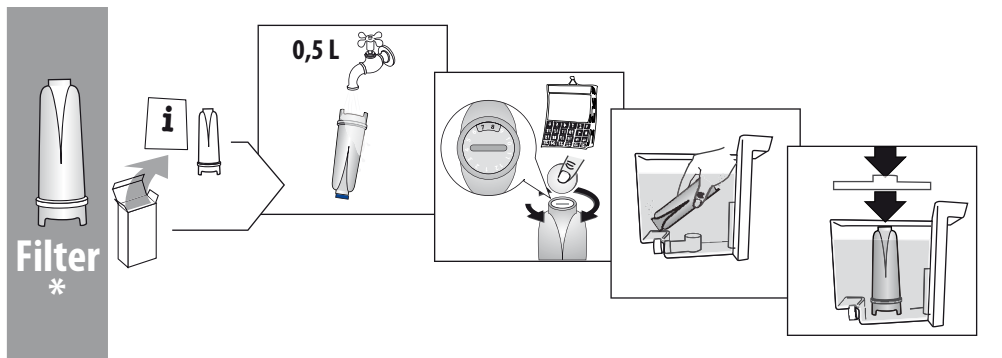
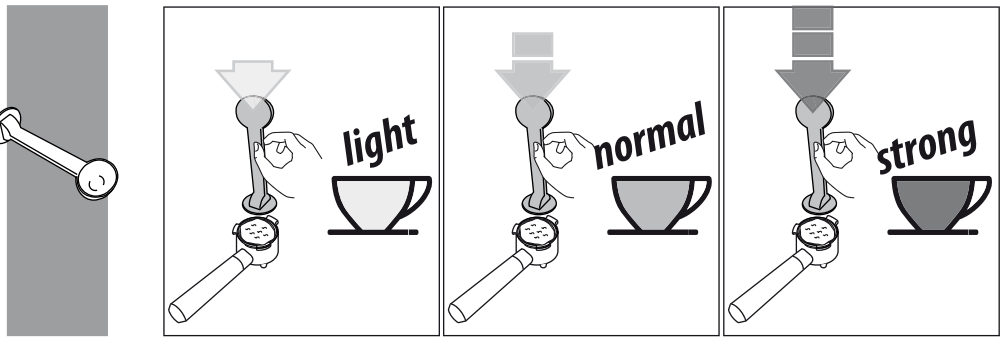
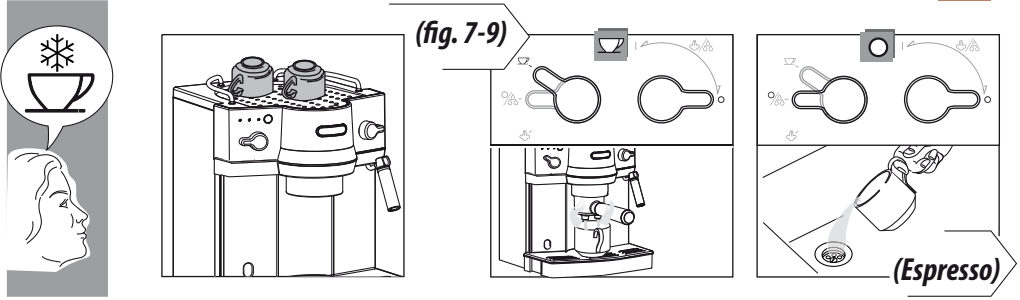


Rinse




DESCALING and RINSE

Tips



Troubleshooting

Problem	Possible causes	Solution
The device will not switch on	The power supply cable is not inserted correctly	Check that the power supply cable connector is fully inserted in the appropriate seat on the back of the device; then, check that the plug is correctly connected to the power outlet
The device is switched on, but it does not proceed with the desired function:  lights are flashing	The selectors are not in the correct position (attention: upon activation, the selectors must both be on \odot)	Turn the selectors into the correct position
Espresso coffee does not flow out	No water in the tank	Fill the water tank
	The holes in the filter-holder are blocked	Clean the holes in the filter-holder spouts
	The espresso boiler outlet is blocked	Clean as indicated in the "Cleaning" paragraph
Espresso coffee drips from the edges of the filter-holder instead of through the holes	The filter-holder is not correctly inserted or is dirty	Attach the filter-holder correctly and turn it fully to the right
	The espresso boiler gasket has lost elasticity or it is dirty	Try cleaning the gasket first using a damp cloth. To replace the espresso boiler gasket, contact Customer Services
	The holes in the filter-holder spout are blocked	Clean the holes in the spouts.
The filter-holder does not hook onto the device	Too much coffee was poured in the filter	Use the supplied measure and make sure to use the correct filter for the type of preparation desired (see table on page 10)
Loud pump noise	The water tank is empty	Fill the water tank
	The tank is inserted incorrectly and the valve on the bottom is not open	Press the tank lightly to open the valve on the bottom
The coffee cream is light (coffee flows quickly from the spout)	The ground coffee has not been sufficiently pressed	Tamper the ground coffee more
	Not enough ground coffee	Increase the amount of ground coffee
	The coffee is not ground finely enough	Only use coffee ground specifically for espresso coffee machines
	Incorrect type of ground coffee	Change the quality of the ground coffee
After coffee, the filter is attached to the boiler outlet		Attach the filter holder to the boiler outlet (fig. 7-8-9), then remove it.
After making coffee, the pod or coffee powder is attached to the boiler outlet		Attach the filter holder to the boiler outlet (fig. 7-8-9), deliver a coffee (fig. 23-24), then remove the filter holder.

Troubleshooting

Problem	Possible causes	Solution
The coffee crema is dark (the coffee flows slowly from the spout)	The ground coffee is too tightly pressed	Decrease the amount of ground coffee
	Too much ground coffee	Reduce the quantity of ground coffee
	The espresso boiler outlet is blocked	Clean as indicated in "Cleaning the filter"
	The filter is blocked	Only use coffee ground specifically for espresso coffee machines and it must not be damp. Clean filter
	The coffee is too finely ground	Change the quality of the ground coffee powder
	The ground coffee is too fine or is damp	Only use coffee ground specifically for espresso coffee machines and it must not be damp
	Incorrect type of ground coffee	Change the quality of the ground coffee powder
The milk does not froth when making a cappuccino	Milk not cold enough	Always use milk at refrigerator temperature
	Cappuccino nozzle is dirty	Carefully clean the holes in the cappuccino nozzle

Symbols used in these instructions

The important recommendations have these symbols. These recommendations must be followed.



Danger!

Failure to comply can be or is the cause of injury due to life-threatening electric shocks.



Attention!

Failure to comply can be or is the cause of injury or damage to the appliance.



Scalding hazard!

Failure to comply can be or is the cause of scalding or burns.



Please Note:

This symbol highlights recommendations and important information for the user.

Fundamental recommendations regarding safety



Danger!

As the appliance operates using electric current, electric shocks can not be excluded.

Therefore, follow the safety recommendations given:

- Do not touch the appliance when you have wet hands or feet.
- Do not touch the plug with wet hands.
- Make sure that the socket used can always be easily reached, so that the plug can be removed when required.
- Remove the plug from the socket by acting directly on the plug itself. Do not pull the cable as damage could be caused.
- Remove the plug from the socket to disconnect the appliance completely.
- Do not attempt to repair the appliance if it should breakdown.
Switch the appliance off, remove the plug from the socket and contact the After-Sales Service. Please refer to enclosed guarantee leaflet for details.
- If the plug or power supply cable are damaged, have them replaced exclusively by the De'Longhi After-Sales Service, in order to prevent risks. Please refer to the enclosed guarantee leaflet for details.



Attention:

Keep the packaging material (plastic bags, expanded polystyrene) out of the reach of children.



Attention:

The appliance is not intended for use by persons (including children) with reduced physical, sensory or mental capabilities, or lack of experience and knowledge, unless they have been given supervision or instruction concerning use of the appliance by a person responsible for their safety. Children should be supervised to ensure that they do not play with the appliance.



Scalding hazard!

This appliance produces hot water and steam may form when it is operating.

Pay attention not to come into contact with hot water sprays or steam.

Do not touch the cup warmer plate when the appliance is on; it is hot.

Conditions of use

This appliance is manufactured for the preparation of coffee and to heat beverages.

The appliance is designed and produced for domestic use only.

It is not suitable for use in:

- staff kitchens in shops, offices and other workplaces
- farms
- hotels, motels or other holiday accommodation
- guest houses

Any other use must be considered improper and therefore dangerous.

The manufacturer is not liable for damage deriving from the improper use of the appliance.

Instructions for use

Thank you for choosing this coffee machine. To get the very best out of your new coffee machine it is advisable to read these instructions before using the appliance. This is the only way to ensure optimum results and maximum safety.

The manufacturer is not liable for damage deriving from the failure to comply with the user instructions.



Please Note:

Keep these instructions carefully. If the appliance should be transferred to other persons, these instructions must accompany it.



Please Note: first use

Upon first use, rinse the internal ducts of the device, and operate the device like one would to make coffee until at least one water tank has been emptied; then, proceed to making coffee.

Technical data - Disposal

Check after transport

After the packaging has been removed, check the integrity of the appliance and the presence of all accessories.

Do not use the appliance in the presence of obvious damage. Contact the De'Longhi Customer Services department, please see enclosed leaflet.

Technical date

Mains voltage:	220-240V-50/60Hz
Absorbed power:	1450W
Dimensions (LxHxD):	305x275x320 mm
Thermoblock:	stainless steel/aluminum
Pressure:	15 bar
Water tank capacity:	1 L
Cable length:	1,2 m
Weight:	5,35 kg



The appliance complies with the following EC directives:

- Stand-by Directive no. 1275/2008;
- Low Voltage Directive 2006/95/EC and subsequent amendments;
- EMC Directive 2004/108/EC and subsequent amendments
- Materials and accessories coming into contact with food conform to EEC regulation 1935/2004.

Disposal



Recommendations for the correct disposal of the product in compliance with the 2002/96/CE European Directive.

The product must not be disposed of as urban waste at the end of its working life.

It must be taken to appropriate local authority separate waste collection centres or to dealers providing this service.

Disposing of a household appliance separately avoids possible negative consequences for the environment and health deriving from unsuitable disposal and allows to recover the materials of which it is made in order to make significant savings in energy and resources.

The product has the crossed-out wheeled bin mark as a reminder of the obligation to dispose of household appliances separately.

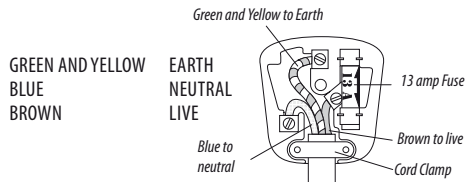
Electrical connection (UK ONLY)

Before using this appliance ensure that the voltage indicated on the product corresponds with the main voltage in your home, if you are in any doubt about your supply contact your local electricity company. The flexible mains lead is supplied connected to a B.S. 1363 fused plug having a fuse of 13 amp capacity. Should this plug not fit the socket outlets in your home, it should be cut off and replaced with a suitable plug, following the procedure outlined below.


Note: Such a plug cannot be used for any other appliance and should therefore be properly disposed of and not left where children might find it and plug it into a supply socket - with the obvious consequent danger.

Please note: We recommend the use of good quality plugs and wall sockets that can be switched off when the machine is not in use.

IMPORTANT: The wires in the mains lead fitted to this appliance are coloured in accordance with the following code:



As the colours of the wires in the mains lead of this appliance may not correspond with the coloured markings identifying the terminals in your plug, proceed as follows:

- The wire which is coloured green and yellow must be connected to the terminal in the plug which is marked with the letter E or by the earth symbol  or coloured green or green and yellow.
- The wire which is coloured blue must be connected to the terminal which is marked with the letter N or coloured black.
- The wire which is coloured brown must be connected to the terminal which is marked with the letter L or coloured red.

When wiring the plug, ensure that all strands of wire are securely retained in each terminal. Do not forget to tighten the mains lead clamp on the plug. If your electricity supply point has only two pin socket outlets, or if you are in doubt, consult a qualified electrician. Should the mains lead ever require replacement, it is essential that this operation be carried out by a qualified electrician and should only be replaced with a flexible cord of the same size. After replacement of a fuse in the plug, the fuse cover must be refitted. If the fuse cover is lost, the plug must not be used until a replacement cover is obtained. The colour of the correct replacement fuse cover is that of the coloured insert in the base of the fuse recess or elsewhere on the plug. Always state this colour when ordering a replacement fuse cover. Only 13amp replacement fuses which are asta approved to B.S. 1362 should be fitted.

This appliance conforms to the Norms EN 55014 regarding the suppression of radio interference.

Warning - this appliance must be earthed