



---

EC0311



COFFEE MAKER  
MACCHINA DA CAFFÈ  
MACHINE À CAFÉ  
KAFFEEMASCHINE  
KOFFIEZETAPPARAAT  
CAFETERA  
MÁQUINA DE CAFÉ  
ΜΗΧΑΝΗ ΓΙΑ ΚΑΦΕ  
KAFFEMASKIN  
KAFFEMASKIN  
KAFFEMASKINE  
KAHVINKEITIN  
ΚΟΦΕΜΑШИΝΑ  
ΚΟΦΕ ЖАСАҒЫШ  
KÁVÉFŐZŐGÉP  
KÁVOVAR  
KÁVOVAR  
EKSPRES DO KAWY  
APARAT ZA KAVU  
KAVNI APARAT  
ΚΑΦΕΜΑШИΝΑ  
APARAT DE PREPARAT CAFEA  
KAHVE MAKINESI

ماكينة قهوة

---

**DeLonghi**



pag. 6



page 13



pag.19



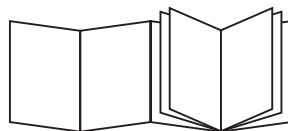
S. 26



pag. 33



pág. 40



pag. 47



σελ 54



sid.61



sid. 68



sid. 75



siv. 82



стр. 89



97-6ер



old. 108



str. 115



str.122



str.129



str.136



str.143



стр.150



pag.158



say.165



siv. 82

## ELECTRICAL REQUIREMENTS (UK ONLY)

Before using this appliance ensure that the voltage indicated on the product corresponds with the main voltage in your home, if you are in any doubt about your supply contact your local electricity company.

The flexible mains lead is supplied connected to a B.S. 1363 fused plug having a fuse of 13 amp capacity.

Should this plug not fit the socket outlets in your home, it should be cut off and replaced with a suitable plug, following the procedure outlined below.

Note: Such a plug cannot be used for any other appliance and should therefore be properly disposed of and not left where children might find it and plug it into a supply socket - with the obvious consequent danger.

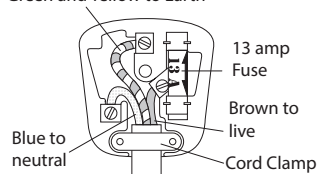
N.B. We recommend the use of good quality plugs and wall sockets that can be switched off when the machine is not in use.

IMPORTANT: the wires in the mains lead fitted to this appliance are coloured in accordance with the following code:


GREEN AND YELLOW  
BLUE  
BROWN

EARTH  
NEUTRAL  
LIVE

Green and Yellow to Earth



As the colours of the wires in the mains lead of this appliance may not correspond with the coloured markings identifying the terminals in your plug, proceed as follows:

- The wire which is coloured green and yellow must be connected to the terminal in the plug which is marked with the letter E or by the earth symbol  or coloured green or green and yellow.
- The wire which is coloured blue must be connected to the terminal which is marked with the letter N or coloured black.
- The wire which is coloured brown must be connected to the terminal which is marked with the letter L or coloured red.

When wiring the plug, ensure that all strands of wire are securely retained in each terminal. Do not forget to tighten the mains lead clamp on the plug. If your electricity supply point has only two pin socket outlets, or if you are in doubt, consult a qualified electrician.

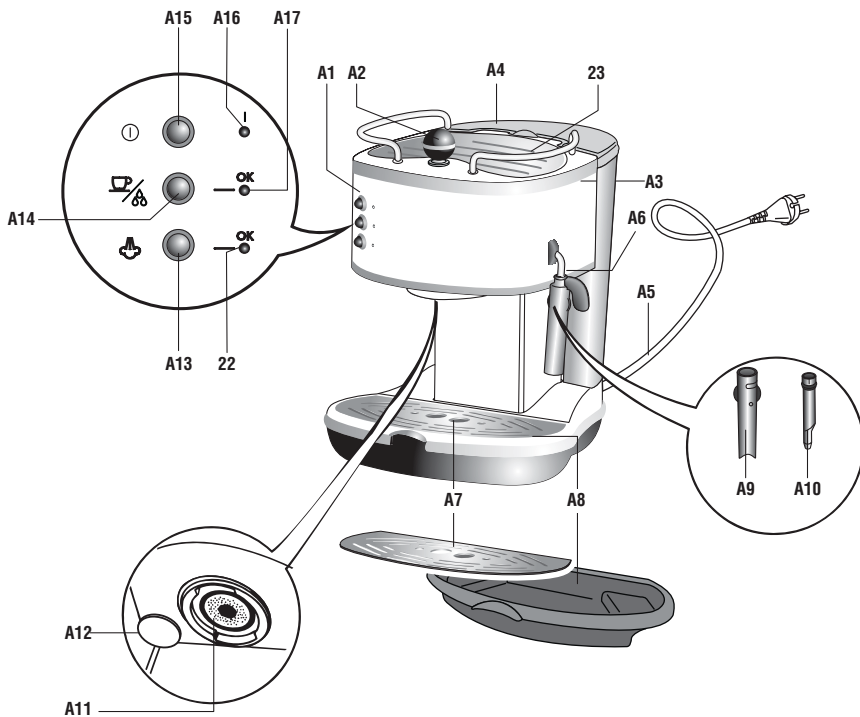
Should the mains lead ever require replacement, it is essential that this operation be carried out by a qualified electrician and should only be replaced with a flexible cord of the same size.

After replacement of a fuse in the plug, the fuse cover must be refitted. If the fuse cover is lost, the plug must not be used until a replacement cover is obtained. The colour of the correct replacement fuse cover is that of the coloured insert in the base of the fuse recess or elsewhere on the plug. Always state this colour when ordering a replacement fuse cover.

Only 13amp replacement fuses which are approved to B.S. 1362 should be fitted.

This appliance conforms to the Norms EN 55014 regarding the suppression of radio interference.

**Warning - this appliance must be earthed**

**A****B**