



De'Longhi Appliances  
via Seitz, 47  
31100 Treviso Italia

Instruction for use | ELECTRIC OVEN



**E012012, E012562**

**Read all the instructions carefully before using the appliance. Keep these instructions.**



### **Danger!**

Failure to observe the warning may result in life threatening injury by electric shock.

- **Before plugging into the mains, make sure that:**
  - **The mains voltage corresponds to the voltage indicated on the rating plate.**
  - **the mains socket is earthed and has a minimum rating of 16A.**

**The manufacturer declines all liability in the event that this important accident-prevention rule is not respected.**

- Do not let the power cable dangle and avoid touching hot parts of the oven.
- Never unplug the appliance by pulling on the power cable.
- If you intend to use an extension, make sure it is in good condition, that the plug is earthed and that the cross section of the wires is at least equal to that of the power cable provided with the appliance.
- To avoid all risk of electric shock, never immerse the power cable, plug or appliance itself in water.
- If the power cable is damaged, it must be replaced by the manufacturer, the manufacturer's Customer Experience or a qualified electrician in order to eliminate all risk.
- For your personal safety, never take the appliance to pieces on your own. Always contact customer Experience.



### **Danger of burns!**

Failure to observe the warning could result in scalds or burns.

- When in operation, the door and accessible external surfaces could become very hot. Always use the dials, handles and buttons. Never touch metal parts or the glass. Use oven gloves if necessary.
- This electrical appliance operates at high temperatures which could cause burns.

- Do not leave inflammable products near the oven or under the work surface where it is located.
- Never operate the appliance under a wall cupboard or shelf or near inflammable materials such as curtains, blinds, etc.
- **If food or other parts of the oven catch fire, never try and put out the flames with water. Close the door, unplug from the mains and smother the flames with a damp cloth.**



### **Important!**

Failure to observe the warning could result in injury or damage to the appliance.

- This oven is designed to cook food. It must never be used for other purposes, modified or tampered with in any way.
- After unpacking the appliance, make sure the door is undamaged and working correctly.

The door is made from glass and is therefore fragile. If it is visibly chipped, scored or scratched, it should be replaced. While using, cleaning or moving the appliance, avoid slamming or knocking the door violently. Do not pour cold liquid onto the glass while the appliance is hot.
- Place the appliance on a horizontal surface at a height of at least 85 cm and out of reach of children.
- This appliance can be used by children aged from 8 years and above and persons with reduced physical, sensory or mental capabilities or lack of experience and knowledge if they have been given supervision or instruction concerning use of the appliance in a safe way and understand the hazards involved. Children should be supervised to ensure that they do not play with the appliance.
- Cleaning and user maintenance shall not be made by children, unless they are more than eight years old and under constant supervision.
- Keep the appliance and power cable

away from children under eight years of age.

- Do not move the appliance while in use.
- Do not use the appliance if:
  - The power cable is faulty
  - The appliance has been dropped, is visibly damaged or malfunctioning.

In these cases, to avoid all risk take the appliance to your nearest authorised customer Experience.

- Never position the appliance near heat sources.
- Do not use the appliance as a heat source.
- Never place paper, cardboard or plastic inside the oven and never rest anything on top of the appliance (utensils, wire racks, other objects).
- Never insert anything into the ventilation openings. Make sure they are unobstructed.
- This oven is not designed for built-in installation.
- Do not rest heavy objects, boiling pans or containers on the open door.

Do not pull the handle downwards.

- Professional or inappropriate use, or failure to observe the instruction for use absolves the manufacturer from all responsibility and invalidates the guarantee.
- This is a household appliance only. It is not intended to be used in: staff kitchen areas in shops, offices and other working environments, farm houses, hotels, motels and other residential type environments, bed and breakfast type environments.
  - When not in use and before cleaning, always unplug the appliance.
- This appliance must not be operated by a timer or a separate remote control system.
  - The appliance must be placed and operated with the back next to the wall.
  - Do not use pointed or sharp metal objects to clean the bread pan.

- Before cleaning, always turn the appliance off by setting the timer to "0" and unplugging it from the mains socket.

## **Please note:**

This symbol identifies important advice or information for the user.

- Before using the oven for the first time, remove any paper and other material inside the oven such as protective cardboard, booklets, plastic bags, etc.
- The appliance must be kept at a distance of at least 20 cm from the mains power socket to which it is connected.
- Before using for the first time, operate the oven empty with the thermostat at maximum for at least 15 minutes to eliminate the "new" smell and any smoke caused by the presence of protective substances applied to the heating elements before transport. Ventilate the room.
- Wash all accessories before use.
- Never use corrosive or acid or aggressive detergent to clean the oven cavity or the accessories.

## Electrical connection

A) If your appliance comes fitted with a plug, it will incorporate a 13 Amp fuse. If it does not fit your socket, the plug should be cut off from the mains lead, and an appropriate plug fitted, as below.

**WARNING:** Very carefully dispose of the cut off plug after removing the fuse: do not insert in a 13 Amp socket elsewhere in the house as this could cause a shock hazard.

With alternative plugs not incorporating a fuse, the circuit must be protected by a 15 Amp fuse. If the plug is a moulded-on type, the fuse cover must be re-fitted when changing the fuse using a 13 Amp Asta approved fuse to BS 1362. In the event of losing the fuse cover, the plug must NOT be used until a replacement fuse cover can be obtained from your nearest electrical dealer. The colour of the correct replacement fuse cover is that as marked on the base of the plug.

B) If your appliance is not fitted with a plug, please follow the instructions provided below:


## **WARNING - THIS APPLIANCE MUST BE EARTHED** **IMPORTANT**

The wires in the mains lead are coloured in accordance with the following code:



Green and yellow:	Earth
Blue:	Neutral
Brown:	Live

As the colours of the wires in the mains lead may not correspond with the coloured markings identifying the terminals in your plug, proceed as follows:

The green and yellow wire must be connected to the terminal in the plug marked with the letter E or the earth symbol  or coloured green or green and yellow.

The blue wire must be connected to the terminal marked with the letter N or coloured black.

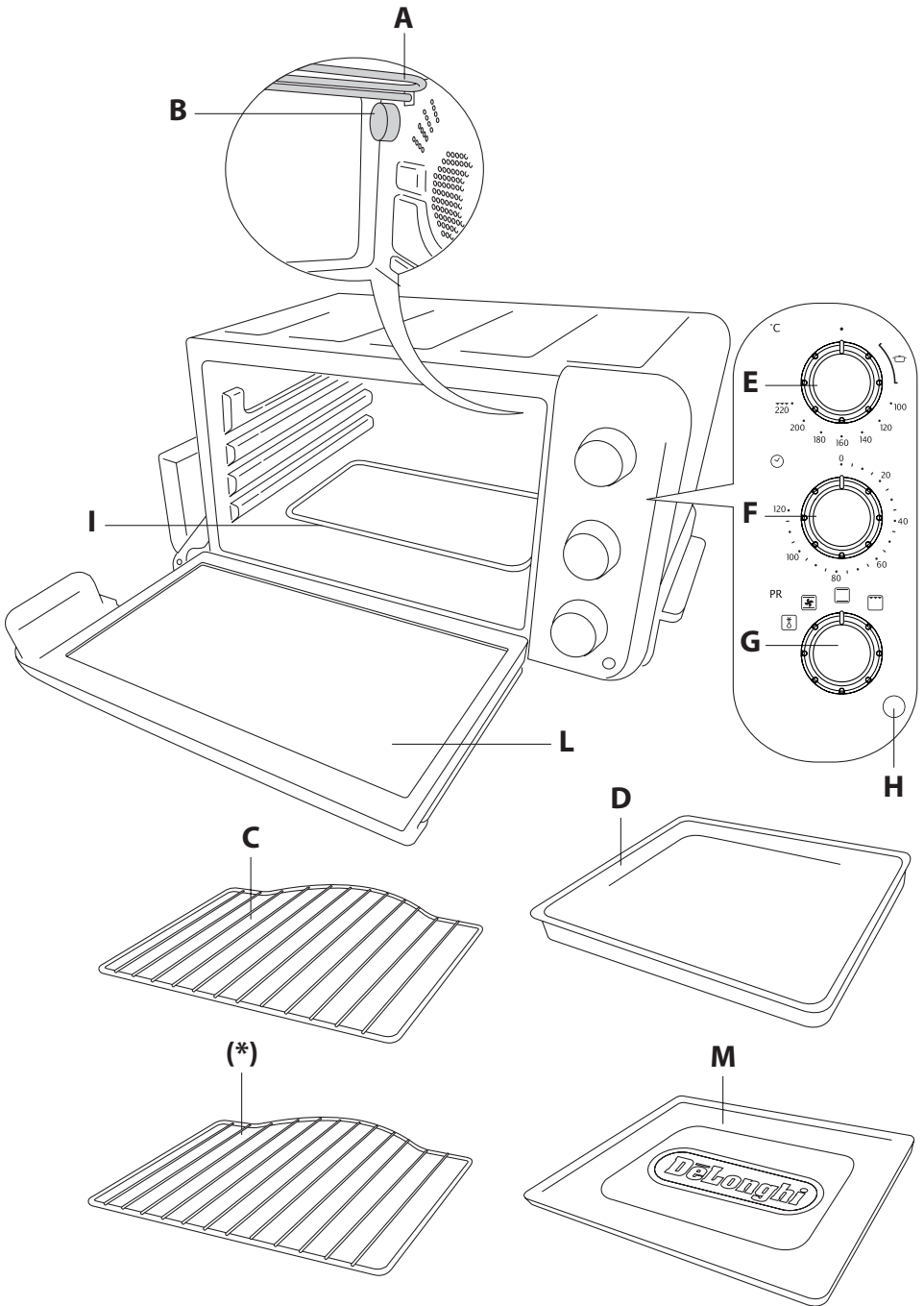
The brown wire must be connected to the terminal marked with the letter L or coloured red.

## Disposal

In compliance with European directive 2002/96/EC, the appliance must not be disposed of with household waste, but taken to an authorised waste separation and recycling centre.



# description of the appliance



## Description of appliance

---

- A Top heating element
- B Inside light (E012562 model only)
- C Wire rack – (\* E012562 model only)
- D Bake pan (some models only)
- E Thermostat dial
- F Timer dial
- G Function selector dial
- H Thermostat light
- I Lower heating element
- L Glass door
- M Crumb tray

## Functions

---



GRILL FUNCTION ideal for grilling food



TRADITIONAL OVEN FUNCTION ideal for all types of traditional cooking



DEFROSTING FUNCTION ideal for defrosting all products  
(E012562 model only)



CONVECTION ideal for quicker more even cooking  
(E012562 model only)



KEEPING FOOD WARM

## Thermostat light

---

The thermostat light (H) lights when the oven is on and turns off when the oven reaches the set temperature.



The appliance complies with the following EU directives:

- Low Voltage Directive 2006/95/EC and subsequent amendments;
- EMC Directive 2004/108/EC and subsequent amendments;
- Materials and accessories coming into contact with food conform to European regulation (EC) no. 1935/2004.

## Technical data

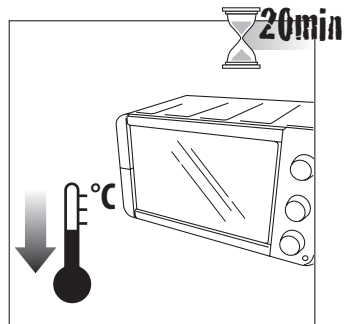
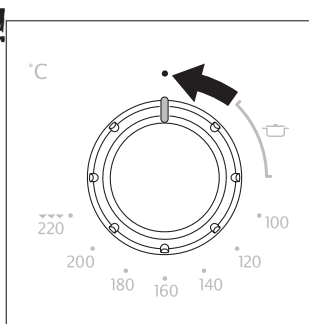
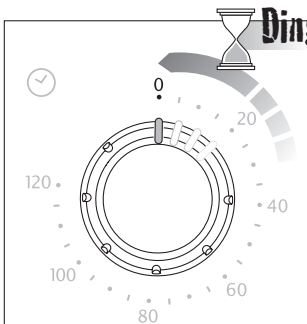
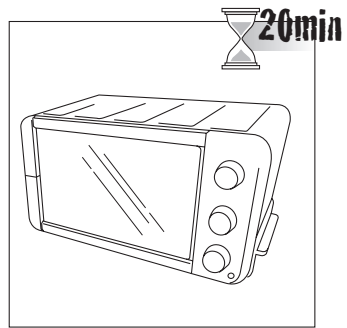
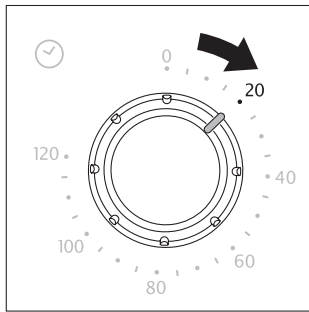
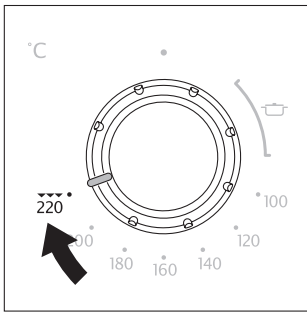
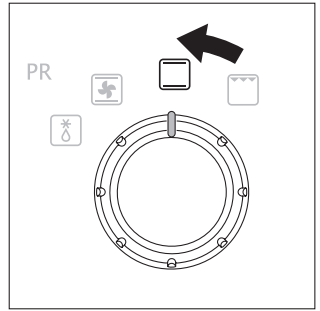
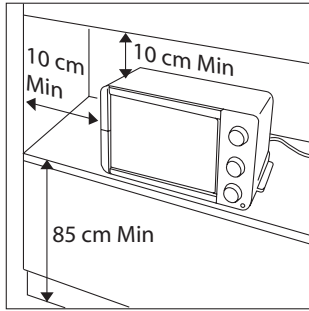
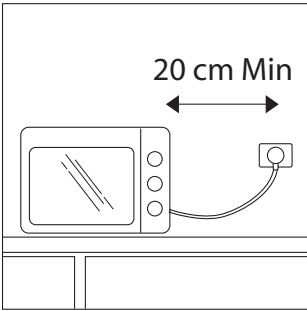
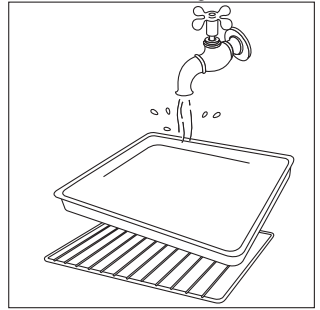
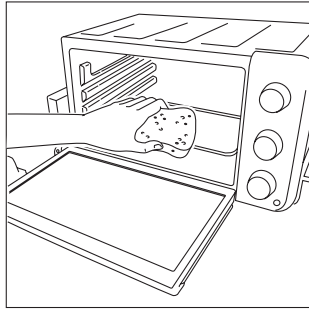
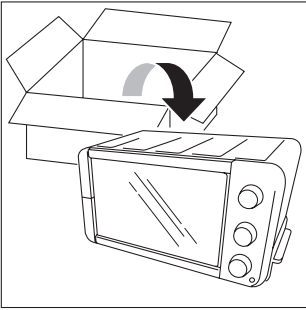
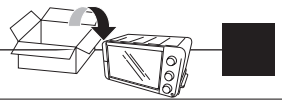
---

Voltage: 220-240 V ~ 50/60Hz

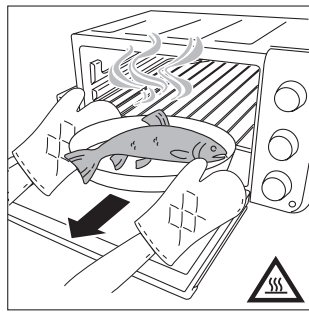
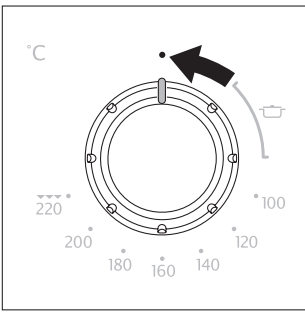
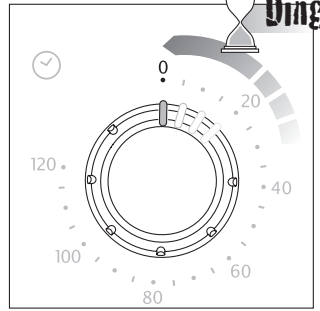
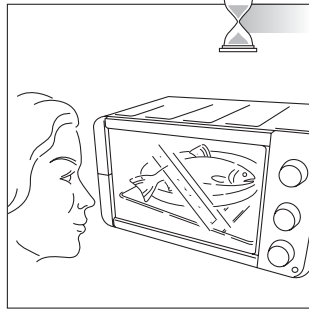
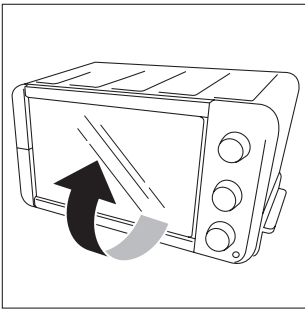
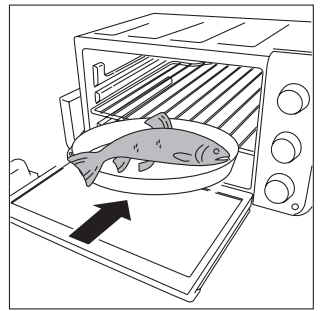
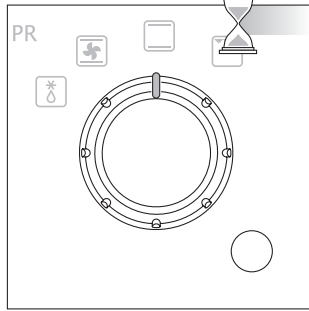
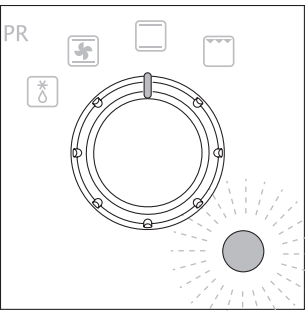
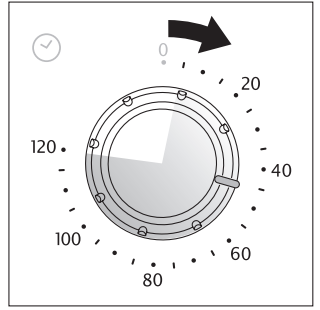
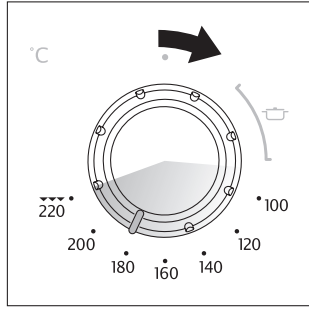
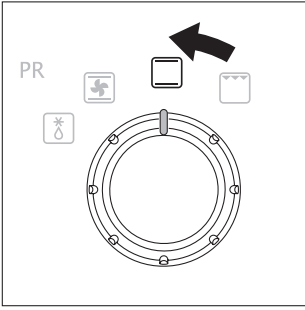
Absorbed power: 1400 W

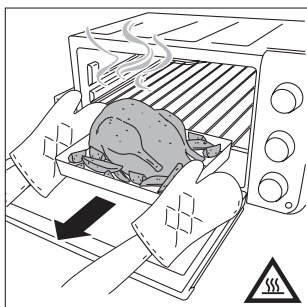
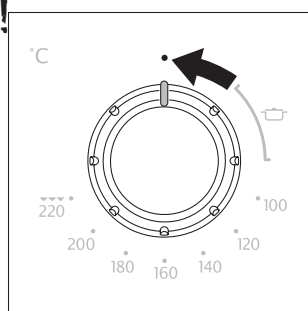
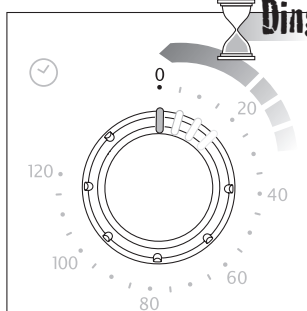
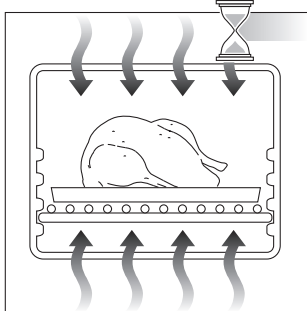
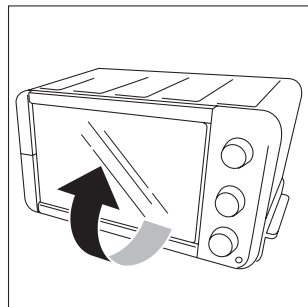
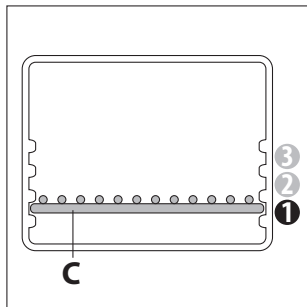
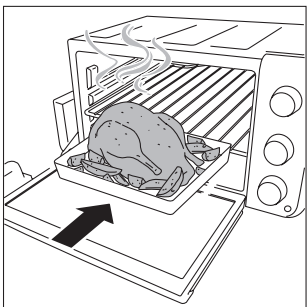
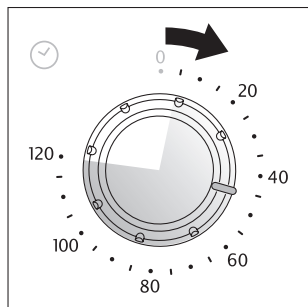
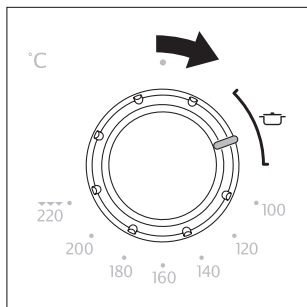
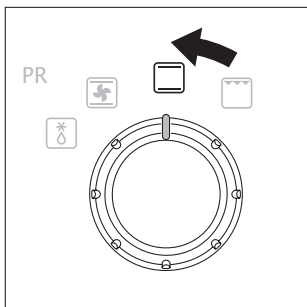
Size LxHxD: 490 x 235 x 370

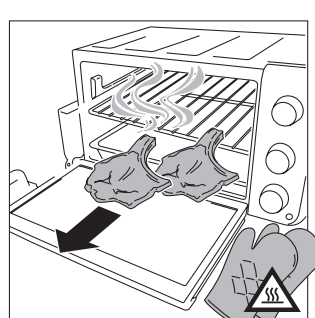
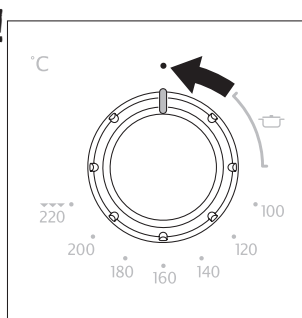
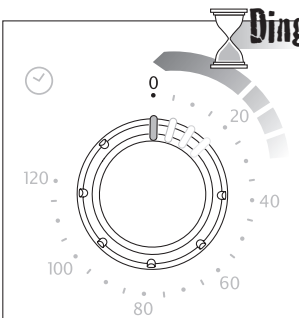
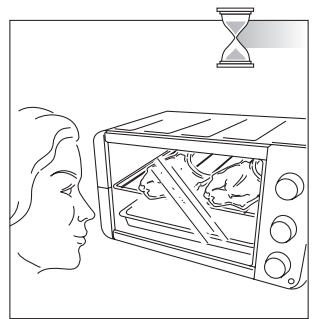
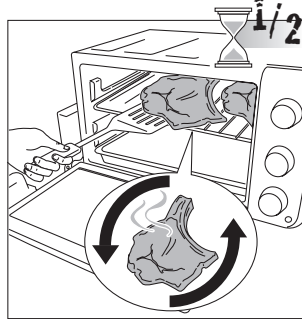
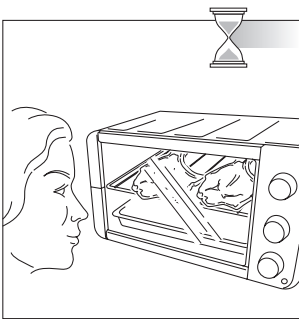
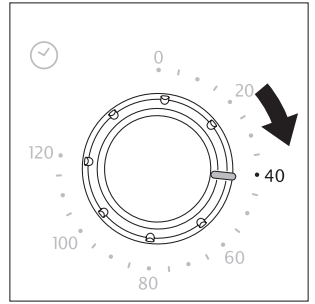
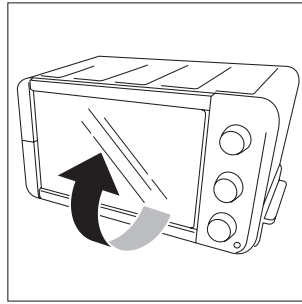
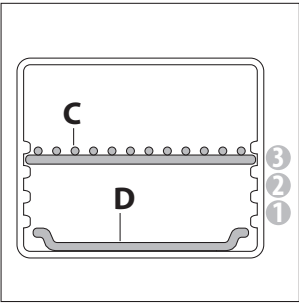
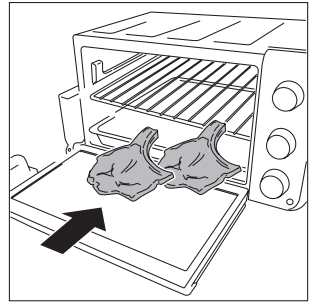
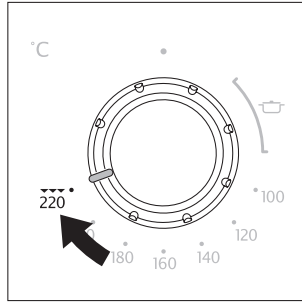
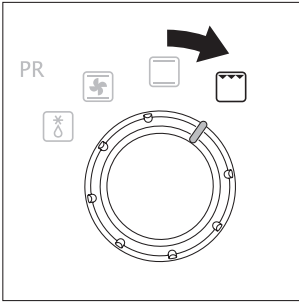
Weight: E012012 6.6 kg - E012562 8.1 kg

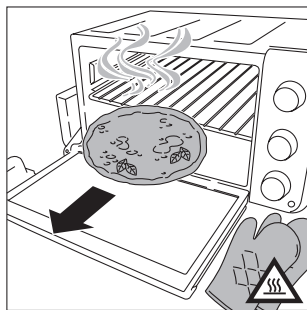
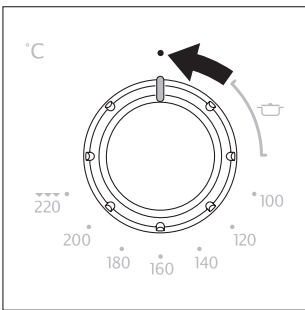
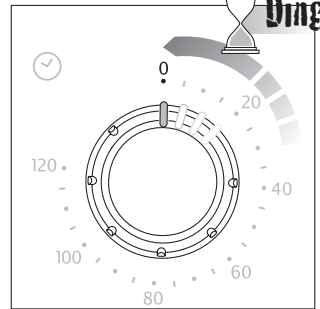
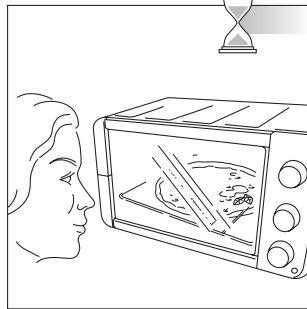
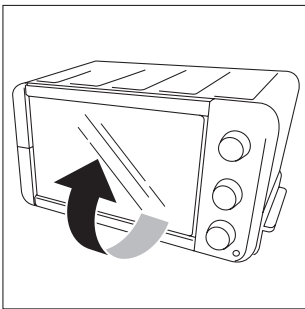
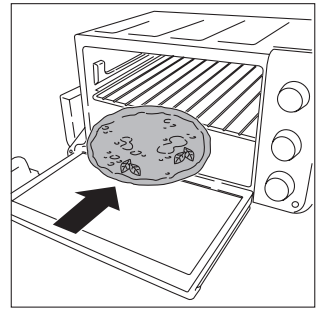
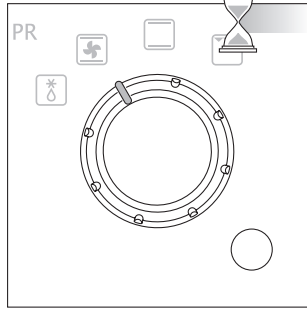
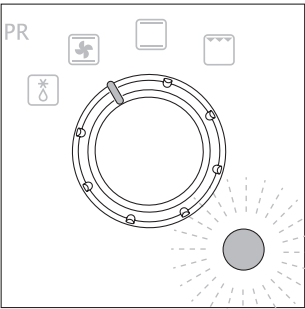
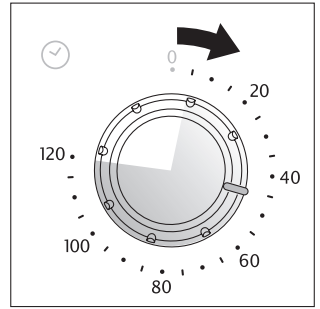
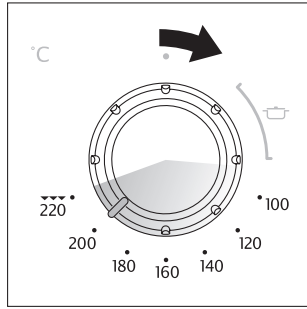
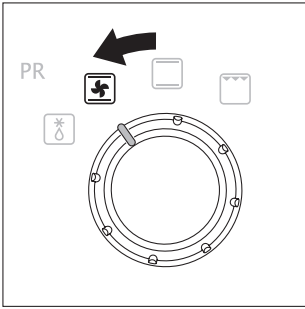


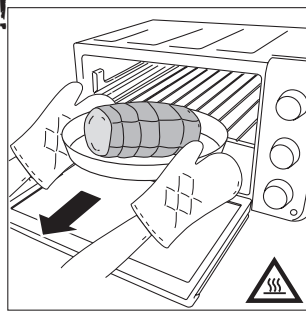
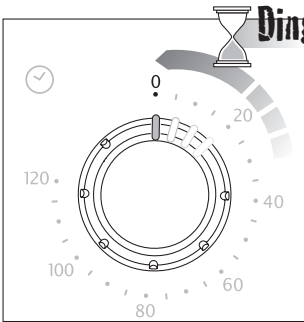
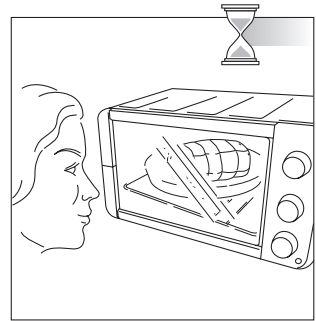
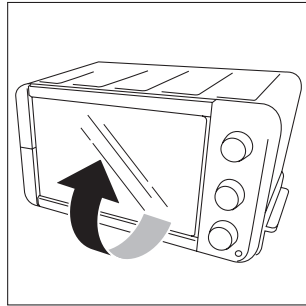
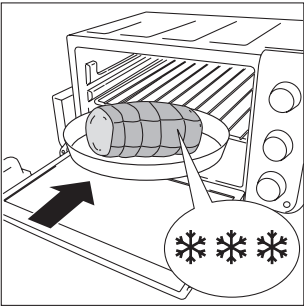
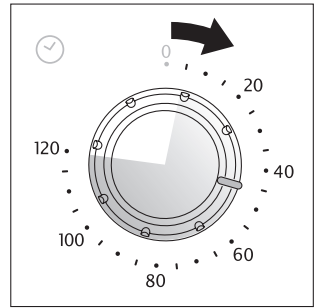
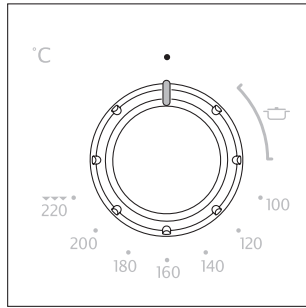
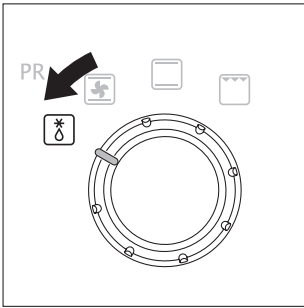


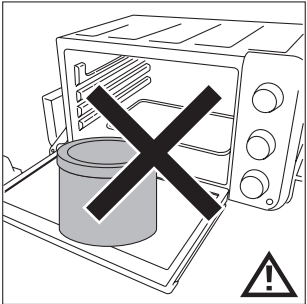
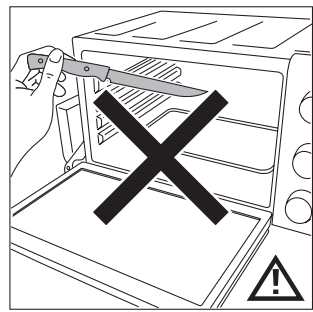
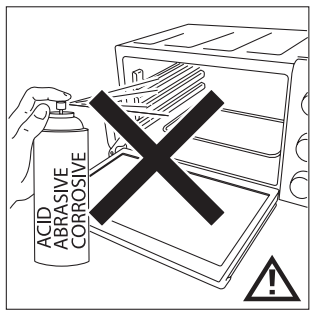
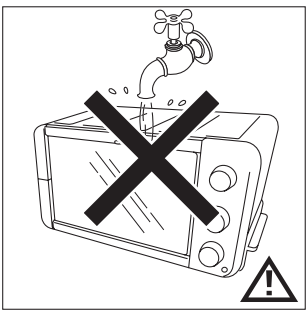
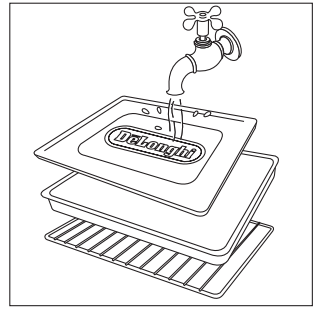
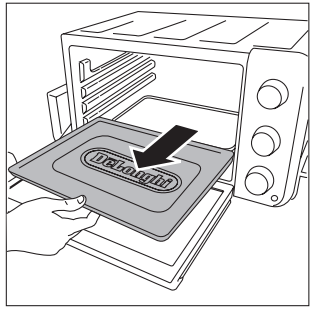
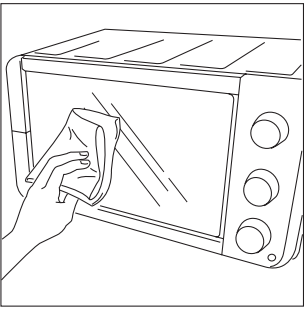
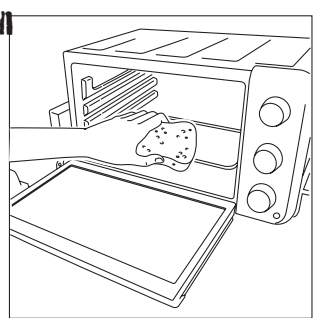
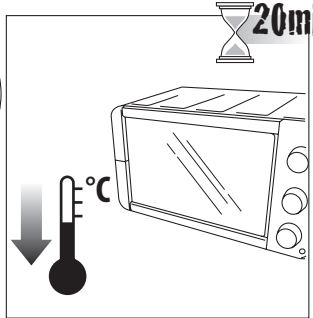
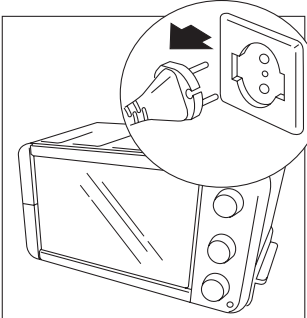



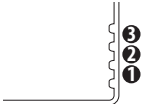
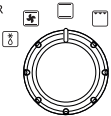



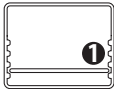






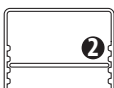






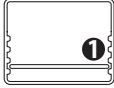






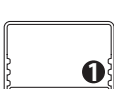


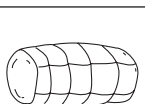







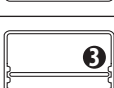


















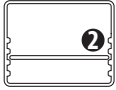










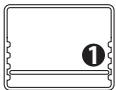







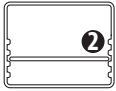













			PR 		
	700g		 	180 °C	35-40 min 30-35 min
	750g			200 °C	30-35 min
	450g		 	200 °C	20-22 min 15-18 min
	500g			180 °C	35-40 min
	1500g			180 °C	35-40 min
	1300g		 	190 °C	100-105 min 80-85 min
	700g		 	200 °C	70-75 min 60-65 min
	1000g		 	190 °C	90-95 min 75-80 min
	800g			180 °C	40-45 min
	2			220 °C	25-30 min

	1000g			200 °C	25-30 min
 ***	1000g			200 °C	65-70 min
					50-55 min
	1000g			200 °C	60-65 min
					55-60 min
	1000g			200 °C	20-25 min
	300g			180 °C	15-20 min
 ***	6			180 °C	15-18 min
					13-15 min
	850g			180 °C	35-40 min
					25-30 min
	850g			180 °C	35-40 min
					25-30 min
	900g			180 °C	35-40 min
					30-35 min
	12			170 °C	25-30 min
					20-25 min
	900g			160 °C	85-90 min