

Proudly distributed by
De'Longhi Australia Pty Limited
P.O. BOX 4540
CASULA MALL NSW 2170
Customer Service Ph: 1800 126 659
Fax: 1800 706932
www.delonghi.com.au
e-mail: delonghi@delonghi.com.au

De'Longhi New Zealand Limited
99 Khyber Pass Road
Grafton 1023
Auckland, New Zealand
P.O. Box 58-056 Botany
MANUKAU 2163
Customer Service Ph: 0508 200 300
Fax: 0508 200 301
www.delonghi.co.nz
e-mail: delonghi@delonghi.co.nz

HCM Series

ELECTRIC CONVECTOR HEATER
Instructions for use



DeLonghi

Fig. 1

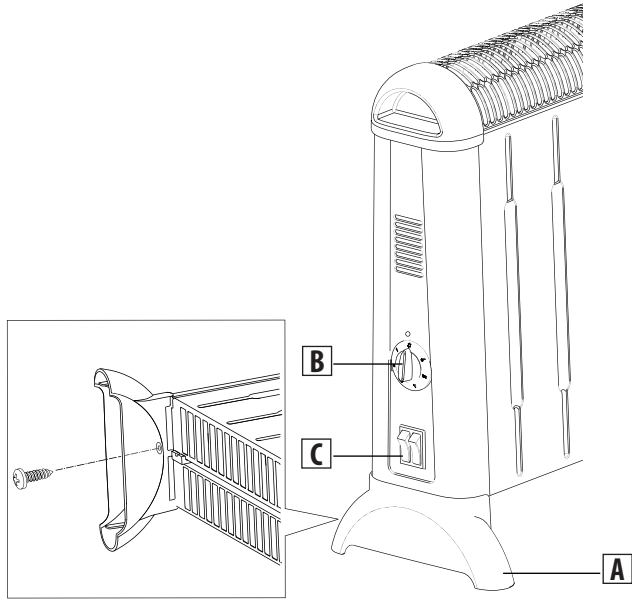


Fig. 2

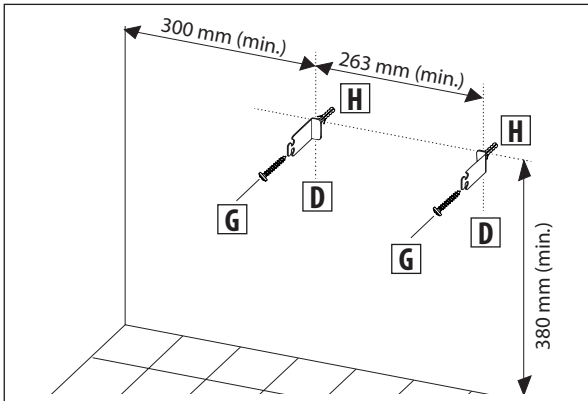
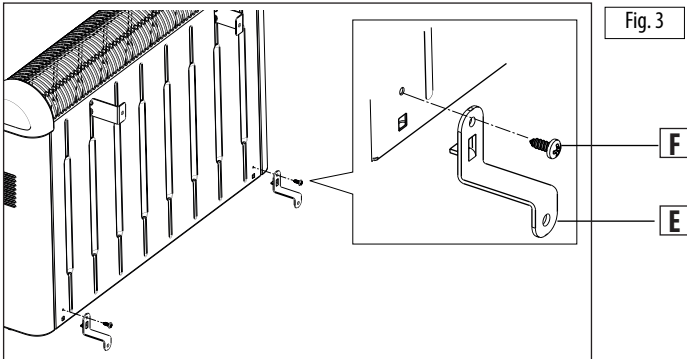


Fig. 3



IMPORTANT WARNINGS

Safety warnings



Danger!

Failure to observe the warning may result in life threatening injury by electric shock.

- This appliance can be used by children aged from 8 years and above and persons with reduced physical, sensory or mental capabilities or lack of experience and knowledge if they have been given supervision or instruction concerning use of the appliance in a safe way and understand the hazards involved. Children shall not play with the appliance. Cleaning and user maintenance shall not be made by children without supervision.
- Children of less than 3 years should be kept away unless continuously supervised.
- Children aged from 3 years and less than 8 years shall only switch on/off the appliance provided that it has been placed or installed in its intended normal operating position and they have been given supervision or instruction concerning use of the appliance in a safe way and understand the hazards involved.
Children aged from 3 years and less than 8 years shall not plug in, regulate and clean the appliance or perform user maintenance.

CAUTION — Some parts of this product can become very hot and cause burns. Particular attention has to be given where children and vulnerable people are present.

- When the heater is used with feet do not use in the vicinity of bathtubs, wash basins, showers, sinks and swimming

pools.

- If you intend to fix your appliance to the wall, make sure that the switch or other control devices are not within reach of persons in the bath or shower.
- If the power cable has been damaged, it must be replaced by the manufacturer or the technical service centre or by a qualified person so as to avoid all risks.
- **ATTENTION:** in order to avoid any danger caused by an accidental resetting of the safety system, this appliance must not be powered through an external timer.
- Do not use the appliance in small rooms when they are occupied by persons that are not capable of leaving the room, unless constant supervision is provided.



Important!


Failure to observe the warning could result in injury or damage to the appliance.

- The appliance must not be located immediately below a fixed socket-outlet.
- The use of an extension lead is not recommended, as overheating of the extension lead may occur during the operation of the heater.



Danger of burns!!

Failure to observe the warning could result in burns or scalds.

- **WARNING:** In order to avoid overheating, never under any  circumstances cover the appliances during operation, as this would lead to dangerous overheating.



Please note:

This symbol indicates recommendations and important information for the user.

- Never use the heater to dry laundry.
- Never place the power cable on top of the heater while it is hot.
- We recommend that you not place the heater in a draught, because strong draughts of air may adversely affect the equipment's operational efficiency.

- Only use the heater in an upright position.
- The heater must be positioned at least 30cm from furniture or other objects.
- The first time you use the appliance, operate it of at least 15 minutes with the thermostat at maximum to eliminate the "new" smell.

A little smoke due to the protective substances applied to the heating element before transport may be given off.

- Do not position the appliance on long hair carpets, in order to avoid obstruction to the air intake grille located under it.
- Do not obstruct the hot air outlet grilles or the air intake grille on the bottom of the appliance.
- Position the appliance so that the plug and the outlet can be easily reached even after installation.
- Do not use the appliance in rooms less than 4m² in area.
- The appliance is fitted with a safety device which will switch the appliance off in case of accidental overheating. To reset, disconnect the plug from the power socket for a few minutes, remove the cause of overheating then plug the appliance in again.

CE The appliance complies with the following EC directive:

- EEC Directive on electromagnetic compatibility (EMC) and subsequent amendments;

Use in compliance with intended use

Use this heater only as described in this manual. All other use is considered improper. This appliance is not suitable for commercial use.

The manufacturer is not liable for damage deriving from improper use of the appliance. This is a household appliance only. It is not intended to be used in:

- staff kitchen areas in shops, offices and other working environments;
- farm houses;
- by clients in hotels, motels and other residential type environments;
- bed and breakfast type environments.

Use in this manner will invalidate the manufacturers warranty.

Fundamental recommendations regarding safety

Dear Customer – The plug on this appliance will get 'warm' during use, this is perfectly normal. This product is A HIGH POWER HEATING APPLIANCE designed to our usual high standards but please make sure your wall sockets are in good condition and the plug is inserted correctly to avoid any accidental overheating.

We suggest that you check the plug AND THE SOCKET regularly

if the heater is in prolonged use, if you are in any doubt please consult an electrician.

INTRODUCTION

Thank you for choosing a De'Longhi product.

Please take a few moments to read the instructions to avoid risks or damage to the appliance.

DESCRIPTION

- A** Feet
- B** Thermostat dial
- C** Switches


Electrical connection

- Before plugging into the mains, make sure the voltage of your mains supply corresponds to the value V indicated on the appliance and that the socket and power line are appropriate for the load required.
- THIS APPLIANCE COMPLIES WITH DIRECTIVE 2004/108/EC ON ELECTROMAGNETIC COMPATIBILITY.

ATTACHING THE FEET

The feet kit consists of:

2 x feet

2 screws 3.9X13 PH 

Tools necessary and estimated mounting time:

Phillips 2x100 screwdriver

Estimated time: 5 minutes

To mount the feet, proceed as follows:

- Turn the appliance upside down on a rug or soft surface to avoid damaging the paint
- Fix the feet with the 2 screws provided as shown in fig. 1.
- Turn the appliance back upright, positioning it with the feet on the floor.

WALL MOUNTING

IMPORTANT: before making the holes in the wall, make sure that:

- a. the appliance is not positioned directly beneath a power socket
- b. after installation, the plug on the appliance reaches the power socket easily
- c. there are no electrical wires or pipes which could be damaged during installation
- d. the appliance is located at a safe distance from curtains or other flammable material

The kit to wall mount your convector heater contains:

D 2 top brackets



E 2 bottom brackets



F 2 screws 3.5x9.5 PH



G 4 screws 4.5x25 PH



H 4 plastic anchors 6x30



Tools necessary and estimated mounting time:

- Drill: 6 mm drill bit suitable for drilling the wall where the appliance will be fixed
- Phillips 2x100 screwdriver
- Estimated time: 30 minutes

Proceed as follows:

- Position the appliance on a stable surface and fix the brackets (E) on the back, using the two screws (F) provided, as shown in fig. 3.
- Mark the fixing positions of the two brackets (D) following the distances shown in fig. 2.
- Drill the holes and insert the two anchors (H).
- Fix the brackets (D) as shown in fig. 2 using the two screws (G).
- Hang the heater on the brackets (D) fixed previously.
- Mark the position of the bracket fixing holes on the wall (E).
- Remove the heater, drill the holes at the points marked previously, then insert the two remaining anchors.
- Hang the heater on the two top brackets (D) and block in place by inserting the two screws (G) in the bottom anchors inserted previously.

Your heater is now mounted on the wall.

OPERATION AND USE

Turning the appliance on

Models with only a thermostat

This appliance can be turned on by rotating its thermostat knob clockwise (B) until it stops at the last possible setting. To turn this appliance off, rotate the knob to its lowest position and remove its plug from the electrical outlet.

Models with a thermostat and two switches

Turn the thermostat dial (B) clockwise to maximum, then press the switches (C) so that the red zone is visible:

- button in position "I" only = minimum power

- button in position "II" only = medium power
- buttons in both positions "I" and "II" = maximum power

Adjusting the thermostat

When the room has reached the desired temperature, turn the thermostat knob slowly in an anti-clockwise direction until you get to the setting — and not beyond it — where you hear a click.

The thermostat will then adjust that set temperature automatically and keep it constant.

If your appliance is the type with 2 switches, you could utilize only one of them during mild seasons and on days not particularly cold. You will thus use little electrical power and obtain even greater savings in energy consumption.

Anti-freeze function (only for models with a thermostat)

Turn the switch (or switches) to make the red area show, then turn the thermostat knob to the ❄️ setting. When so regulated, this appliance will keep a room at a temperature of 5° C. while consuming a minimum of energy.

MAINTENANCE

Always pull the plug out of its electrical outlet before beginning any cleaning.

This electric convector requires no special maintenance. All you have to do is dust it off with a soft, dry cloth — but do so only when the appliance is cold. Never use abrasive powders or solvents.

TECHNICAL CHARACTERISTICS

Power supply	See rating label
Absorbed power	"