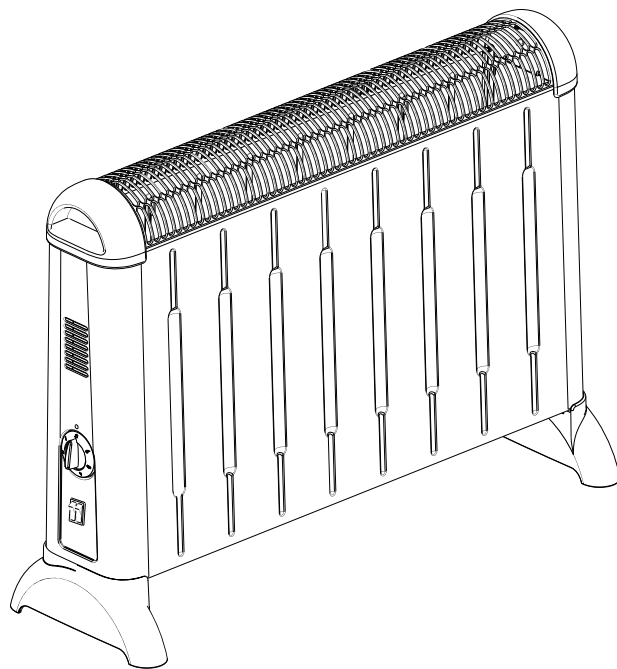


ELECTRIC CONVECTOR HEATER

Instructions for use



Proudly distributed by
De'Longhi New Zealand Limited
25 Carbine Road
Mt Wellington
Auckland, New Zealand
PO Box 58-056
Greenmount
Manukau 2141
Auckland, New Zealand
Customer Service Ph: 0508 200 300
Fax: 0508 200 301
e-mail: delonghi@delonghi.co.nz

De'Longhi Australia Pty Ltd
Po Box 4156
MILPERRA BC NSW 1891
Australia
Customer Service Ph: 1800 126659
Fax: 1800 706932
e-mail: delonghi@delonghi.com.au

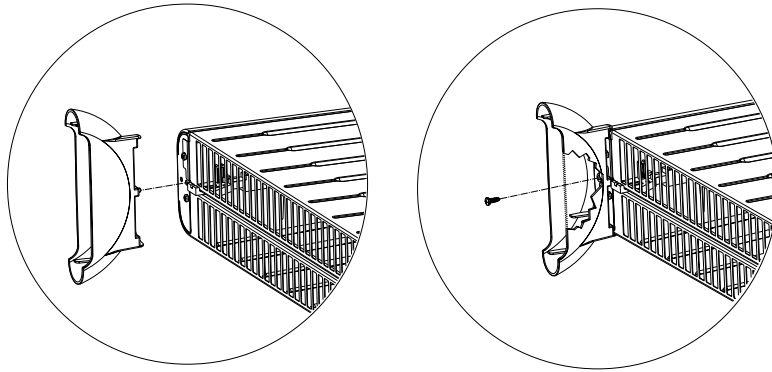


Fig. 1

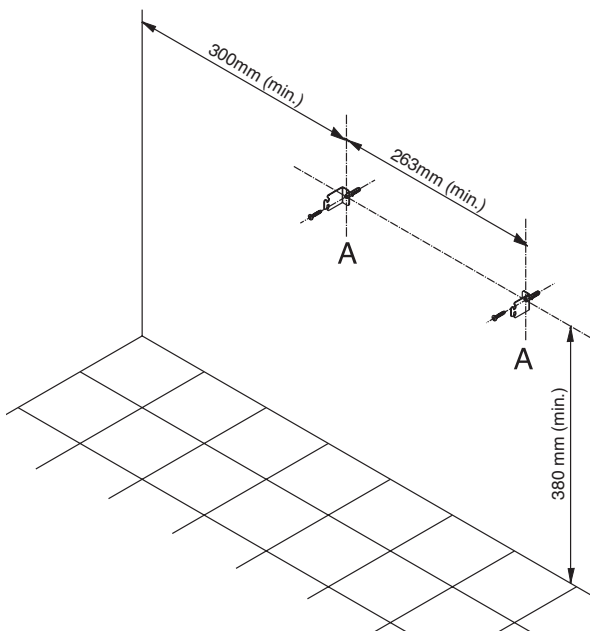


Fig. 3

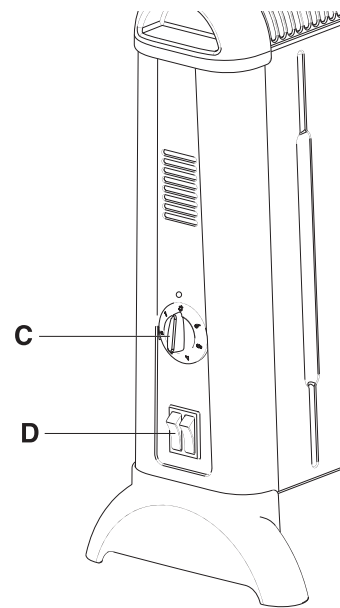


Fig. 2

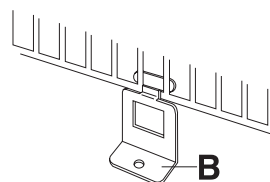


Fig.4

ELECTRICAL CONNECTION

- Before inserting the plug in an electrical outlet, check carefully to be certain that the voltage in your home's electrical system matches the voltage indicated on the appliance and that the socket and main feed are of a size sufficient to power this appliance.
- This appliance complies with EEC Directive 89/336 regarding electromagnetic compatibility.

ASSEMBLING THE FEET

- Fit the feet to the appliance as follows:
- Fasten the feet in position using the screws supplied (see fig. 1).

OPERATION AND USE

Turning the appliance on

Models with only a thermostat

This appliance can be turned on by rotating its thermostat knob clockwise (C) until it stops at the last possible setting. To turn this appliance off, rotate the knob to its lowest position and remove its plug from the electrical outlet.

Models with a thermostat and two switches

Turn the thermostat knob clockwise (C) until it reaches its last possible setting, then press one switch (minimum power) or both switches (D) (maximum power) so the red area becomes visible (fig.2).

Adjusting the thermostat

When the room has reached the desired temperature, turn the thermostat knob slowly in an anti-clockwise direction until you get to the setting — and not beyond it — where you hear a click. The thermostat will then adjust that set temperature automatically and keep it constant.

If your appliance is the type with 2 switches, you could utilize only one of them during mild seasons and on days not particularly cold. You will thus use little electrical power and obtain even greater savings in energy consumption.

Anti-freeze function (only for models with a thermostat)

Turn the switch (or switches) to make the red area show, then turn the thermostat knob to the " * " setting. When so regulated, this appliance will keep a room at a temperature of 5° C. while consuming a minimum of energy.

WALL-MOUNTING

IMPORTANT: before drilling the wall, make sure the area is free of electrical wires or pipes. To fix your convector heater to the wall, use the brackets "A" provided and appropriate two screws and two anchors (provided).

Proceed as follows:

- Fix the brackets "A", making sure the distances are as shown in fig. 3.
- Hang the heater on the two brackets fixed to the wall. Insert the bracket "B" (provided with appliance) in the back of the convector base as shown in fig. 4.
Mark the bracket fixing points on the wall. (When mounted, block the base of the heater in a fixed position to prevent it being removed).
- Remove the heater, drill the wall and insert the anchors.
- Fix the heater again, inserting the bracket "B" into the base of the heater and fixing it to the hole in the wall using the screw (screws and anchor provided).

Now your heater is mounted on the wall.

The appliance must not be positioned directly underneath a fixed power point.

Position the appliance in such a way that the plug is easily accessible even after installation.

MAINTENANCE

Always pull the plug out of its electrical outlet before beginning any cleaning.

This electric convector requires no special maintenance. All you have to do is dust it off with a soft, dry cloth — but do so only when the appliance is cold. Never use abrasive powders or solvents.

HELPFUL ADVICE

Important: to avoid the safety system resetting accidentally, this appliance must not be powered through an external timer.

- The first time you use the appliance, operate it for at least 15 minutes with the thermostat at maximum to eliminate the “new” smell. A little smoke due to the protective substances applied to the heating element before transport may be given off.
- Do not use the convector heater near bath tubs, showers, sinks or swimming pools. The appliance must not be placed directly under a fixed socket.
- Do not rest the power cable on the appliance when hot.
- Always use the heater in a vertical position only.
- Do not obstruct the hot air outlet grilles or the air intake grille on the bottom of the appliance.
- This appliance is not intended for use by persons (including children) with reduced physical, sensory or mental capabilities, or lack of experience and knowledge, unless they have been given supervision or instruction concerning the use of the appliance by a person responsible for their safety. Young children should be supervised to ensure that they do not play with the appliance.
- If the power cable is damaged, it must be replaced by the manufacturer, an authorised service centre or a qualified electrician in order to eliminate all risk.
- Do not use this appliance in rooms measuring less than 4m². You should avoid positioning it in currents of air which could disturb operation of the heater.
- The heater must be positioned 50cm from furniture or other objects.
- As with any electrical appliance, whilst the instructions aim to cover as many eventualities as possible, caution and common sense should be applied when operating your appliance, particularly in the vicinity of young children.
- This appliance is intended only for a domestic use.

A safety device trips and turns the appliance off in the event of overheating or if it is placed in strong currents of air. To reset, unplug the appliance from the mains socket and leave to cool down (about five minutes), remove the cause of overheating, plug back into the mains and turn on again.



WARNING: In order to avoid overheating, never under any circumstances cover the appliances during operation.

CAUTION: In order to avoid a hazard due to inadvertent resetting of the thermal cutout, this appliance must not be supplied through an external switching device, such as a timer, or connected to a circuit that is regularly switched on and off by the utility.