



对流式电暖器

CONVECTOR

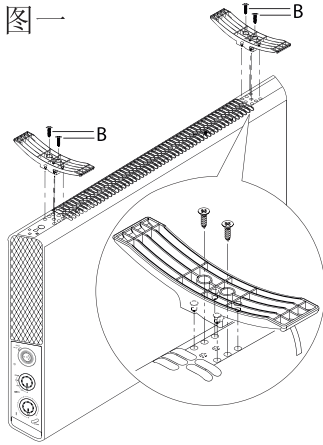
使 用 说 明 书



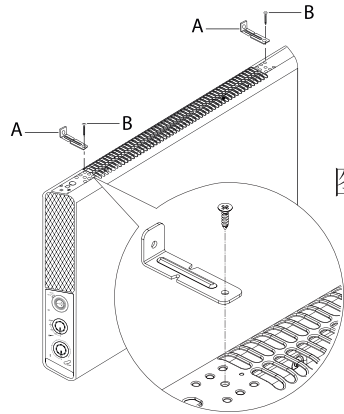
HCX3220FTS / HCX3120FS

目 录

重要的安全警告	2
介绍	3
产品的描述	3
机器的使用	4
机器的保养	5
常见问题的处理	5

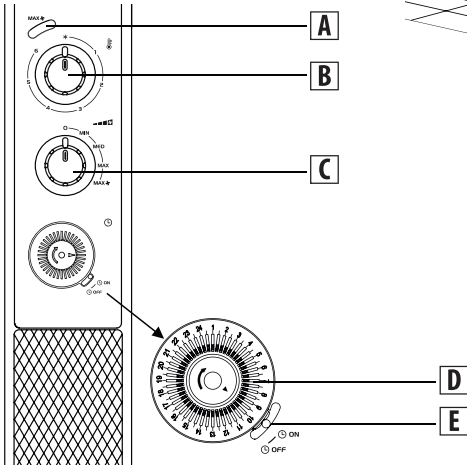
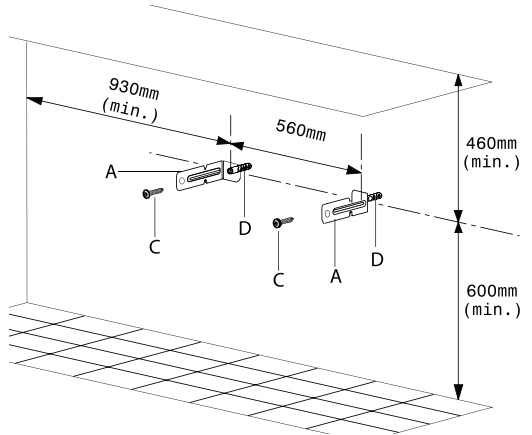


图一



图二

图三



重要的安全警告

安全警告




重要!

本机器不适用于8岁以下的儿童及身体、知觉及精神方面受损的人士或缺乏经验和相关知识的人士(包括孩童)使用,除非在有人监管并知晓危险性的情况下。切勿让孩童玩弄本机器。切勿让孩童进行机器清洗和保养,除非是在有人监督的情况下进行。

-小于3岁的孩童必须远离机器,除非在一直有人监督的情况下。

-3岁以上且8岁以下的孩童,只能在已放置好或已正确安装好的情况下,开启或关闭机器,且必须在有人监督或已知晓如何安全使用机器的情况下才能进行操作。同时还必须知晓本机器的危险性。3岁以上且8岁以下的孩童,不能插机器的电源,调节机器的档位和清洁或保养机器。

请注意-机器的某些部件在使用的过程中会变得很烫,甚至造成烫伤。尤其要注意好孩童和易受伤害的人。

-警告-  为了避免机器过热,在机器运转的过程中不要在机器上覆盖任何东西,这会导致机器过热的危险。

-机器不得直接放置于电源插座的下面。

-当机器使用支撑脚固定时,切勿在浴缸、洗脸盆、淋浴房、游泳池的附近使用此机器。

-如果机器是挂墙安装的,那么安装的位置必须确保浴缸内或淋浴区的人无法接触到机器的开关或其他控制装置。

-如果机器的电源线损坏,必须由制造商或有资质的技术服务中心或有专业资质的人员进行更换,以避免各种危险。

-请注意:为了避免任何危险,机器的安全系统有可能会进行意外重置。故本机器禁止连接外部开关装置。

-机器不能以外接定时器或独立操控控制系统的方式进行使用。

-切勿将机器浸入水中,这会导致危险。

-切勿在狭小的房间内使用本机器。



请注意:

-切勿使用本机器来烘衣服。

-当机器发热时,切勿将电源线放置在机器的顶部。

-建议不要将机器放置在通风的地方,放置在通风的地方会影响机器的使用效能。

-机器使用时,只能垂直放置。

-机器放置的位置必须离家具或其他的物体至少80厘米。

-机器第一次使用时,调到最大功率档,至少运行15分钟,以去除机器的新机的味道。机器运转时会释放出少量的烟,是由于加热管上出厂时的保护物所致,这属于正常现象。

-切勿将机器放置在长毛地毯上,避免堵塞机器底部的空气进风口。

-切勿堵塞空气的进风口和出风口。

-将机器放置在方便接通或断开电源的地方。

-切勿在小于4平方米的房间内使用本机器。

-机器配有防跌倒的安全装置,当机器跌倒或放置在不恰当的位置时,机器会停止工作。

机器会发出一声蜂鸣声,然后关闭。机器垂直放置后,机器可以重新启动。

-机器配有安全装置,如果机器过热,机

器会自动关闭。如需重新启动，请拔下电源插头，让机器冷却几分钟，同时消除造成机器过热的物体，然后再次接通机器的电源。如果这种情况出现好几次，请与德龙售后服务中心联系。

烫伤危险!

- 不建议使用拖线板，在机器使用的过程中有可能导致拖线板过热。

机器的废旧处理

根据欧盟EC2002/96号的指令，切勿将本机器作为一般的城市垃圾进行处理。需将超过使用期限的机器交给专门的垃圾分类中心进行处理。



介绍

感谢您选择德龙的产品。使用前请先花几分钟阅读此说明书，以避免各种危险和损坏机器。

说明书中使用的符号

一些重要的警告和标识都会用以下符号在说明书中标明，必须遵守这些警告。如果不遵守这些警告，有可能导致触电危险、严重的人身伤害、烫伤、着火或损坏机器。

重要!

不遵守这些安全警告，有可能导致人身伤害或损坏机器。

烫伤危险!

不遵守这些警告，有可能导致烫伤或烧伤。

请注意:

对使用者重要的信息和建议都用这些标识来标明。

产品的描述

- A、最大功率档+风扇指示灯
- B、温控旋钮
- C、功率选择旋钮
- D、定时器 (仅限HCX3220FTS)
- E、定时器开关拨片 (仅限HCX3220FTS)

总全介绍

从包装中取出机器。检查并确认机器及机器的电源线是否完好无损。如果机器有损坏，切勿使用。撕下机器上所有的宣传资料。机器可以直接放置使用或挂墙上使用。如果是挂墙上使用，就不必安装机器的支撑脚。


机器的连接

- 在接通电源前，请检查所使用的电压是否与机器铭牌上标识的一致。

- 如果同时使用两台机器，请确认电源设备的功率是否足够。



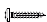

安装机器的支撑脚

将机器垂直倒置在一块垫子或柔软的表面，以避免损坏机器表面的喷漆。

用机器配置的四个螺丝B将支撑脚固定到机器上  (如图一)，每个支撑脚用两颗螺丝。

挂墙安装机器

挂墙安装包清单如下：

- 4个金属支架 (A) 
- 4颗4.8*13螺丝 (B) 
- 4颗4.5*25螺丝 (C) 
- 4颗塑料的螺丝固定套管6*30 (D) 

安装所需的工具和安装时间

2*100的螺丝刀

预计安装时间：30分钟

在安装机器前，请先确认以下信息：

- a. 机器不得置于电源插座的下面。
- b. 机器安装好后，插头和插座要方便拔插。
- c. 在安装的过程中不会损坏电源线或其他管子。
- d. 安装的位置必须远离窗帘或易燃物体。

请按如下步骤进行挂墙安装：

将机器倒置在一个平整、稳固的表面上。用螺丝刀将两个支架 (A) 用螺丝 (B) 固定在机器上 (如图二)。

在混凝土墙面上钻6mm的小孔。

对于石灰墙或空心墙，建议使用额外的适当的螺丝或套管再加固一下(未提供)。



- 1、在墙上打孔之前，请先标记打孔的位置，两个孔之间的最小距离参考图三。
- 2、在标记的位置打孔，然后插入塑料的螺丝固定套管 (D)。
- 3、用配备的螺丝 (C) 固定2个金属支架 (A)。
- 4、将机器放置在支架上。
- 5、在墙上标记另外两个打孔的位置。然后取下机器，在刚才标记的位置打孔，最后再插入塑料的螺丝固定套管 (D)。

6、现在你可以将机器安装到支架上，然后用剩下的两个螺丝 (C) 固定。

机器的使用

机器的操作和作用方法

接通电源，将温控旋钮旋转至最大的位置，然后旋转功率选择旋钮 (C) 开启机器。



- 将功率旋钮旋转至Min (最小功率) 的位置，选择最小功率档
- 将功率旋钮旋转至Med (中等功率) 的位置，选择中等功率档
- 将功率旋钮旋转至Max (最大功率) 的位置，选择最大功率档
- 功率旋钮旋转至Max  (最大功率+风扇) 的位置，选择最大功率+风扇档
- 如需完全关闭机器：将功率旋钮旋转至“0”的位置，同时将温控旋钮旋转至  的位置，然后拔下电源的插头。

调节温度


当室内达到所需的温度时，慢慢地逆时针旋转温控旋钮 (B)，直到听到一声咔嚓声。

机器会自动地保持在设定的温度。在春季、秋季或温和的天气，你可以选择最小功率档，这样可以节能。

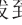

防霜冻模式

将温控旋钮旋转至  的位置，并将功率选择旋钮旋转至任意档位 (是指最小功率 (min)、中等功率 (med)、最大功率 (max)、最大功率风扇 (max )) 四个档位)，机器会将室温控制在5℃左右，以防止霜冻，同时机器以最小的功率运转，节能环保。

通风模式

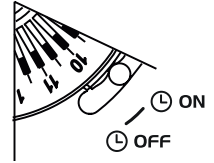
机器有两个风扇，可以加速机器运转，甚至可以加快加热。如需启动该功能，请将功率选择旋钮旋转至Max  的位置。

24小时定时器

机器接通电源后，定时器始终在运转（机器不通电的情况下，定时器不运转。），以保持与当地时间同步。如需要关闭定时器，请将定时器拨片(E)拨到  OFF 的位置。如需要设置的时间启动定时器，请将定时器的拨片拨到  ON 的位置，具体的操作步骤如下：

- 根据时钟或手表确认当前时间。例如现在是10:00，将定时器旋钮旋转至定时器上标注10的位置。
- 往外拨定时器的齿拨来设定机器的运作时间(如图所示)，每个齿拨之间的间隔

时间为30分钟。设置完成后，可以看到所设置的时间段。



- 设置完成后，机器每天会在设置的时间段自动的运转（重要：机器必须始终接通电源）。
- 如需改变设置，请将定时器的齿拨往里拨，然后再设置新的时间段。
- 如需关闭机器，请将功率旋钮旋转至“0”的位置。

机器的保养

在进行保养之前，请先拔下电源插头，并等待机器完全冷却。这个机器不需要特殊的保养。用一块柔软的干布擦掉灰尘就可以了切勿使用具有研磨性的粉或溶剂来清洗机器。如有必要，特别脏的地方可以用吸尘器进行清洁。

常见问题的处理

问题	原因	解决方法
机器不工作	检查机器是否接通电源，所使用的插座是否工作	接通电源
	检查机器是否阻塞	取出阻塞物，拔下电源插头，并等待机器冷却。如果机器还是不工作，请与德龙售后服务中心联系。
	功率选择旋钮处于“0”的位置	将功率选择旋钮旋转至最小、中等、最大、最大+风扇的位置
	温度设置得太低	顺时针旋转温控旋钮，调至一个更高的温度，直至机器重新启动
	设置了定时器	确认定时器已按当地时间来设置，并确认定时器齿轮的位置

Fig. 1

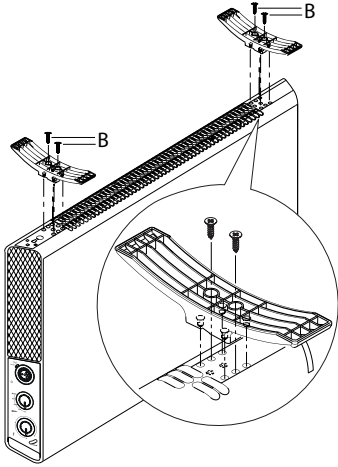


Fig. 2

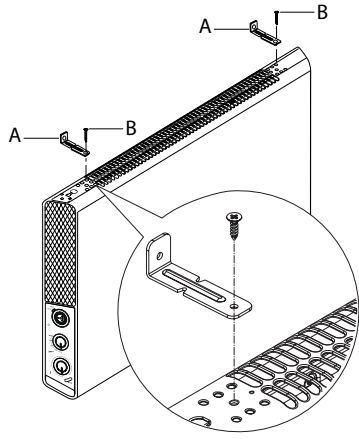
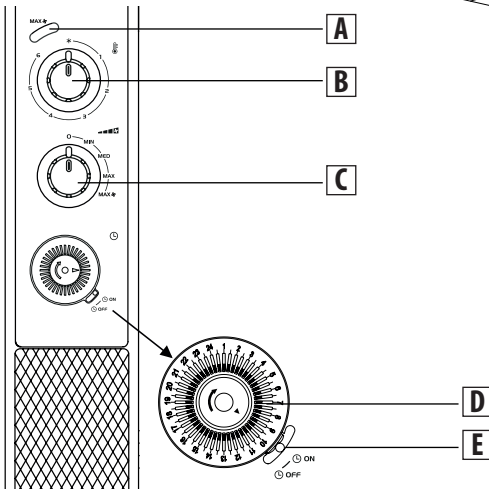
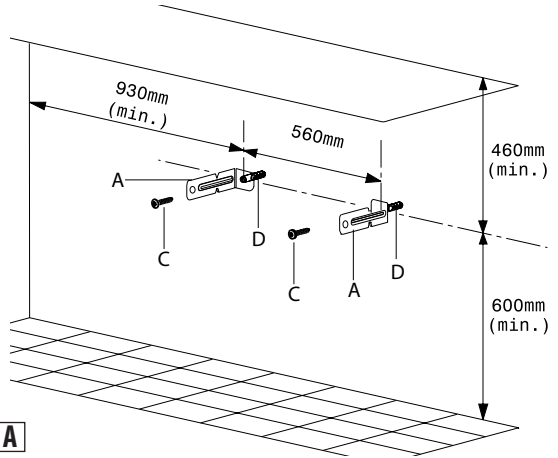


Fig. 3



IMPORTANT WARNINGS

Safety warnings



Important!

- This appliance can be used by children aged from 8 years and above and persons with reduced physical, sensory or mental capabilities or lack of experience and knowledge if they have been given supervision or instruction concerning use of the appliance in a safe way and understand the hazards involved. Children shall not play with the appliance. Cleaning and user maintenance shall not be made by children without supervision.
- Children of less than 3 years should be kept away unless continuously supervised.
- Children aged from 3 years and less than 8 years shall only switch on/off the appliance provided that it has been placed or installed in its intended normal operating position and they have been given supervision or instruction concerning use of the appliance in a safe way and understand the hazards involved. Children aged from 3 years and less than 8 years shall not plug in, regulate and clean the appliance or perform user maintenance. CAUTION — Some parts of this product can become very hot and cause burns. Particular attention has to be given where children and vulnerable people are present.
- **WARNING:** In order to avoid overheating, never under  any circumstances cover the appliances during operation, as this would lead to dangerous overheating.
- The appliance must not be located immediately below a fixed socket-outlet.
- When the heater is used with feet do not use in the vicinity of bathtubs, wash basins, showers, sinks and swimming pools.
- If you intend to fix your appliance to the wall, make sure that the switch or other control devices are not within reach of persons in the bath or shower.
- If the power cable has been damaged, it must be replaced by the manufacturer or the technical service centre or by a qualified person so as to avoid all risks.
- ATTENTION: in order to avoid any danger caused by an accidental resetting of the safety system, this appliance must not be powered through an external timer.
- Do not use the appliance in small rooms when they are occupied by persons that are not capable of leaving the room, unless constant supervision is provided.



Please note:

- Never use the heater to dry laundry.
- Never place the power cable on top of the heater while it is hot.
- We recommend that you not place the heater in a draught, because strong draughts of air may adversely affect the equipment's operational efficiency.
- Only use the heater in an upright position.
- The heater must be positioned at least 80cm from furniture or other objects.
- The first time you use the appliance, operate it of at least 15 minutes with the thermostat at maximum to eliminate the "new" smell. A little smoke due to the protective substances applied to the heating element before transport may be given off.
- Do not position the appliance on long hair carpets, in order to avoid obstruction to the air intake grille located under it.
- Do not obstruct the hot air outlet grilles or the air intake grille on the bottom of the appliance.
- Position the appliance so that the plug and the outlet can be easily reached even after installation.
- Do not use the appliance in rooms less than 4m² in

area.

- A tip over safety device turns the appliance off if it falls over or is positioned inappropriately in such a way as to jeopardise safety.

The appliance emits a beep and turns off. The appliance resumes operation after being placed in an upright position again.

- The appliance is fitted with a safety device which will switch the appliance off in case of accidental overheating. To reset, disconnect the plug from the power socket for a few minutes, remove the cause of overheating then plug the appliance in again. If this abnormal situation happens several times, please contact the customer service.



Danger of burns!!

- The use of an extension lead is not recommended, as overheating of the extension lead may occur during the operation of the heater.



The appliance complies with the following EC directives:

- Low Voltage Directive 2006/95/EC and subsequent amendments;
- EEC Directive 2004/108 on electromagnetic compatibility (EMC) and subsequent amendments;

Disposing of the appliance



In compliance with European directive 2002/96/EC, the appliance must not be disposed of with household waste, but taken to an authorised waste separation and recycling centre.

INTRODUCTION

Thank you for choosing a De'Longhi product.

Please take a few moments to read the instructions to avoid risks or damage to the appliance.

Symbols used in these instructions

Important warnings are identified by the symbols below.

It is important to respect the warnings.

Failure to respect the warnings could lead to electric shock, serious injury, burns, fire or damage to the appliance.



Important!

Failure to observe the warning could result in injury or damage to the appliance.



Danger of burns!!

Failure to observe the warning could result in burns or scalds.



Please note:

This symbol indicates recommendations and important information for the user.

DESCRIPTION

- A** Max + Fan indicator light
- B** Thermostat
- C** Power selector
- D** Timer
- E** Slider

General instructions

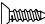
Remove the heater from the packaging. Check that neither the heater nor the power cable has been damaged during transport. Do not operate the heater if damaged. Remove all publicity material present on the appliance. The appliance is suitable for free-standing or wall-mounted usage. Do not assemble the feet if wall-mounted.

Electrical connection

- Before connecting the appliance to the current outlet, check that the voltage indicated on the appliance rating plate is the same as your electric plant and that it can stand the power consumption (Watt) indicated by the labelling.
- If more than one appliance is used at once, it is important to ensure that the electric plant is able to support the power required.

Mounting the feet

Turn the appliance upside down on a rug or soft surface in order to prevent damaging the paint finish.

Fix the feet to the appliance with the nr. 4 screws B supplied  (see fig. 1), 2 screws for each foot.

Wall-Mounting Installation

The wall mounting kit contains:

4 metal brackets (A)

2 screws 4,8x13 PH (B)

4 screws 4,5x25 PH (C)

4 plastic anchors 6x30 (D)



Required tools for assembly and estimated assembly time

Screwdriver PH 2 x 100 (Phillips type)

Estimated assembly time: 30 minutes

Before installing the unit, make sure of the following:

- a. The appliance must not be located directly**

beneath a current outlet.

- b. **The plug and outlet must be easy to reach after installation.**
- c. **No electric cables or other pipes could be damaged during the installation.**
- d. **Keep away from curtains or flammable materials.**

To wall-mount, proceed as follows:

Turn the appliance upside down on a flat stable surface. Using a screwdriver, fix the 2 brackets A with the 2 screws B as shown in Fig. 2.

For brick walls use a 6 mm concrete drill bit.

For plaster board or false (hollow) walls, it is recommended to use appropriate screws and anchors (not supplied).

1. Before drilling the wall, mark the exact points, respecting the minimum distances as shown in fig. 3.
2. Drill the wall where previously marked, and insert the plastic anchors D.
3. Fix the 2 metal brackets A using the two screws C provided.
4. Hang the appliance on the bracket.
5. Mark out the 2 lower fixing points. Remove the appliance, drill the lower holes and insert the wall anchors D.
6. Now, you can hang back the heater on the bracket and fix the lower part of the appliance with the 2 remaining screws C.

USE

Operation and use

Plug into the mains, turn the thermostat dial (B) to maximum and turn the appliance on by means of the power selector (C) (see description) as described below:

- Turn the power selector knob to the **Min** position to select minimum power.
- Turn the power selector knob to the **Med** position to select medium power (only in some models).
- Turn the power selector knob to the **Max** position to select maximum power.
- Turn the power selector knob to the **Max** ✱ position to select maximum power with the fan (the MAX + FAN indicator light comes on).
- To turn the appliance off completely: turn the power selector to the "0" position and the thermostat to the " ✱ " position, then unplug from the mains.

Adjusting the thermostat

When the room has reached the required temperature, turn the thermostat dial (B) slowly anticlockwise until you hear a click and no further.

The thermostat will automatically regulate the temperature

set and keep it constant. In spring or autumn or on mild days, you can save energy by using minimum power.

Frost prevention mode

With the thermostat dial (B) in the ✱ position and one of the power levels selected, the appliance maintains room temperature at about 5°C, preventing freezing with minimal energy consumption.

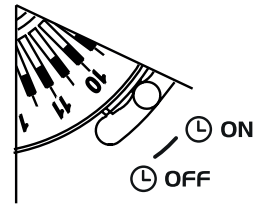
Models with ventilation

The appliance has 2 fans for faster more even heating. To start this function, turn the power selector (C) to Max ✱.

Models with 24 hour timer

When the appliance is plugged to the mains the timer is always in turning movement, in order to stay synchronized with the local time. To operate the appliance without the timer, place the timer slider (E) in the ⓐ OFF position. To operate the appliance at set times, position the slider in the position ⓑ ON and proceed as follows:

- Check the time on your clock or watch. If it is 10.00 for example, turn the numbered programmer disk until the number 10 coincides with the pointer marked on the programmer.
- Set the periods of time during which you want the appliance to operate by pushing the teeth outwards (see figure). Each tooth corresponds to a period of 30 min. At the end of this procedure, sectors corresponding to the operating periods can be seen.
- In this way, the appliance will function automatically each day at the times set. (Important: the appliance must always be plugged into the socket)
- To modify programming, return the teeth to the initial position and set the new operating periods.
- To turn the appliance off, turn the power selector to the "0" position.




MAINTENANCE

Before carrying out any maintenance, unplug the heater from the mains and wait for it to cool off completely. This heater requires no particular maintenance. It is sufficient to remove the dust with a soft, dry cloth. Never use abrasive powders or solvents. If necessary remove concentrated areas of dirt with a vacuum cleaner.

TECHNICAL CHARACTERISTICS

Power supply	See rating label
Absorbed power	"

TROUBLESHOOTING

PROBLEM	CAUSE	SOLUTION
The appliance doesn't work	Be sure it is plugged in and that the electrical outlet is working.	Plug into the outlet.
	Check for any obstruction.	Remove the obstruction, unplug the heater and let the appliance cool down. If the appliance doesn't work please contact the nearest service center.
	The power selector is in the "0" position.	Turn the power selector to the position MIN, MED, MAX, MAX  .
	The thermostat may be set too low.	Turn the thermostat clockwise to a higher setting until the heater restarts.
	Setting the timer	Make sure the timer is correctly set to local time and check the position of the teeth.

ELECTRICAL CONNECTION (UK ONLY)

- A) If your appliance comes fitted with a plug, it will incorporate a 13 Amp fuse. If it does not fit your socket, the plug should be cut off from the mains lead and an appropriate plug fitted, as below. With alternative plugs not incorporating a fuse, the circuit must be protected by a 15 Amp fuse. If the plug is a moulded-on type, the fuse cover must be re-fitted when changing the fuse using a 13 Amp Asta approved fuse to BS 1362. In the event of losing the fuse cover, the plug must NOT be used until a replacement fuse cover can be obtained from your nearest electrical dealer. The colour of the correct replacement fuse cover is that as marked on the base of the plug.
WARNING: Very carefully dispose of the cut off plug after removing the fuse: do not insert in a 13 Amp socket elsewhere in the house as this could cause a shock hazard.
- B) UK Plug specifications: please follow the instructions provided below.

IMPORTANT

The wires in the mains lead are coloured in accordance with the following code:

Blue: Neutral

Brown: Live

As the colours of the wires in the mains lead may not correspond with the coloured markings identifying the terminals in your plug, proceed as follows:

The blue wire must be connected to the terminal marked with the letter N or coloured black.

The brown wire must be connected to the terminal marked with the letter L or coloured red.

If you have a 3-pins plug, do not connect any wire to the "earth" terminal.



★若有任何需求请与下述地址联系：

☆ 邑隆贸易(上海)有限公司

地址：上海市中山北路3553号伸大厦2001-2016室

电话：(021) 3135 8858 传真：(021) 3135 8262 邮编：200062

客户热线：400 827 1668 网址：www.delonghi.com.cn