

---

# HFX30 Series

## RADIATEUR SOUFFLANT CÉRAMIQUE

Mode d'emploi . Conservez cette notice

Visitez [www.delonghi.com](http://www.delonghi.com) pour y voir une liste des centres de répara-

tion proches de chez vous.

### CARACTÉRISTIQUES ÉLECTRIQUES

120 V~ 60 Hz 1500 W

## INSTANT CERAMIC HEATER

Instructions for use. Keep these instructions

Visit [www.delonghi.com](http://www.delonghi.com) for a list of service centers near you.

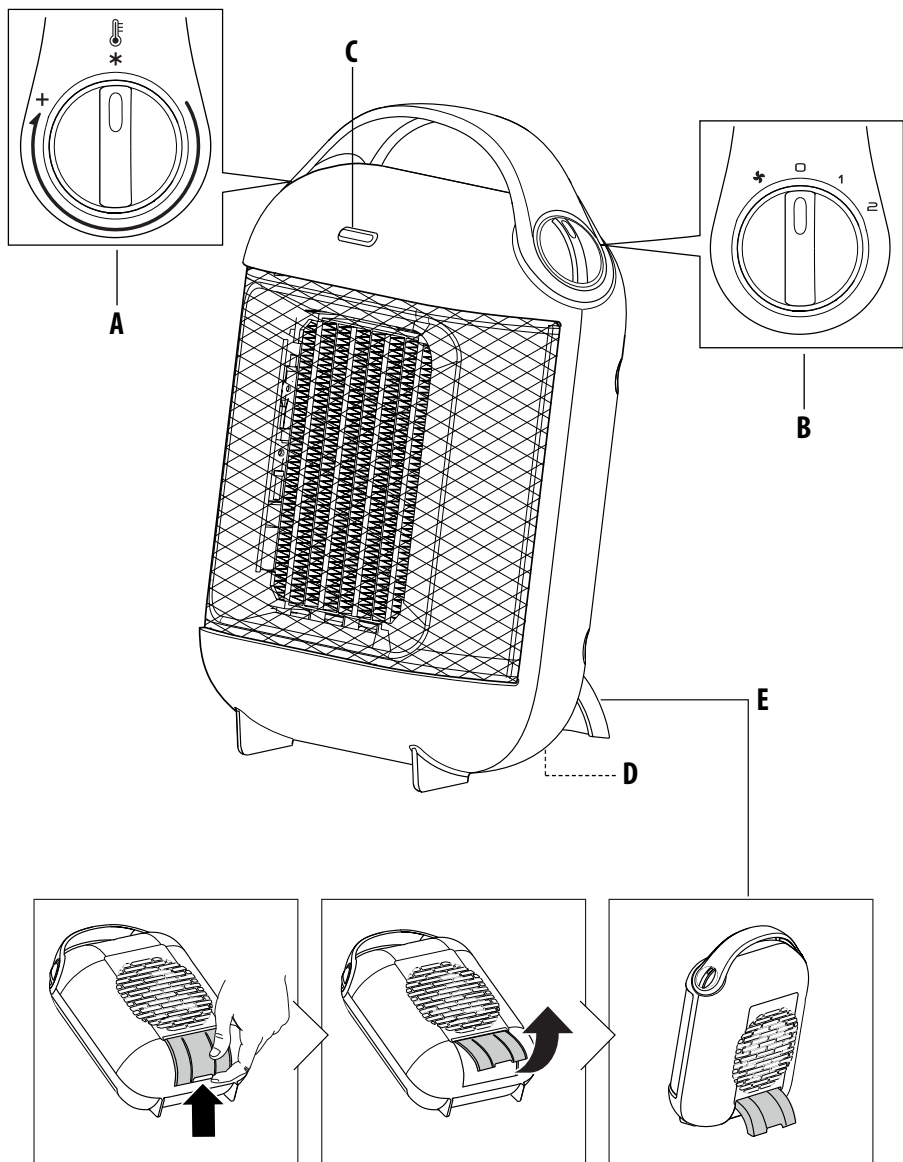
### ELECTRIC CHARACTERISTICS

120 V~ 60 Hz 1500 W



---

The DeLonghi logo, featuring the brand name in a stylized font inside a rounded rectangular border.



**Register Now**   
[www.delonghi.com/register](http://www.delonghi.com/register)

[www.delonghi.com](http://www.delonghi.com)

# IMPORTANT SAFEGUARDS

When using any electrical appliance, some basic safety precautions should always be observed to reduce the risk of fire, electric shock, and/or injury to persons. Read all instructions carefully before using the appliance. Specifically:



Failure to observe the warning may result in life threatening injury by electric shock.

- The appliance must not be placed immediately under a fixed power socket.
- Do not use the appliance outdoors.
- **Do not operate any heater with a damaged cord or plug or after the heater malfunctions, has been dropped or damaged in any manner. Return heater to authorized service facility for examination, electrical or mechanical adjustment, or repair.**
- This heater is not intended for use in bathrooms, laundry areas and similar indoor locations. Never locate heater where it may fall into a bath tub or other water container.
- If the power cable is damaged, stop using the product. Power cable must be replaced by the manufacturer, an authorised service centre or a qualified electrician in order to eliminate all risk.
- Do not use this heater in the immediate surroundings of a bath, a shower and sinks or a swimming pool.
- Do not insert or allow foreign objects to enter any ventilation or exhaust

opening as this may cause an electric shock, fire, or damage the heater.

- **CAUTION: to prevent electric shock match wide blade of plug to wide slot, then fully insert.**
- CAUTION: In order to avoid a hazard due to inadvertent resetting of thermal cutout, this appliance must not be supplied through an external switching device, such as a timer, or connected to a circuit that is regularly switched on and off by the utility.
- If you intend to fix your appliance to the wall, make sure that the switch or other control devices are not within reach of persons in the bath or shower.



Failure to observe the warning could result in injury or damage to the appliance.

- The appliance is not intended for use by persons (including children) with reduced physical, sensory or mental capabilities, or lack of experience and knowledge, unless they have been given supervision or instruction concerning use of the appliance by a person responsible for their safety. Children should be supervised to ensure that they do not play with the appliance.
- **CAUTION — Some parts of this product can become very hot and cause burns.**
- Extreme caution is necessary when any heater is used by or near children and whenever the heater is left operating and unattended.
- Always disconnect the plug from the power outlet when the appliance is


not in use.

- Do not wrap the cord around the appliance immediately after use.
- The internal parts of the appliance can become very hot or produce sparks during operation. Do not use the appliance in areas where gasoline, paints, or other flammable liquids are used or stored.
- Use this heater only as described in this manual. Any other use not recommended by the manufacturer may cause fire, electric shock, or injury to persons.
- To prevent overload and blown fuses, be sure that no other appliance is plugged into the same outlet (receptacle) or into another outlet (receptacle) wired into the same circuit.
- Make sure that the plug is fully inserted into the outlet.  
Wall outlets may deteriorate with time, so check the plug periodically for signs of overheating or deformation. If the outlet has deteriorated, stop using it and have it repaired.
- Do not use the appliance in small rooms when they are occupied by persons that are not capable of leaving the room, unless constant supervision is provided.



**Danger of burns!!**

Failure to observe the warning could result in burns or scalds.

- **WARNING:** To avoid overheating, never under  any circumstances cover the appliance during operation as this

would lead to a dangerous rise in temperature, and risk of fire.

- Do not use the appliance on soft surfaces, such as beds, where the openings may become blocked.
- This heater is hot when in use. To prevent burns, do not let bare skin touch hot surfaces. Use handle when moving this heater. To prevent burns, do not touch hot surfaces with bare skin. Use the handle when moving the appliance. Keep all flammable materials, such as furniture, pillows, bedding, paper, clothing, and curtains at least 90 cm (3 feet) from the front and top of the appliance also avoid contact with the sides and back.
- Do not run cord under carpeting. Do not cover cord with throw rugs, runners, or the like. Arrange cord away from traffic area and where it will not be tripped over.
- It is normal for the heater's plug and cord to feel warm to the touch. A plug or cord which becomes hot to the touch or becomes distorted in shape may be a result of a worn electrical outlet. Worn outlets or receptacles should be replaced prior to further use of the heater. Plugging heater into a worn outlet /receptacle/ may result in overheating of the power cord or fire.
- **WARNING:** Do not cover the appliance while it is functioning in order to avoid overheating which may cause risk of fire.

**Symbol meaning**



This symbol indicates:  
(If provided) Class II equipment



**Please note:**

This symbol indicates recommendations and important information for the user.

- If your appliance is equipped with a polythene tape used as carry handle, remove it before connecting appliance to the outlet.
- Always use the appliance in an upright position.
- To disconnect heater, turn controls to off, then remove plug from outlet.
- Connect to properly polarized outlets only.
- This heater is not intended for use with an extension cord or outlet strip. Plug the cord directly into an appropriate wall receptacle.
- Check that neither the appliance nor the power cable have been damaged in any way during transportation.
- Make sure that no pieces of polystyrene or other packaging material have been left on the appliance. It may be necessary to pass over the appliance with a vacuum cleaner.
- When switching on the appliance for the first time, allow it to run at full power for at least two hours to get rid of the unpleasant smell. Make sure that the room in which the appliance is located is well ventilated during this operation. It is normal for the appliance to emit small cracking sounds when you turn it on.
- Do not use the appliance in rooms with a floor area of less than 4mq (43 square feet).
- Before putting the appliance away, make sure it is completely off and

unplugged from the mains socket. Wrap the cable around the base.

Do not store in dusty atmospheres.

- Do not rest anything on the appliance.
- Do not obstruct the air intake and outlet grilles (danger of overheating).
- Do not place the heater near a bed because objects such as pillows or blankets can fall off the bed and be ignited by the heater.
- (Certain models only) A tip over safety device turns the appliance off if it falls over or is positioned inappropriately in such a way as to jeopardise safety. The appliance resumes operation a few seconds after being placed in an upright position again. See troubleshooting session.

## SAVE THESE INSTRUCTIONS

**THIS PRODUCT IS FOR HOUSEHOLD USE ONLY**

### DESCRIPTION

---

- A** Thermostat
- B** Function selector
- C** Indicator light
- D** Tip over switch (certain models only)
- E** Foldable support

### USE

---

#### Installation

The appliance can be used on any horizontal surface. Do not overload the electrical circuit. Avoid using the same socket for other appliances.

#### Electrical connection

- Before plugging into the outlet, make sure the voltage of your power supply corresponds to the value V indicated on the appliance and that the socket and power line are appropriate for the load required.
- THIS APPLIANCE COMPLIES WITH DIRECTIVE 2004/108/


## Functioning and use



**Please note:** pull out the support outwards by placing fingers in the slot (see figure on page 3). If the support isn't pulled out, the product will not stand up and fall down.

Always operate the heater in upright position only.

Any other position could create a hazardous situation.


1. Plug the appliance into the outlet.
2. Turn the thermostat dial to maximum.
3. Summer mode (fan only): turn the function selector to the  position (the indicator light will go on).
4. Low power operation: turn the function selector to position **1** (the indicator light will go on).
5. High power operation: turn the function selector to position **2** (the indicator light will go on).
6. Switching off: turn the function selector to the "0" position (the indicator light will go off).

### Setting the thermostat

Position the thermostat on maximum.

When the room has reached the required temperature, turn the thermostat dial slowly counterclockwise until you hear a click and the fan goes off (the indicator light stays on). The thermostat will then keep room temperature at the selected level automatically.

### Frost prevention mode

With the function selector in position **2** and the thermostat dial in position , the appliance maintains room temperature at about 5°C (41°F), preventing freezing with minimal energy consumption (the indicator light will stay on).


## MAINTENANCE

- Always unplug from the outlet before cleaning.
- Clean the air intake and outlet grilles regularly.
- Do not use abrasive products or solvents to clean the appliance.

## SAFETY FUNCTIONS

- **Safety device:** the appliance is fitted with a safety device that switches it off in the event of accidental overheating (e.g. obstruction of air intake and outlet grilles, motor turning slowly or not at all).  
To reset, unplug the appliance from the outlet for a few minutes, remove the cause of overheating, then plug in again. If the appliance doesn't work please contact the De'Longhi Customer Service.
- **Tip-over safety device:** certain models are fitted with a tip-over switch (D) which turns the appliance off if it falls over. To restart the appliance, simply place it upright again.

## TROUBLESHOOTING

PROBLEM	CAUSE	SOLUTION
The appliance doesn't work	Be sure it is plugged in and that the electrical outlet is working.	Plug into the outlet.
	Check for any obstruction.	Remove the obstruction, unplug the heater and let the appliance cool down. If the appliance doesn't work please contact the De longhi toll free number.
	The function selector is in the "0" position.	Turn the function selector to the position  or "1" or "2".
	The thermostat may be set too low.	Turn the thermostat clockwise to a higher setting until the heater restarts.
	The tip-over switch has been activated (certain models only).	Make sure the appliance is standing upright on a flat surface, if the problem persists contact our toll free number to assist you.