

**Register Now**   
[www.delonghi.com/register](http://www.delonghi.com/register)

---

## ICM17 series



COFFEE MAKER  
MACCHINA DA CAFFÈ  
MACHINE À CAFÉ  
KAFFEEMASCHINE  
KOFFIEZETAPPARAAT  
CAFETERA  
MÁQUINA DE CAFÉ  
ΜΗΧΑΝΗ ΤΟΥ ΚΑΦΕ  
ΚΟΦΕΒΑΡΚΑ  
ΚÁVÉFŐZŐ GÉP  
KÁVOVAR  
KÁVOVAR  
EKSPRES DO KAWY  
KAFFEMASKIN  
KAFFEBRYGGARE  
KAFFEMASKINE  
KAHVINKEITIN  
APARAT ZA KAVU  
APARAT ZA KAVO  
КАФЕМАШИНА  
MAȘINĂ DE CAFEA  
KAHVE MAKİNESİ  
КОФЕ ЖАСАҒЫШ

قهوه ساز  
جهاز إعداد القهوة

---

**De'Longhi**

**EN**

page 6

**IT**

pag. 9

**FR**

page 13

**DE**

S. 16

**NL**

pag. 20

**ES**

pág. 24

**PT**

pág. 27

**EL**

σελ. 30

**RU**

стр. 34

**HU**

old. 38

**CS**

str. 42

**SK**

str. 45

**PL**

str. 48

**NO**

sid. 52

**SV**

sid. 55

**DA**

sid. 58

**FI**

siv. 61

**HR**

str. 64

**SL**

sid. 67

**BG**

стр. 70

**RO**

pag. 74

**TR**

say. 77

**KZ**

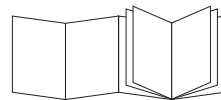
80 бет.

**FA**

6

**AR**

2



## ELECTRICAL CONNECTION (UK ONLY)

- A) If your appliance comes fitted with a plug, it will incorporate a 13 Amp fuse. If it does not fit your socket, the plug should be cut off from the mains lead, and an appropriate plug fitted, as below.

**WARNING:** Very carefully dispose of the cut off plug after removing the fuse: do not insert in a 13 Amp socket elsewhere in the house as this could cause a shock hazard. With alternative plugs not incorporating a fuse, the circuit must be protected by a 15 Amp fuse. If the plug is a moulded-on type, the fuse cover must be re-fitted when changing the fuse using a 13 Amp Asta approved fuse to BS 1362. In the event of losing the fuse cover, the plug must NOT be used until a replacement fuse cover can be obtained from your nearest electrical dealer. The colour of the correct replacement fuse cover is that as marked on the base of the plug.

- B) If your appliance is not fitted with a plug, please follow the instructions provided below:


**WARNING - THIS APPLIANCE MUST BE EARTHED**

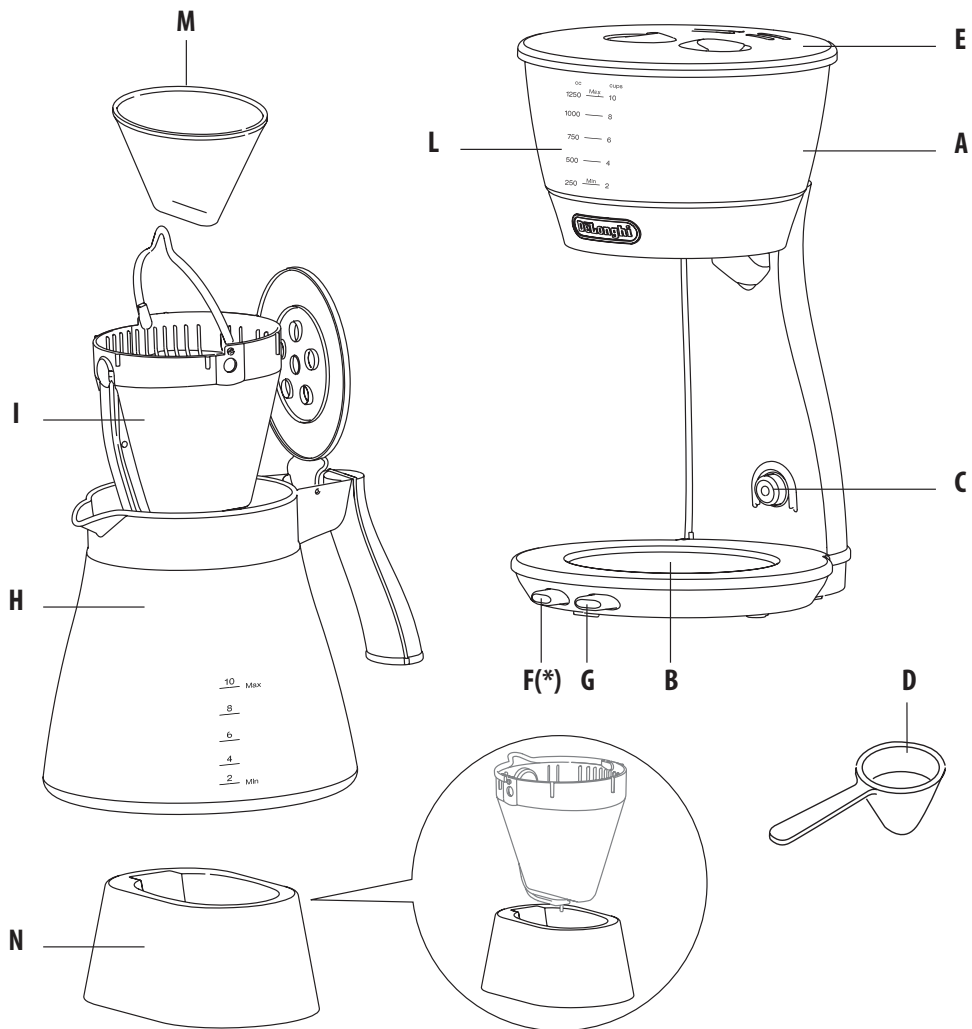
### IMPORTANT

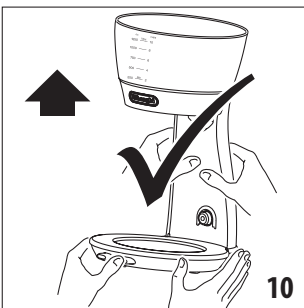
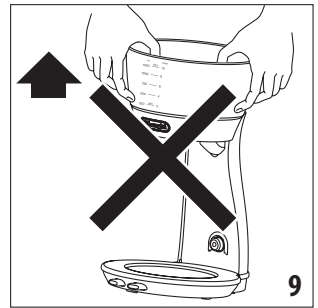
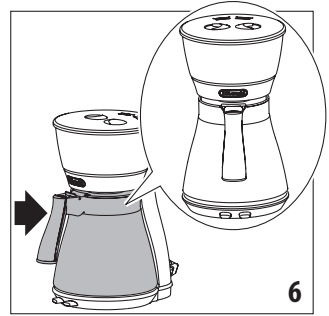
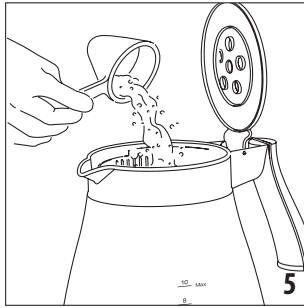
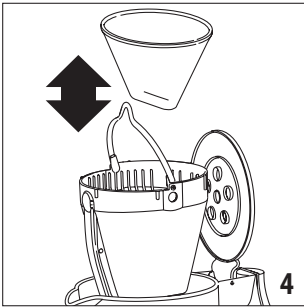
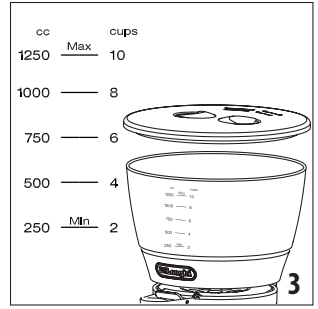
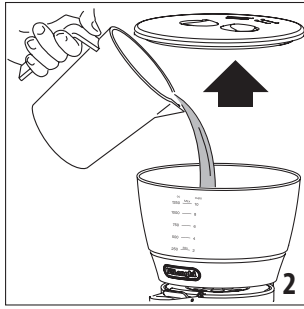
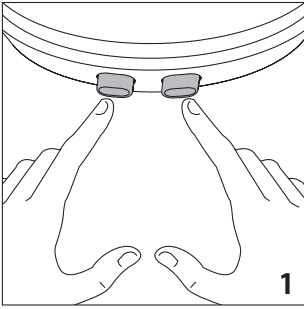
The wires in the mains lead are coloured in accordance with the following code:



Green and yellow:	Earth
Blue:	Neutral
Brown:	Live

As the colours of the wires in the mains lead may not correspond with the coloured markings identifying the terminals in your plug, proceed as follows: The green and yellow wire must be connected to the terminal in the plug marked with the letter E or the earth symbol  or coloured green or green and yellow. The blue wire must be connected to the terminal marked with the letter N or coloured black. The brown wire must be connected to the terminal marked with the letter L or coloured red.





## IMPORTANT SAFEGUARDS



Failure to observe the warning may result in life threatening injury by electric shock.

- The power cable of this appliance must not be replaced by the user as the operation requires the use of special tools.

If it is damaged or must be replaced, contact De'Longhi Customer Services to avoid all risk.

- Never immerse the coffee maker in water. It is an electrical appliance.
- Unplug the appliance and turn off the main switch when not in use. Do not leave the appliance switched on unnecessarily.
- As with all electrical appliances, use the coffee maker with care and common sense, particularly in the presence of children.
- Check that the voltage of the mains power supply corresponds to the value indicated on the appliance rating plate. Connect the appliance to an efficiently earthed electrical socket with a minimum rating of 10A only. The manufacturer declines all liability for any accidents caused by the absence of an efficient earth system.
- If the power socket does not match the plug on the appliance, have the socket replaced with a suitable type by a qualified electrician.
- When filling the water tank or removing the jug from the machine, avoid spilling liquid on the plug or power cable.



Failure to observe the warning could result in scalds or burns.

- This appliance is designed and made to "prepare coffee". Be careful to avoid being scalded by spraying water or steam or due to improper use of the appliance.
- When using the appliance do not touch the hot surfaces. Use the knobs or handles.
- Never touch the appliance with wet or damp hands or feet.
- The plate remains hot after the appliance has been used.
- Is it possible when remove the glass jug from the heating plate during the dispensing, that some hot water still drops down from the shower head.



Failure to observe the warning could result in injury or damage to the appliance.

- The manufacturer is not liable for damage caused by inappropriate, incorrect or irresponsible use.
- In the event of failure or malfunction, unplug the appliance from the mains. If it requires repair, contact De'Longhi

Customer Services only and ask for original spare parts to be used. Failure to respect the above could jeopardise the safety of the appliance.

- This appliance can be used by children aged from 8 years and above and persons with reduced physical, sensory or mental capabilities or lack of experience and knowledge if they have been given supervision or instruction concerning use of the appliance in a safe way and understand the hazards involved.

Children shall not play with the appliance.

Cleaning and user maintenance shall not be made by children without supervision. Keep the appliance and its cord out of reach of children aged less than 8 years.

- After removing the packaging, make sure the appliance is complete and undamaged. If in doubt, do not use the appliance and contact qualified personnel only.
- The packing elements (plastic bags, polystyrene foam, etc.) should be kept out of reach of children as they are a safety hazard.
- Place the appliance on a work surface far away from water taps, basins and sources of heat.
- Never install the appliance in environments where the temperature may reach 0°C or lower (the appliance may be damaged if the water freezes).
- Never move the appliance lifting it from the water fill container (A) (fig. 9). Take it from the column or from the base only (fig. 10).



This symbol identifies important advice or information for the user.

- Read this instruction booklet carefully before installing and using the appliance. This is the only way to ensure the best results and maximum safety for the user.

- This is a household appliance only.

It is not intended to be used in: staff kitchen areas in shops, offices and oth-

er working environment; farm houses; by clients in hotels, motels and other residential type environments; bed and breakfast type environments

Any other use is considered improper and thus dangerous.



- This appliance conforms to EC Regulation 1935/2004 on materials and articles intended to come into contact with food.
- After positioning the appliance on the work top, leave a space of at least 5 cm between the surfaces of the appliance and the side and rear walls and at least 20 cm above the coffee maker.
- Obstructing and backing up of water and/or coffee in the filter holder may happen under any or a combination of any of the following conditions:
  - the use of too finely ground coffee
  - using two or more paper filters
  - exceeding the coffee grounds in the filter

## DESCRIPTION OF APPLIANCE

- A. Water fill compartment
  - B. Plate heats up
  - C. Presence carafe/anti-drip function button
  - D. Measure
  - E. Lid
  - F. Optimum coffee brew button, ECBC approved
  - G. Pour over brew button
  - H. Glass jug
  - I. Filter holder for drip coffee
  - L. Water level indicator
  - M. Paper filter 1x4
  - N. Filter holder base
- (\*) The brewer carries the Seal of Approval from the European Coffee Brewing Centre (ECBC). For the brewer to perform to the ECBC standard you need to push the F button

## Before use

The first time the appliance is used, all accessories and the internal circuits must be washed through making 2 brew without coffee. Let the water run through and pour out the water. Rinse the glass jug and repeat the procedure in order to completely clean the coffee maker. Always use clean, cold water.

## What's important when selecting a coffee brewer?

- Infusion temperature (92-96°C)
- Saturation time (4 to 6 minutes)
- Coffee powder to water ratio (7.5 grams per 125 ml)

The De'Longhi Clessidra meets these requirements and has earned the certifications of the European Coffee Brewing Center (ECBC).

## High quality brew function

Thanks to a high precision brewing technology De'Longhi Clessidra provides optimum flavor extraction and has earned the approval from the European Coffee Brewing Centre (ECBC): brewing filter coffee with a precise temperature (92°C - 96°C) and infusion time control, for a perfect and tasty coffee cup after cup.

## Pour over brewing function

De'Longhi Clessidra thanks to a specifically designed shower head and automatic waterflow control, ensures an evenly saturated coffee powder for a more intense and aromatic flavour, at the touch of a button.

## HOW TO MAKE DRIP COFFEE

- Remove the lid (E) at the top and use the jug to pour clean cold water into the water fill compartment (A) (fig. 2) up to the level indicated for the number of cups of coffee you want to make. Check the level of water in the tank through the level window (L) (fig. 3). You are not recommended to use the jug provided as a measure.
- Position the paper filter (M) in the filter holder (I) (fig. 4). Use only paper filter 1x4.
- Place the filter ground coffee in the filter using the measure (D) provided and level evenly (fig. 5). See the table for recommended quantities. Use high quality, medium filter ground coffee for drip coffee makers.

## Recommended quantities for high quality brew:

No. cups	No. measures (*)
10	10
8	8
6	6
4	4
2	2

(\*) 1 level measure = 1 measuring spoon (7.5 g)

The quantities given in the table are indicative and should be adapted to your personal taste and the type of coffee. Never exceed the maximum quantity of 10 measures. The type of blend



has a considerable influence on the coffee you make. You should therefore try various types of coffee to find the one best suited to your taste.

**i Please note:** when using the high quality brew function, the recommended quantity of the filter ground coffee is 60 g per liter of water.

- Replace the lid (E) at the top of the appliance with the vents positioned as show in fig. 7-8 and place the closed jug (H) on the plate in a straight position (fig. 6). Make sure the presence carafe/anti-drip function button (C) is pressed (see Anti-drip function paragraph).
- Press the High quality brew button(F) or pour over (G) button (fig. 1). The white light indicates that the coffee maker is operating. The appliance emits a beep when delivery begins, then three beeps when it ends.
- To turn the function off press the selected button, High quality brew button (F) or pour over (G).
- It is completely normal for the appliance to give off steam while the coffee is percolating.
- For a new brewing cycle switch off the appliance pressing High quality brew button (F) or pour over (G) button and restart .

**i Please note:** removing the jug before all the coffee requested has been delivered does interrupt coffee making. Before pouring coffee remove the filter holder. Replace the jug into the plate till brewing cycle has finished.

### Anti-drip System

This coffee maker has an automatic anti-drip system that stops dispensing when the glass jug has been removed from the heating plate.

### Keep warm plate

If you leave the High quality brew button (F) or pour over (G) button pressed after percolation has finished, the plate will keep the coffee at the ideal temperature. The function goes off automatically 40 minutes after coffee delivery ends.

To turn the plate off press the High quality brew button (F) or pour over button (G) .

### CLEANING AND MAINTENANCE

Before maintenance or cleaning of the appliance, turn off, unplug from the mains socket and allow to cool.

- Do not use solvents or abrasive detergents to clean the coffee maker. Just wipe with a soft damp cloth.
- Never immerse the coffee maker in water. It is an electrical appliance.
- The water fill compartment (A) can be reached through the

lid (E). Clean when necessary.

### DESCALING

If the water in your area is hard, limescale builds up over time. These deposits may affect correct operation of the appliance. You are recommended to descale the coffee maker every 25 coffee making cycles.

When two buttons (F) and (G) flashes simultaneously, (about every 25 cycles) you have to descale the appliance.

- The appliance resets automatically after descaling.
  - To descale, always use special commercially available descaling products for drip coffee makers.
  - Dilute the product in the jug, following the instructions on the descaler pack;
  - Pour the solution into the water fill compartment;
  - Place the jug on the warming plate;
- and

press simultaneously the High quality brew button (F) and pour over (G) for more than 1,5s percolate the equivalent of one cup then turn the appliance off;

- Rinse by operating the appliance with water only at least 2 times (2 complete tanks of water).
- Failure to clean as described above invalidates the guarantee.

### TECHNICAL DATA

Mains voltage:	220-240V-50-60Hz
Absorbed power: ICM17210	1800W
Weight:	2.44 kg

### DISPOSING OF THE APPLIANCE



The appliance must not be disposed of with household waste, but taken to an authorised waste separation and recycling centre.