



电 水 壶

KETTLE

使  
用  
说  
明  
书

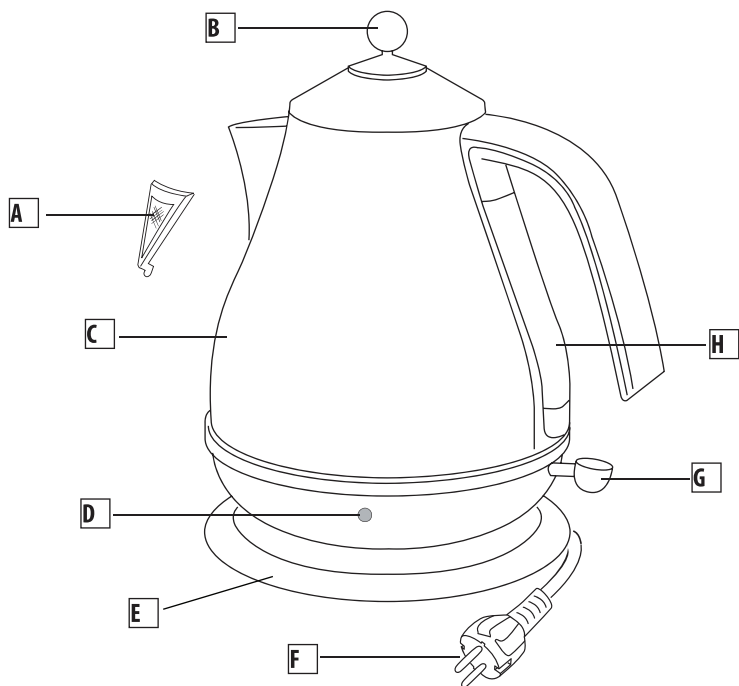


KBO2001系列  
KBOV2001系列

# 目录

---

介绍 .....	2	开启电水壶 .....	4
说明书中使用的符号 .....	2	倒水 .....	4
重要的安全警告 .....	2	安全装置 .....	4
安全警告 .....	2	1) 自动开启/关闭开关 .....	4
		2) 安全装置 .....	4
机器的废旧处理 .....	3	保养 .....	4
产品的描述 .....	3	清洁电水壶 .....	4
		电水壶除垢 .....	4
使用 .....	3	过滤网除垢 .....	4
使用前的准备工作 .....	3	拆除过滤网 .....	4
电水壶的使用 .....	3	清洁过滤网 .....	5
往水壶中装水 .....	3		



## 介绍

感谢您选择德龙的产品。在使用机器前，请先花几分钟阅读此说明书，以避免各种危险和损坏机器。

### 说明书中使用的符号

重要的警告都会用以下这些符号标出，必须要遵守这些警告。不遵守这些警告有可能导致触电，严重的人身伤害，烧伤，着火或损坏机器。



#### 危险!

不遵守这些警告有可能导致触电的危险。



#### 重要!

不遵守这些警告有可能导致人身伤害或损坏机器。



#### 烫伤危险!

不遵守这些警告有可能导致烧伤或烫伤。



#### 请注意:

这些符号对使用者十分重要。

## 重要的安全警告

### 安全警告

-为避免危险，切勿将插头、底座或水壶浸入水中或其他的液体中。切勿在浴室或水源的附近使用此机器。切勿在室外使用此机器。

-机器不使用或进行清洁时，请拔下电源插头。

-切勿在手湿时，使用机器。

-切勿在水壶内放入任何的器具。使用非制造商推荐的附件，有可能导致着火，触电危险或人伤害。

-避免水溢出流到连接器上。

-水壶在移开底座前，请先关闭电源开关。



#### 重要!

-此机器只能用于烧水，任何其他用途都是不恰当的，且会造成危险。制造商对于不恰当使用或不负责地使用或未授权的人员进行维修而造成的机器损坏，不负任何责任。

-此机器的设计和生限家庭使用。不适用于在这些场所使用：商场的员工餐厅，办公室和其他工作场所，旅馆，汽车旅客旅馆或其他的度假酒店，宾馆。

-倒水时请小心不要溅出，倾倒时水可能会渗入开关装置中。

-本机器不适用于8岁以下的儿童及身体、知觉及精神方面受损的从士或缺乏经验和相关知识的人士（包括孩童）使用，除非在有人监管并知晓危险性的情况下使用。

切勿让孩童玩弄本机器。切勿让孩童进行机器清洗和保养，除非是8岁以上的儿童，且在有人监督的情况下进行。将机器和电源线放置在8岁以下的儿童接触不到的地方。

-当机器使用时离儿童很近，必须近距离地监督。

-切勿在倾斜的表面使用此机器。

-机器的电源线或插头损坏时，切勿使用。在任何情况下，如果机器出现故障或损坏了，必须送到授权的服务中心进行维修或更换，以避免危险。



#### 烫伤危险!

-切勿接触热的表面如水壶壶身、水壶盖。

请使用把手拿或直接接触旋钮。

-当水壶煮沸时，切勿打开水壶盖。

-水煮沸后，水在很长一段时间内会保持很热，要防止烫伤危险。水壶和电源线插头要远离工作台面的边缘放置，且要远离儿童。

-切勿让电源插头悬挂在工作台面的边缘。

-倒水时避免接触热水倒出口出来的蒸汽；刚烧完水再倒水时，避免接触水壶盖和热水倒出口出来的蒸汽。

-将水壶、底座和电源插头远离热的物体的表面、电炉或火炉放置。

-使用者不可以自行更换电源线，因为更换电源线需要特殊的工具。如果机器的电源线损坏了，必须由制造商或其授权的售后服务中心或具有相关资质的人员进行更换，以避免各种危险。

-如果水壶加水过满，煮沸时水会溢出来。

-使用后加热元件表面会有余热。



### 请注意:

- 在往水壶中倒水前，请先将水壶从底座上取出。
  - 在使用时，切勿移动水壶。
  - 切勿将水壶用作除了烧水以外其他的用途。
  - 德龙公司对于不恰当地使用或不按说明使用电水壶而造成的损坏不负任何责任。
  - 切勿在无水壶盖和过滤网的情况下使用。
  - 在开启水壶前，请先将水壶放置在一个合适的地方。
  - 只能使用原厂配备的水壶底座。**
- 本机器符合欧盟以下的EC规定:
- 本机器符合欧盟EC 2004/108号指令有关电磁兼容性的要求。
  - 本机器所使用的材质和配件均符合欧盟EC 1935/2004号指令的规定。

## 机器的废旧处理

根据欧盟EC2002/96号的指令，切勿将本机器作为一般的城市垃圾进行处理。需将超过使用期限的机器交给专门的垃圾分类中心进行处理。



## 产品的描述

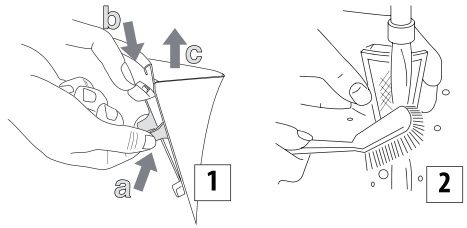
- A、可拆卸式过滤网
- B、可拆卸式水壶盖
- C、水壶
- D、电源指示灯
- E、360度可旋转底座（带电源线存储架）
- F、电源插头
- G、开启/关闭开关
- H、水位指示条

## 使用

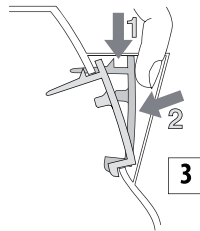
### 使用前的准备工作

- 从包装中取出水壶和底座。
- 将不锈钢表面的标贴撕掉。

- 取出过滤网(如图1)，然后用水冲洗(如图2)。详见“拆除过滤网”章节的描述。

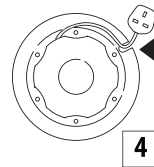


- 往水壶中倒入水，并煮沸。
- 煮沸的水倒掉，然后用冷水冲洗水壶。反复操作三遍，以清洗掉生产时的灰尘。
- 水壶冲洗干净后，重新装上过滤网（如图3）。



### 电水壶的使用

- 特殊设计，中心接入式底座，您可以在任何角度安装水壶。
- 释放电源线，将电源线的长度调节到合适的位置（如图4）。



- 切勿将多余的电源线悬挂在工作台面上。

### 往水壶中装水

- 往水壶中装水前，请先将水壶从底座上取下。

-取下水壶盖，往水壶中装水直到所需的位置。

为了防止水壶干烧，装入的水不能少于0.3升；这样会缩短电水壶的寿命。

装入的水不能超过1.7升（MAX标注的是最高水位）。

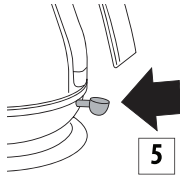
如果装入的水过多，水煮沸时会溢出来，这会导致烫伤危险。

## 开启电水壶

-接通电源。

-将水壶放到底座。

-往下按开启/关闭开关（如图5）开启电水壶。



-电源指示灯亮起。

-当水煮沸时，电水壶会自动关闭（开启/关闭开关会发出“咔嚓”声，并自动往上跳起，同时电源指示灯熄灭）。

-如需在水沸前关闭电水壶，可以将开启/关闭开关往上掰至关闭的位置，或直接将水壶从底座上取下，这会关闭电水壶，且开启/关闭开关会自动回到关闭的位置。

## 倒水

-从底座上取下水壶，然后小心地倒水。切勿突然地倾斜水壶或往太窄的容器倒水。

-从底座上取下水壶时，底座的表面上可能会有水汽。这是正常现象，不用太担心。

## 安全装置

### 1) 自动关闭开关

本电水壶配有自动关闭开关，当水煮沸时，电水壶会自动关闭。如果水刚刚煮沸，如需再次煮沸，需要等待1分钟才可以再次煮沸。不要试图将开启/关闭开关强行放置于开启的位置或调整开关的机械装置。

### 2) 安全装置

在电水壶开启的状态下，如果装入的水太少或无水，为了防止电水壶烧坏，安全装置会自动启动切断电源。

如果安全装置启动，在再次烧水之前，请先拔下电源的插头，将其冷却（否则电加热管会损坏）。

3) 如果在烧水时从底座上取下水壶，电水壶会自动关闭。

## 保养

### 清洁电水壶

-在清洁电水壶之前，请先等待其冷却，然后再拔下电源插头。

-切勿将水壶或底座浸入水中。

-用一块柔软的湿面擦拭水壶的外部，再用一块柔软的干布擦干。

-切勿用金属材质或粗糙的东西来擦洗电水壶。

-确保所有的连接口和插座都保持干燥。

### 电水壶除垢

水垢在大多数水质中都会发生，硬水所含钙质多于软水。

当水加热时，矿物质固化聚集在内壁表面，像白色的塑料片。传统的水壶，水垢会结成硬皮，这会缩短加热管的寿命。因此，在清洗过滤网时发现薄膜依附，请立即进行除垢。

### 过滤网除垢

该电水壶配有一个过滤网，倒水时可以过滤掉一部分水垢。这个过滤网是可以拆卸和清洗的。过滤网的清洁频率要视您所在区域水的硬度及您使用电水壶的频率而定的。当过滤网上有沉淀物或倒水时速度变慢时，请取下过滤网进行清洗。

### 拆除过滤网

-等待电水壶完全冷却。

-拔下电源插头。

-确保您的手干净，并远离肥皂、油脂或其他有可能污染水的东西。

-清空电水壶，然后取出过滤网（如图1）。

。

-在水龙头下用一个柔软的刷子清洗过滤网（如图2）。

-将过滤网装回电水壶（如图3）。

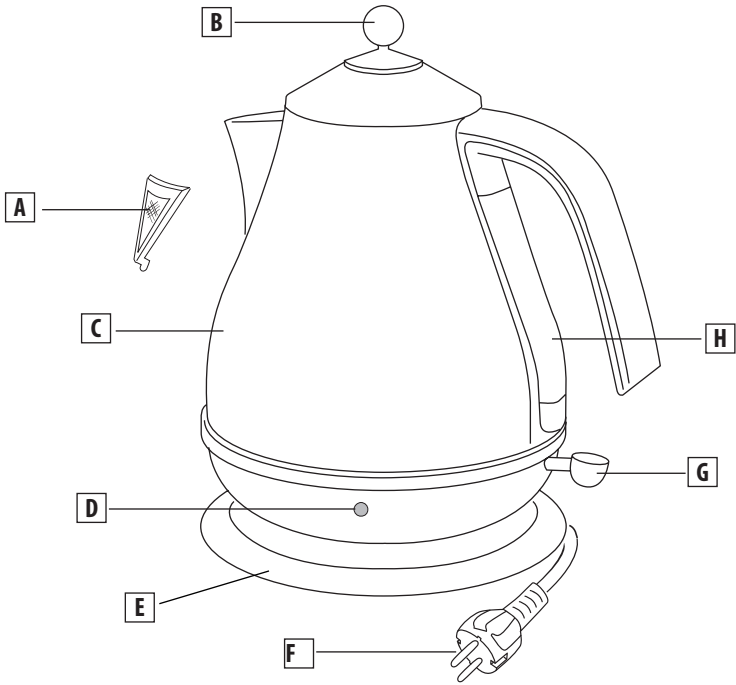
## 清洁过滤网

定期地清洗和除垢是电水壶正常工作的重要保证。

-使用除垢液进行除垢。当底部加热管表面开始有污垢时，请购买合适的除垢液并按除垢液说明进行正确的除垢。

完成除垢后，用新鲜的水煮沸后倒空，然后再用干净的水冲洗。反复操作几次，去除剩余的除垢液，以免损坏机器。如果过滤网也需要除垢，请拆下过滤网，一起浸在除垢液里面。

-在使用电水壶之前，请确保所有的电器部件均是干燥的。





## INTRODUCTION

Thank you for choosing a De'Longhi product. Please take a few moments to read the instructions to avoid risks or damage to the appliance.

### Symbols used in these instructions

Important warnings are identified by the symbols below.

It is important to respect the warnings.

Failure to respect the warnings could lead to electric shock, serious injury, burns, fire or damage to the appliance.



**Danger!**

Failure to observe the warning may result in life threatening injury by electric shock.



**Important!**

Failure to observe the warning could result in injury or damage to the appliance.



**Danger of burns!!**

Failure to observe the warning could result in burns or scalds.



**Please note:**

This symbol indicates recommendations and important information for the user.

## IMPORTANT WARNINGS

### Safety warnings



**Danger!**

- Avoid spillage on the connector.



**Important!**

- The appliance is exclusively for the use of boiling water.

Any other use is to be considered inappropriate and therefore dangerous.

The manufacturer cannot be held responsible for eventual damage caused by inappropriate, improper or irresponsible use and/or for repairs made to the product by unauthorised personnel.

- The appliance is designed and produced for domestic use only. It is not suitable for use in: staff kitchens in shops, offices and other workplaces, farm houses, hotels, motels or other holiday accommodation, guest houses.
- This appliance can be used by children aged 8 upwards and by persons with reduced physical, sensory or mental capabilities or who lack of experience and knowledge if they are supervised or have been given instructions concerning use of the appliance in a safe way and understand the hazards involved.  
Children must not play with the appliance.  
Cleaning and user maintenance must not be carried out by children unless they are older than 8 and supervised. Keep the appliance and its cord out of the reach of children under 8 years of age.
- The power cable must not be replaced by the user as this requires the use of special tools.  
If the supply cord is damaged, it must be replaced by the manufacturer, its service agent or similarly qualified persons in order to avoid a hazard.
- Use the kettle only with the power base supplied (and vice versa).
- Do not operate the kettle on an inclined surface.
- Do not operate the kettle unless the element is fully immersed.
- To prevent damage to the appliance do not use alkaline cleaning agents when cleaning, use a soft cloth and a mild detergent.



### **Danger of burns!!**

- Do not remove the lid while the kettle is boiling.
- If the kettle is overfilled, boiling water may overflow.
- The heating element surface is subject to residual heat after use.



### **Please note:**

- Never move the kettle while it is in use.



### **Danger!**

- To protect against electrical hazards do not immerse the mains lead, plug power base or kettle in water or any other liquid. Do not use in the bathroom or near any source of water. Do not use outdoors.
  - Remove the plug from the mains socket when not in use and before cleaning. Allow the kettle to cool before cleaning.
  - Do not use the kettle if you have wet hands.
  - Do not place any utensils into the kettle.
- The use of accessory attachments not recommended by the appliance manufacturer may result in fire, electric shock or personal injury.



### **Important!**

- Take care when pouring - do not over-tilt the kettle as water may enter into the switch mechanism.
- Close supervision is necessary when any appliance is used near children.
- Do not operate this kettle if the mains lead or plug is damaged, if the kettle malfunctions, or has been damaged in any manner. It must be returned to an authorised service agent for repair or replacement in order to avoid hazard.



### **Danger of burns!!**

- Do not touch hot surfaces i.e. body or lid. Use handles or knobs.
- Water can remain hot for a long time after boiling and can present a scald hazard. Keep the kettle and the mains lead away from the edge of the work surface and out of the reach of children.
- Do not allow the mains lead to hang over the edge of the table or work surface.

- Avoid contact with steam coming out of the spout when pouring, and out of the lid or spout when refilling.
- Keep the kettle, the power base, and the mains lead away from hotplates, hobs or burners.



### **Please note:**

- Remove the kettle from its power base before filling.
- Do not use the kettle for any purpose other than heating water.
- De'Longhi will not accept any liability if the appliance is subject to improper use, or failure to comply with these instructions.
- Never use the kettle without its lid and filter.
- Position the kettle properly on the power base before switching on.



This appliance conforms to EC Regulation 1935/2004 on materials and articles intended to come into contact with food.

### **Disposing of the appliance**



The appliance must not be disposed of with household waste, but taken to an authorised waste separation and recycling centre.

### **DESCRIPTION**

---

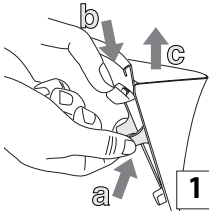
- A** Removable filter
- B** Removable lid
- C** Kettle body
- D** Power-on indicator lights
- E** 360° base with cord storage
- F** Plug
- G** ON/OFF switch
- H** Water level indicator

### **USE**

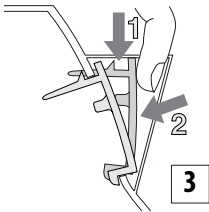
---

#### **Before use**

- Remove all packaging from the kettle and power base.
- Remove any labels from the outer stainless steel surfaces.
- Remove the filter (fig. 1) and wash with water (fig. 2). Refer to "Removing the scale filter".



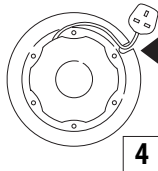
- Fill the kettle and boil.
- The boiled water should be discarded and the kettle rinsed out with cold water. This procedure should be carried out three times, to remove any manufacturing dust, etc.
- After the kettle has been rinsed out, re-fit the filter (fig. 3).



### In use

With the specially designed power base and central connector, you can now set the kettle on the base at any angle, from any position.

- Release cord from storage base and adjust length by winding around the base to give the correct cord length to reach the plug socket to be used (fig. 4).
- Do not leave loose cord hanging over the edge of work surfaces.



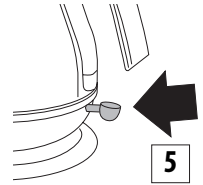
### Filling

- Remove the kettle from the base unit before filling.
- Open lid and fill kettle to desired level.  
**Do not fill with less than 0,3 litre of water** to prevent the kettle running dry while operating; misuse of this kind will shorten the life of the element.  
**Do not fill with more than 1.7 litres of water** (up to the MAX level).  
**If the kettle is overfilled, there is a risk that boiling water may be ejected causing burns.**



### Switching on

- Plug the power base into the mains socket.
- Place kettle on power base.
- Press the ON/OFF switch down (fig. 5) to switch the kettle on.
- The pilot light will switch on.
- The kettle will automatically switch off once the water is boiled (the ON/OFF switch will click upwards and the lights will switch off).
- To turn the kettle off before the water boils, you may move the ON/OFF switch up to the OFF position, or simply lift the kettle from its base - it will switch off and the switch will return to the OFF position automatically.



### Pouring

- Remove the kettle from the power base and carefully pour out the water. Do not tilt the kettle suddenly or pour water out at too sharp an angle.
- When you lift the kettle from the base, you may see moisture on the top surface of the base. Condensation on the base is perfectly normal, and should not be a cause for alarm.

### SAFETY DEVICES

#### 1) Automatic ON/OFF switch:

Your kettle is fitted with an ON/OFF switch which automatically switches off once the water has boiled. If the kettle has just boiled, wait a minute or so before re-boiling the kettle. Do not attempt to hold the ON/OFF switch in the on position or adjust the switch mechanism.

#### 2) Safety cut-out:

If the kettle is switched ON with too little or no water, it is protected against damage by a safety cut-out which will switch off the power. If this cut-out operates, disconnect the kettle from the mains supply and leave to cool down before refilling with cold water (otherwise the element could be damaged).

- 3) If kettle is lifted from base while operating (ON), it will automatically switch off.

### MAINTENANCE

#### Cleaning the kettle

- Allow the kettle to cool down fully and disconnect the

- appliance from the mains before cleaning.
- Do not immerse the kettle or base in water.
- Use a soft dampened cloth to wipe the outside of the kettle and dry with a soft, dry cloth.
- DO NOT use metal polish or harsh scouring agents.
- Ensure that all connectors and sockets are kept dry.

### Scale

Scale is mainly calcium carbonate (chalk), a harmless, naturally occurring mineral found in most water supplies. "Hard" water contains more of this mineral than "soft" water. When the water is heated, the minerals in the water solidify, making the water appear cloudy.

These minerals form a thin film on the walls, element and on the surface of the water.

The water may look like it has white coloured pieces of plastic floating on the surface. On traditional kettle elements, scale forms a hard white "crust" which adversely affects performance and reduces the life of the element.

As soon as you notice a film forming on the water, or, when cleaning the filter, if you notice a film on the walls or the element, simply rinse the kettle and wipe it out.

### Scale filter

Your kettle is fitted with a scale filter to prevent loose particles of scale being poured into your beverage. This filter is both removable and washable.

The frequency with which you will need to clean any scale deposits from your filter will depend on the hardness of water in your area and how often you use the kettle. You should remove and clean the water filter when you notice any deposits being left on the filter or if the pouring efficiency is impaired.

### Removing the scale filter

- Allow the kettle to cool down fully.
- Disconnect the appliance from the mains electrical supply.
- Make sure that your hands are clean and free from soap, cream or anything which might taint the water.
- Empty the kettle and remove the filter as shown in fig. 1.
- Rinse under a tap whilst brushing with a soft brush (fig. 2).
- Replace the filter (fig. 3).

### To clean the scale filter

It is vital to clean and descale regularly in order to maintain good working order.

- Use descaler for kettles.  
When limescale starts forming on the heating element, buy a suitable descaler and descale according to the instructions given on the descaler pack.  
After descaling, boil the kettle repeatedly with fresh water and rinse thoroughly to completely eliminate all residues of descaler which could damage the appliance.  
If the filter requires descaling, remove and immerse in the same descaling solution.
- Make sure electric parts are completely dry before using the kettle.

## TECHNICAL CHARACTERISTICS

Power supply	See rating plate
Absorbed power	"



★若有任何需求请与下述地址联系:

☆ 邑隆贸易(上海)有限公司

地址: 上海市中山北路3553号伸大厦2001-2016室

电话: (021) 3135 8858      传真: (021) 3135 8262      邮编: 200062

客户热线: 400 827 1668      网址: [www.delonghi.com.cn](http://www.delonghi.com.cn)