

Register Now 
www.delonghi.com/register

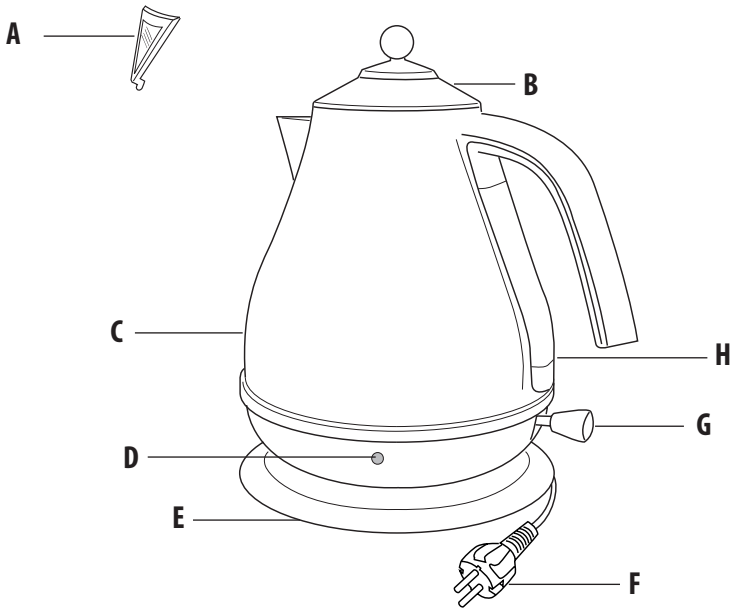
KBOV2000

電水壺
說明書

KETTLE



DeLonghi



重要提示

安全提示



危險!

不遵守警告可能會導致觸電危險

- 避免水溢出至電制



重要!

不遵守警告可能會導致損傷或損毀本機

- 本產品只供燒水之用。其它用途均為不恰當及會導致危險。製造商對於不恰當使用或不負責任地使用或未授權的人員進行維修而造成的機器損壞，不負任何責任。
- 本產品的設計和生產僅供家居使用，並不適用於商店員工廚房、辦公室及其他工作場所、農場、酒店、汽車旅館或其他度假住宿及賓館。
- 本機器不適用於8歲以下的兒童及身體、知覺及精神方面受損的人士或缺乏經驗和相關知識的人士(包括孩童)使用，除非在有人監管並知曉危險性的情況下使用。兒童不可把玩本產品，不應由沒有監督的兒童清潔及維修。將本產品及其電源線放在8歲以下兒童接觸不到的地方。
- 由於需要使用特別工具輔助，用戶不得自行更換電源線。如果電源線損壞，必須由製造商、其服務代理商或合資格人員更換，以免危險。
- 水壺只可與原廠電源底座同用(反之亦然)。
- 不可於傾斜的表面上使用水壺。

- 若水壺與底座未放好，請勿使用。
- 為防止本產品損壞，清潔時請勿使用含鹼性清潔劑，使用軟布和溫和的清潔劑即可。
- 請勿於高度超過2000米的地方使用本產品。
- 清潔細節可參考說明書的清潔部分。



燙傷危險!!

不遵守此警告有可能導致燒傷或燙傷

- 燒水時請勿移除水壺蓋。
- 如果盛水過滿，水沸時可能會溢出。
- 加熱元件表面在使用後會有餘熱。



請注意:

這符號是對使用者的建議或重要信息

- 切勿移動使用中的水壺。



危險!

不遵守警告可能會導致觸電危險

- 避免電擊危險，請勿將電源線，電源底座或水壺浸入水中或其他液體中。請勿在浴室或接近水源的地方使用水壺。不要在戶外使用水壺。
- 當不使用和清潔水壺前，請從電源插座上移除插頭，清潔前應先讓水壺冷卻。
- 當雙手沾濕後請勿使用本機。
- 請勿於水壺內放置任何器皿。若使用生產商不建議的配件可能會導致火災、觸電或人身損害。



重要!

沒有遵守警告可能會導致損傷或損毀本機

- 小心傾倒：倒水時不要使水壺

過度傾斜，因為水可能會進入開關裝置。

- 在兒童附近使用水壺時，務必密切注意。
- 如果電源線或插頭損壞、水壺發生故障或有任何方式損壞，請勿繼續使用此水壺。必須將其退回授權服務代理商進行維修或更換，避免危險。

燙傷危險!!

不遵守此警告有可能導致燒傷或燙傷

- 請勿觸摸燙熱表面，即水壺壺身或壺蓋，應使用手柄或把手。
- 煮沸後的水可會長時間保持燙熱，存在燙傷危險。水壺和電線不應置於工作台面邊緣，並應遠離兒童。
- 不要讓電線懸掛在工作台邊緣。
- 倒水時避免接觸從噴嘴流出的蒸氣，再注水時亦應避免接觸從蓋子或出水口流出的蒸氣。
- 應放置水壺、電源底座和電線遠離於電爐，煮食爐或氣體燃燒器。

請注意：

這符號是對使用者的建議或重要信息

- 注水前應將水壺從電源底座上取下。
- 除了煮沸水外，請勿將水壺用於其他用途。
- 如果不當使用此水壺或沒有遵守這些說明，De'Longhi將不承擔任何責任。
- 切勿在沒有水壺蓋和過濾器的情況下使用水壺。
- 應將水壺恰當地放置在電源底座上，才開啟電源。

料和物品的規定。

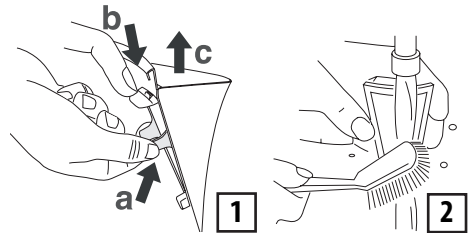
說明

- A 可拆卸式濾網
- B 可拆卸式壺蓋
- C 水壺壺身
- D 電源指示燈
- E 360°底座連電線收藏
- F 插頭
- G 開機/關機按鈕
- H 水量指示


使用

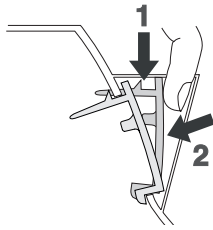
使用前

- 移除所有附於水壺和底座的包裝。
- 切勿讓兒童把玩包裝袋，以免窒息。
- 移除所有附於不銹鋼表面的標籤。
- 移除濾網(圖1) 及用清水清洗(圖2)。可參考「移除過濾網」。



- 為水壺加水至“MAX”水平然後啟動燒水。
- 倒掉燒好的水並用清水沖洗水壺，重覆此步驟至少三次以移除水壺生產時的塵埃。
- 當水壺清洗乾淨後，重新置好濾網(圖3)。

 本產品符合歐盟修例 1935/2004有關與食品接觸的材

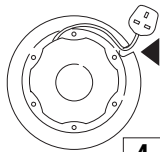


3

使用時

通過特別設計的電源底座及連接器，您可以從任何位置或角度將水壺放在底座上。

- 從電源底座上解開電線，並透過圍繞底座來調整電線長度，以提供合適長度使用插座(圖4)。
- 不要讓電線懸浮於枱上或接觸燙熱表面(例如壺蓋B)。



4

注水

- 注水前應將水壺從電源底座上取下。
- 打開壺蓋並注水至所需位置水平。

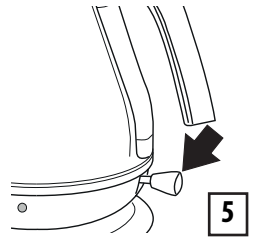
不要注入少於0.2公升的水，以免水壺在操作時出現乾涸；不當使用會縮減產品壽命。**不要注入多於1公升的水**(達至MAX水平)**如果注水過多，沸水有可能會溢出，引致燙傷危險。**

啟動

- 接通電源。
- 將水壺置於底座上。
- 按下開機/關機(圖5)以開動水壺。
- 使用中指示燈會亮起。
- 水煮沸後水壺會自動關閉(開

機/關機按鈕會向上一彈，指示燈會關掉)。

- 要在水煮沸前關掉水壺，您可以將開機/關機按鈕向上移動到OFF位置，或將水壺從底座上取下，水壺將自動關掉，開關按鈕會自動返回到OFF位置。



5

傾倒

- 從電源底座上取下水壺，小心地倒出水。不要突然傾斜水壺或以非常尖銳的角度傾倒水。
- 從電源底座上取下水壺時，可能會看到底座表面帶有水氣。電源底座上出現冷凝現象是完全正常的，不必擔心。

注意：每次使用後應清空水壺。如果您沒有使用水壺超過兩天，請先用清水沖洗。為減少能源消耗和避免浪費食水，請僅使用所需水量。

安全設備

1) 自動開機/關機按鈕：

您的水壺設有開關按鈕，一旦水煮沸就會自動關閉。如果水剛剛煮沸，請等待約一分鐘左右再重新燒水。請勿嘗試將開機/關機按鈕保持在開動位置或調整開關裝置。

2) 自動斷電功能：

如果在水量太少或沒有水的情況下開動水壺，自動斷電功能會啟動以保護水壺免受損壞，電源將被切斷。自動斷電功能啟動後，請將水壺從主電源移除，待

其冷卻，然後重新注入冷水（否則元件可會被損壞）。

- 3) 如果在使用中時 (ON) 水壺從電源底座上拿起，它將自動關閉。

保養

清潔水壺

- 在清潔水壺前，先待水壺完全冷卻並移除與電源設備的連接。
- 請勿將水壺或電源底座浸於水中。
- 使用柔軟的濕布擦拭水壺外部，然後用軟乾布擦乾。
- 切勿使用金屬亮光劑、易燃液體或粗糙的擦洗劑擦拭水壺。
- 確保所有連接器和插座都保持乾燥。

水垢

當水被加熱時，水中的礦物質會凝固，使水看起來不明晰。若您注意到在水面上形成一層薄膜，或者在清潔濾網時，發現濾網或元件上有薄膜，請為水壺和濾網進行除垢。

水垢濾網

您的水壺配有水垢濾網，以防止微細垢物倒進您的飲料內。這濾網既可移除又可清洗。當您發現濾網上留有任何沉積物或倒水速度變慢時，應移除並清潔濾網。

移除濾網

- 先讓水壺完全降溫及移除水壺與電源供應。確保你的手清潔，沒有肥皂，潤膚膏或任何可污染水的物質。
- 清空水壺並取下水垢濾網，如圖 1 所示。於水龍頭下開水及用軟刷刷洗（圖 2）及更換水垢濾網（圖 3）。濾網可會造成窒息風險，清洗後不可讓它無人看管。

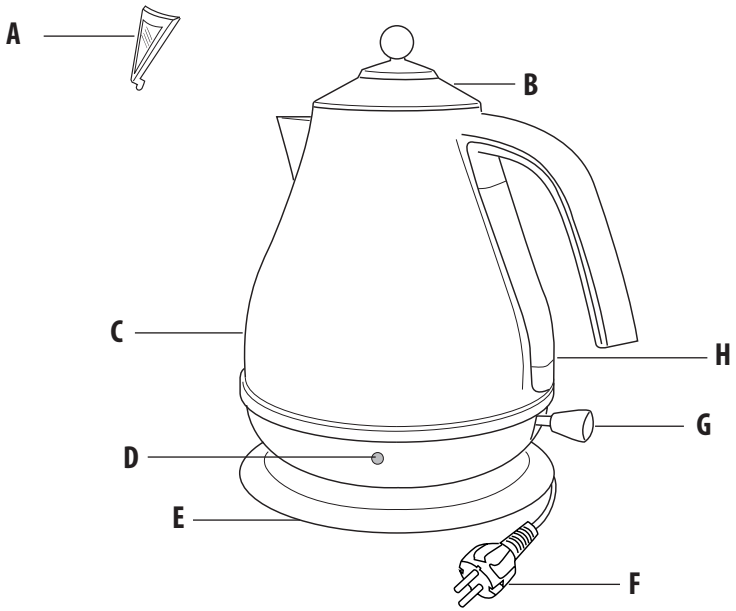
清潔水壺及水垢濾網

為保持效能，定期清潔和除垢尤其重要。過量的積垢可會影響產品性能，應儘量避免。

- 使用除垢劑清洗水壺（提示：可使用含有檸檬酸的除垢溶液）。當發現加熱元件出現水垢積聚時，可購買合適的除垢劑並根據除垢劑包裝上的說明指示為水壺除垢。
- 除垢後，用清水反復煮沸並徹底沖洗，以徹底清除可損壞產品的除垢劑殘餘物。重複煮沸和沖洗步驟至少三次。
- 如果濾網需要除垢，請將之移除並浸入相同的除垢劑中。
- 再次使用水壺前，確保帶電部件完全乾燥。

技術特點

電源	見技術規格
消耗功率	"



IMPORTANT WARNINGS

Safety warnings



Danger!

Failure to observe the warning may result in life threatening injury by electric shock.

- Avoid spillage on the connector.



Important!

Failure to observe the warning could result in injury or damage to the appliance.

- The appliance is exclusively for the use of boiling water.

Any other use is to be considered inappropriate and therefore dangerous.

The manufacturer cannot be held responsible for eventual damage caused by inappropriate, improper or irresponsible use and/or for repairs made to the product by unauthorised personnel.

- The appliance is designed and produced for domestic use only. It is not suitable for use in: staff kitchens in shops, offices and other workplaces, farm houses, hotels, motels or other holiday accommodation, guest houses.

- This appliance can be used by children aged 8 upwards and by persons with reduced physical, sensory or mental capabilities or who lack of experience and knowledge if they are supervised or have been given instructions concerning use of the appliance in a safe way and understand the hazards involved.

Children must not play with the appliance.

Cleaning and user maintenance must not be carried out by children unless

they are older than 8 and supervised. Keep the appliance and its cord out of the reach of children under 8 years of age.

- The power cable must not be replaced by the user as this requires the use of special tools.
If the supply cord is damaged, it must be replaced by the manufacturer, its service agent or similarly qualified persons in order to avoid a hazard.
- Use the kettle only with the power base supplied (and vice versa).
- Do not operate the kettle on an inclined surface.
- Do not operate the kettle unless the element is fully immersed.
- To prevent damage to the appliance do not use alkaline cleaning agents when cleaning, use a soft cloth and a mild detergent.
- Do not use the appliance at altitudes exceeding 2000m.
- Details for cleaning refer to cleaning part of user manual.



Danger of burns!!

Failure to observe the warning could result in burns or scalds.

- Do not remove the lid while the kettle is boiling.
- If the kettle is overfilled, boiling water may overflow.
- The heating element surface is subject to residual heat after use.



Please note:

This symbol indicates recommendations and important information for the user.

- Never move the kettle while it is in use.



Danger!

Failure to observe the warning may result in life threatening injury by electric shock.

- To protect against electrical hazards do not immerse the mains lead, plug power base or kettle in water or any other liquid. Do not use in the bathroom or near any source of water. Do not use outdoors.
- Remove the plug from the mains socket when not in use and before cleaning. Allow the kettle to cool before cleaning.
- Do not use the kettle if you have wet hands.
- Do not place any utensils into the kettle.

The use of accessory attachments not recommended by the appliance manufacturer may result in fire, electric shock or personal injury.



Important!

Failure to observe the warning could result in injury or damage to the appliance.

- Take care when pouring - do not over-tilt the kettle as water may enter into the switch mechanism.
- Close supervision is necessary when any appliance is used near children.
- Do not operate this kettle if the mains lead or plug is damaged, if the kettle malfunctions, or has been damaged in any manner. It must be returned to an authorised service agent for repair or replacement in order to avoid hazard.



Danger of burns!!

Failure to observe the warning could result in burns or scalds.

- Do not touch hot surfaces i.e. body or lid. Use handles or knobs.
- Water can remain hot for a long time after boiling and can present a scald hazard. Keep the kettle and the mains lead away from the edge of the work surface and out of the reach of children.
- Do not allow the mains lead to hang over the edge of the table or work surface.
- Avoid contact with steam coming out of the spout when pouring, and out of the lid or spout when refilling.
- Keep the kettle, the power base, and the mains lead away from hotplates, hobs or burners.



Please note:

This symbol indicates recommendations and important information for the user.

- Remove the kettle from its power base before filling.
- Do not use the kettle for any purpose other than heating water.
- De'Longhi will not accept any liability if the appliance is subject to improper use, or failure to comply with these instructions.
- Never use the kettle without its lid and filter.
- Position the kettle properly on the power base before switching on.



This appliance conforms to EC Regulation 1935/2004 on materials and articles intended to come into contact with food.

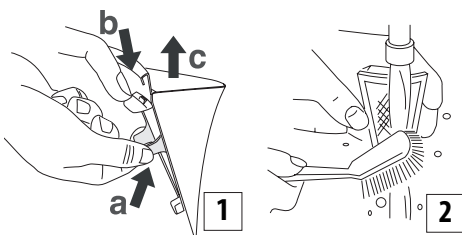
DESCRIPTION

- A** Removable filter
- B** Removable lid
- C** Kettle body
- D** Power-on indicator lights
- E** 360° base with cord storage
- F** Plug
- G** ON/OFF switch
- H** Water level indicator

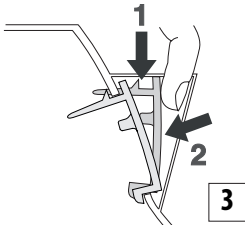
USE

Before use

- Remove all packaging from the kettle and power base.
- Do not let children play with them to avoid suffocation hazard.
- Remove any labels from the outer stainless steel surfaces.
- Remove the filter (fig. 1) and wash with water (fig. 2). Refer to "Removing the scale filter".



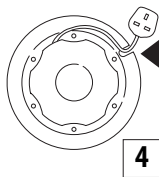
- Fill the kettle to 'MAX' level and boil.
- The boiled water should be discarded and the kettle rinsed out with cold water. Repeat the boil and rinse steps for at least three times to remove any manufacturing dust, etc.
- After the kettle has been rinsed out, re-fit the filter (fig. 3).



In use

With the specially designed power base and central connector, you can now set the kettle on the base at any angle, from any position.

- Release cord from storage base and adjust length by winding around the base to give the correct cord length to reach the plug socket to be used (fig. 4).
- Do not let cord hang over edge of table or counter, or touch hot surfaces (for example the top B).

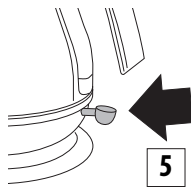


Filling

- Remove the kettle from the base unit before filling.
 - Open lid and fill kettle to desired level.
- Do not fill with less than 0,2 litre of water** to prevent the kettle running dry while operating; misuse of this kind will shorten the life of the element.
- Do not fill with more than 1 liter of water** (up to the MAX level).
- If the kettle is overfilled, there is a risk that boiling water may be ejected causing burns.**

Switching on

- Plug the power base into the mains socket.
- Place kettle on power base.
- Press the ON/OFF switch down (fig. 5) to switch the kettle on.
- The pilot light will switch on.
- The kettle will automatically switch off once the water is boiled (the ON/OFF switch will click upwards and the lights will switch off).
- To turn the kettle off before the water boils, you may move the ON/OFF switch up to the OFF position, or



simply lift the kettle from its base - it will switch off and the switch will return to the OFF position automatically.

Pouring

- Remove the kettle from the power base and carefully pour out the water. Do not tilt the kettle suddenly or pour water out at too sharp an angle.
- When you lift the kettle from the base, you may see moisture on the top surface of the base. Condensation on the base is perfectly normal, and should not be a cause for alarm.



Please note: Empty the kettle after each use.

Rinse the kettle with fresh water if you have not used for more than two days. To reduce energy consumption and waste of water, use only the amount of water you need.

SAFETY DEVICES

1) Automatic ON/OFF switch:

Your kettle is fitted with an ON/OFF switch which automatically switches off once the water has boiled. If the kettle has just boiled, wait a minute or so before re-boiling the kettle. Do not attempt to hold the ON/OFF switch in the on position or adjust the switch mechanism.

2) Safety cut-out:

If the kettle is switched ON with too little or no water, it is protected against damage by a safety cut-out which will switch off the power. If this cut-out operates, disconnect the kettle from the mains supply and leave to cool down before refilling with cold water (otherwise the element could be damaged).

- 3) If kettle is lifted from base while operating (ON), it will automatically switch off.

MAINTENANCE

Cleaning the kettle

- Allow the kettle to cool down fully and disconnect the appliance from the mains before cleaning.
- Do not immerse the kettle or base in water.
- Use a soft dampened cloth to wipe the outside of the kettle and dry with a soft, dry cloth.
- DO NOT use metal polish, flammable liquids or harsh scouring agents.
- Ensure that all connectors and sockets are kept dry.

Scale

When the water is heated, the minerals in the water solidify, making the water appear cloudy. As soon as you notice a

film forming on the water, or, when cleaning the filter, if you notice a film on the walls or the element, descale the kettle and its filter.

Scale filter

Your kettle is fitted with a scale filter to prevent loose particles of scale being poured into your beverage. This filter is both removable and washable. You should remove and clean the water filter when you notice any deposits being left on the filter or if the pouring efficiency is impaired.

Removing the scale filter

- Allow the kettle to cool down fully.
- Disconnect the appliance from the mains electrical supply.
- Make sure that your hands are clean and free from soap, cream or anything which might taint the water.
- Empty the kettle and remove the filter as shown in fig. 1.
- Rinse under a tap whilst brushing with a soft brush (fig. 2).
- Replace the filter (fig. 3). **Filter may pose suffocation risk, do not let it unattended after cleaning.**

To clean the kettle and the scale filter

It is vital to clean and descale regularly in order to maintain good working order. Excessive scale build-up may affect the performance of the product and shall be avoided.

- Use descaler for kettles (tip: use citric-acid based descaling solutions). When limescale starts forming on the heating element, buy a suitable descaler for kettles and descale according to the instructions given on the descaler pack.
- After descaling, boil repeatedly with fresh water and rinse thoroughly to completely eliminate all residues of descaler which could damage the appliance. Repeat the boil and rinse steps for at least three times.
- If the filter requires descaling, remove and immerse in the same descaling solution.
- Make sure electric parts are completely dry before using the kettle.

TECHNICAL CHARACTERISTICS

Power supply	See rating plate
Absorbed power	"