
EL SERIES

PORTABLE AIR CONDITIONER

Instructions for use. Keep these instructions

Visit www.delonghi.com for a list of service

centers near you.

ELECTRIC CHARACTERISTICS

115V~ 60 Hz

CONDITIONNEUR D'AIR PORTATIF

Mode d'emploi . Conservez cette notice

Visitez www.delonghi.com pour y voir une liste

des centres de réparation proches de chez vous.

CARACTÉRISTIQUES ÉLECTRIQUES

115V~ 60 Hz

SISTEMA DE AIRE ACONDICIONADO PORTÁTIL

Repase y guarde estas instrucciones.

Lea cuidadosamente este instructivo

antes de usar su aparato.

Visite www.delonghi.com para ver la lista

de centros de servicios cercanos a usted.

CARACTERISTICAS ELECTRICAS:

115V~ 60 Hz



EN

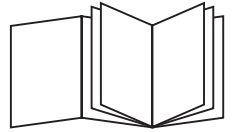
pag. 4

FR

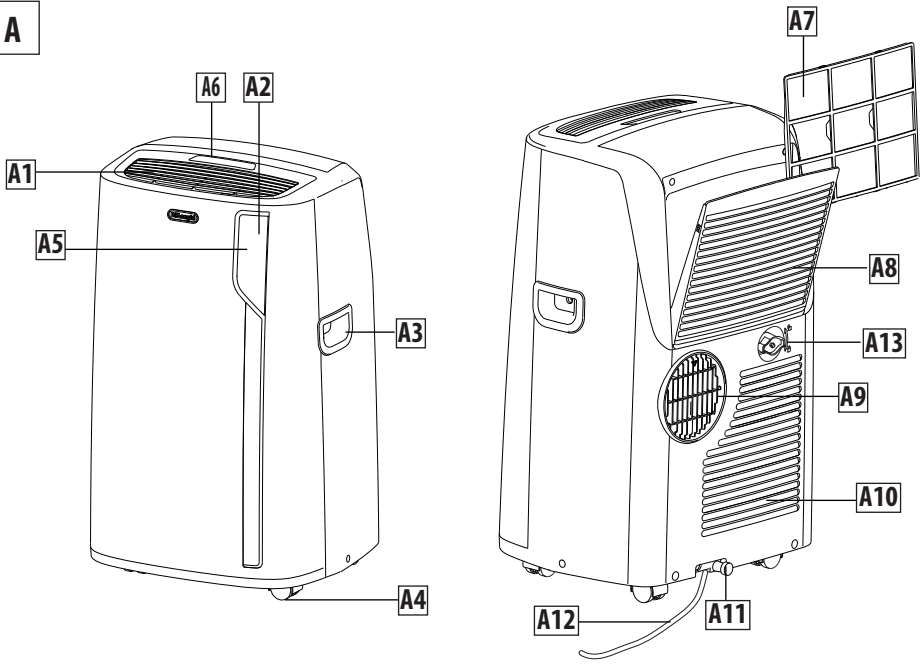
page 18

ES

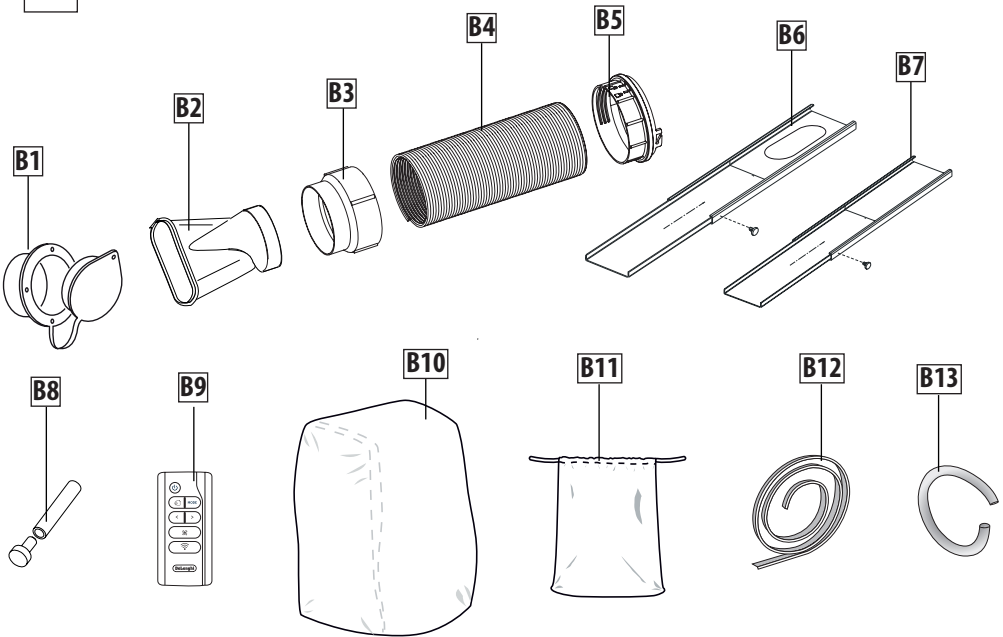
pág. 33



A



B



Important safeguard

- The appliance is not intended for use by persons (including children) with reduced physical, sensory or mental capabilities, or lack of experience and knowledge, unless they have been given supervision or instruction concerning use of the appliance by a person responsible for their safety.
- Children should be supervised to ensure that they do not play with the appliance.
- If the SUPPLY CORD is damaged, it must be replaced by the manufacturer, its service agent or similarly qualified persons in order to avoid a hazard.
- The appliance shall be installed in accordance with national wiring regulations.

As the appliance is powered by electricity, the possibility of electrical shock cannot be excluded.

The following safety precautions must therefore be followed:

- After removing the packaging, check the condition of the appliance. If in doubt, do not use the appliance and contact professionally qualified personnel.
- Before use, always check the condition of the power cord.
- It is dangerous to modify or alter the characteristics of the appliance in any way.
- This appliance must be connected to an efficient "grounding" system. Have the electrical system checked by a qualified electrician.
- Before each cleaning or maintenance operation, always disconnect the plug from the power outlet.
- Never submerge the appliance in water.
- Do not use the appliance outdoors.
- Do not obstruct the entrances and exits of air.
- When the appliance is connected to the mains, keep the following safety rules in mind:
 - Do not touch the appliance with wet or damp hands;
 - Do not use the appliance with bare or wet feet;

- Do not pull on the power cord or appliance to detach the plug from the power outlet;
- Do not move the appliance by pulling the power cable.
- Keep the appliance far from the reach of children;
- Do not insert foreign bodies into the appliance;
- Do not insert metal objects into the apertures. Danger! Rotating parts; contact with the internal fan could cause electric shock or injury.
- Do not leave the appliance exposed to atmospheric agents;
- If you wish to permanently eliminate the appliance, after disconnecting the plug from the power outlet it is recommended to make it unusable by severing the power cord.
- In the event of a fault and/or malfunction, turn the appliance off without tampering with it. For all repairs, contact an authorized technical service center only and request the use of original spare parts and accessories.
- Avoid the use of power cord extensions.

Designated use

This appliance must be used exclusively in domestic environment and for the intended purpose for which it was designed. All other uses are considered improper and therefore hazardous. The manufacturer shall not be held liable for any damage caused by improper, erroneous and irresponsible use, and/or due to repairs made by unqualified personnel.

Installing the appliance

- The appliance must be installed in compliance with national standards regulating electrical systems.
- Do not operate your air conditioner in a wet room such as a bathroom or laundry room.
- Do not install the appliance in rooms containing gas, oil or sulphur or near sources of heat.
- Do not use the appliance on sloping surfaces.
- Keep the appliance at least 20" (52cm) away from flammable substances (alcohol, etc.) or pressurized containers (e.g. aerosol cans).
- Do not rest objects on top of the appliance.
- When transporting, the appliance must be kept upright. If this is not possible secure the unit at

- an angle, do not lie it horizontally.
- Before transporting the unit, drain the unit.
- After transportation, wait at least 6 hours before switching the unit on.

Environmental information

- The materials used for packaging can be recycled. You are therefore recommended to dispose of them in special differentiated waste collection containers.



Specific information regarding appliances with R32 refrigerant gas

- Thoroughly read all of the warnings.
- When defrosting and cleaning the appliance, do not use any tools other than those recommended by the manufacturing company.
- The appliance shall be stored in a well-ventilated area;
- The appliance shall be stored in a room without continuously operating open flames (for example an operating gas appliance) and ignition sources (for example an operating electric heater).
- Do not burn any part of the appliance.
- Refrigerant gases can be odorless.
- This appliance contains R32 refrigerant gas. (For more details on the refrigerant, see back cover).
- Do not puncture any part of the refrigerant circuit.
- The servicing shall be performed only as recommended by the manufacturer.
- The appliance must be stored in a safe place in order to prevent damage to the unit.
- Individuals who operate or work on the refrigerant circuit must have the appropriate certification issued by an accredited organization that ensures competence in handling refrigerants according to a specific evaluation recognized by associations in the industry.
- Repairs must be performed based on the recommendations from the manufacturing company. Maintenance and repairs that require the assistance of other qualified personnel

must be performed under the supervision of an individual specified in the use of flammable refrigerants.

1. GENERAL INFORMATION

1.1 Instruction for Use

Read all the Instruction for Use carefully before using the appliance. Failure to follow this Instruction for Use may result in burns or damage to the appliance. The manufacturer is not liable for damage deriving from failure to respect this Instruction for Use.

WARNING: Changes or modifications not expressly approved by the party responsible for compliance could void the user's authority to operate the equipment.

Please note:

These safety warnings are valid for all De'Longhi air conditioners.

If the appliance is passed to other persons, they must also be provided with this Instruction for Use.

This appliance is fitted with a special safety device. When the compressor switches off, this device prevents it from switching on again for at least 3 minutes.

2. BEFORE USE

Important!

Store the packaging material (plastic bags, styrofoam) far from the reach of children.

CHOKING HAZARD. The appliance might contain small parts. Some of those small parts might be required to get disassembled during cleaning and maintenance operations. Handle with care and keep small parts out of reach of children.

2.1 Checking the appliance

After removing the packaging, make sure the product is complete and undamaged and that all accessories are present. Do not use the appliance if it is visibly damaged. Contact De'Longhi Customer Service.

Save these instructions
This product is for household use only

INTRODUCTION

Thank you for choosing a De'Longhi product. Please take a few moments to read the instructions to avoid risks or damage to the appliance.

Download the App!



This appliance can be used also with the APP named "Pinguino" that can be downloaded from the App Store® or from Google Play. To gain access to all functions you need a local net (Home WLAN) with access to Internet. Further check there are no obstacles to the Internet access, such as Firewall, Proxy, authentications, etc.,

DESCRIPTION

Description of the appliance (See page 3 - A)

- A1 Air outlet grid
- A2 Control panel
- A3 Handles
- A4 Wheels
- A5 Remote control signal receiver
- A6 Remote control storage
- A7 Filter
- A8 Air intake grille
- A9 Air exhaust hose housing
- A10 Air intake grille
- A11 Lower drainage hose with cap
- A12 Power supply cable
- A13 Upper drainage hose with cap

Description of accessories (See page 3 - B)

- B1 Wall flange with cap
- B2 Window outlet vent
- B3 Hose adapter to wall flange/window outlet vent
- B4 Air exhaust hose
- B5 Hose adapter to unit
- B6 Window bracket with locking pin
- B7 Additional window bracket with locking pin
- B8 Water drain tube with cap
- B9 Remote control
- B10 End of season dust cover (on some models only)
- B11 End of season accessories bag (on some models only)
- B12 Foam stripping
- B13 Upper water drain tube

Electrical connection

Before plugging the appliance into the outlet, check that:

- The outlet's power supply corresponds to the value indicated on the rating label on the back of the appliance;
- The outlet and electrical circuit are adequate for the appliance;
- The outlet is a 3-hole grounded outlet (⚡). If this is not the case, you must choose another outlet. Failure to follow these important safety instructions absolves the manufacturer of all liability.

If it becomes necessary, the power cable must be replaced by a qualified professional only.

The instructions below will enable you to prepare your air conditioner for operation as efficiently as possible. Before use, make sure the air intake and outlet grilles are unobstructed.

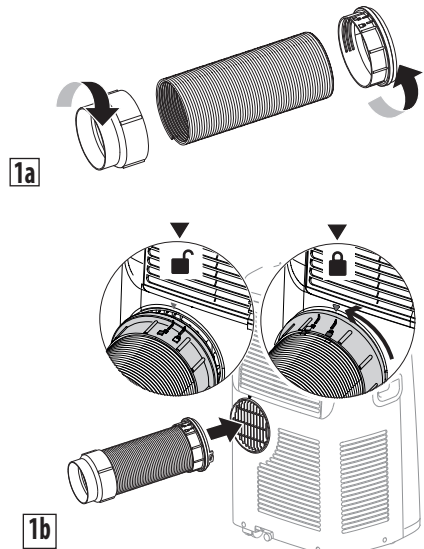
USE

Note: This appliance features an auto evaporator function to remove excess condensate water during cooling and dehumidifying modes.

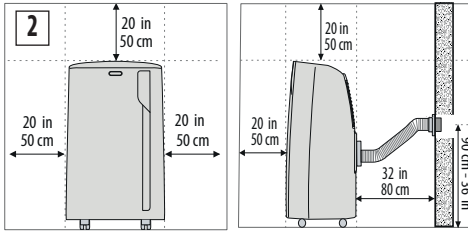
AIR CONDITIONING WITH WALL INSTALLATION

For optimal results set up your appliance in this way:

- Screw the hose adaptor **B3** and **B5** to the hose's end **B4** as shown in figure 1a.
- Fit the assembled air exhaust hose adapter **B5** in the housing at the back of the appliance. Align the open lock symbol on the adapter (B5) with the arrow on the back of the unit. Turn adapter counter clockwise until the closed lock symbol is aligned with the arrow, as shown in figure 1b.

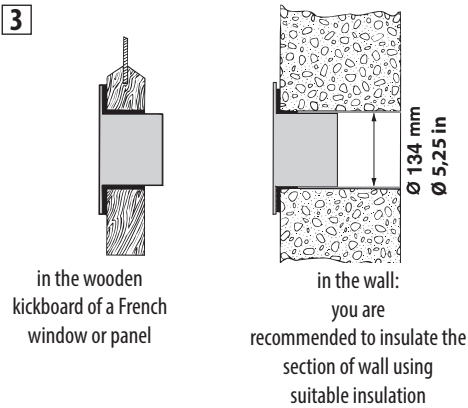


- Respect the minimum distances given in figure 2 below.



Proceed as follows:

- Drill a hole $\varnothing 5,25$ inches (134 mm) in an outside wall or through a wooden kickboard. Respect the dimensions and height of the hole given in figure 2 and 3.



- Fit the wall flange **B1** into the hole.
- Fit the assembled hose **B3-B4-B5** into the wall flange **B1**.
- When the air hose **B4** is not connected, the drilled hole can be closed with the flange cap **B1**.
- When installing the air conditioner, you should leave a door slightly open little as 1/2" (1 cm) to guarantee correct ventilation and room pressure.
- Keep the air hoses as short and free of curves as possible to avoid constrictions.

Note:

As special tools are required for this type of installation, we suggest you have the appliance installed by specialized personnel.

AIR CONDITIONING WITH WINDOW INSTALLATION

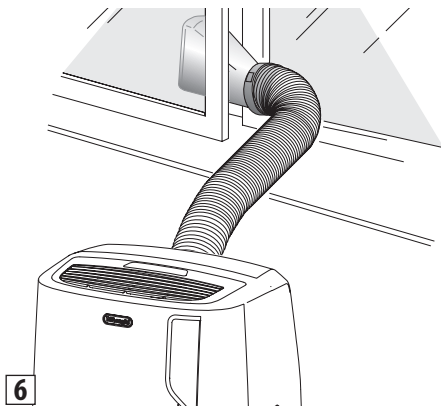
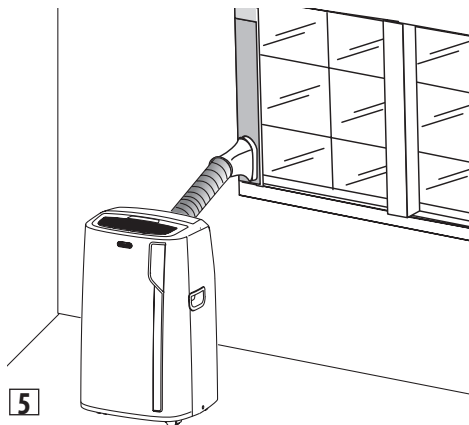
You can also set up in a double-hung window:

- Place the window bracket in the window sill, extend the bracket fully within the window frame, fix the bracket in place using the locking pin. Attach the provided foam striping **B12** to the top of the window bracket and then lower the window onto the bracket. (Should the window bracket be too large for the window, the plastic can be cut with a saw by a qualified professional.)
- Fit the air exhaust hose **B4** in the relevant housing located on the rear side of the appliance using hose adapter **B5**. Align the open lock symbol on the adapter **B5** with the arrow on the back of the unit. Turn adapter counter clockwise until the closed lock symbol is aligned with the arrow, as shown in figure 1b.
- Connect the window outlet vent **B2** to the other end of the exhaust hose using hose adapter **B3**.
- Insert the window outlet vent **B2** of the exhaust hose into the slot of the window bracket (fig. 4).



Other set-up methods:

- Thanks to the locking pins, it's possible to use the window bracket also for sliding windows. Position the hole of the bracket so to allow a correct installation of the exhaust hose (see fig. 5).

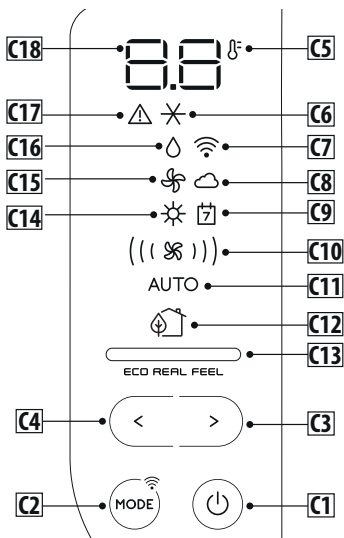


- If you have a casement window (figure 6) proceed as follows:
Fit the assembled air exhaust hose **B4** in the relevant housing located on the rear side of the appliance, using hose adapter **B5**. Align the open lock symbol on the adapter **B5** with the arrow on the back of the unit. Turn adapter counter clockwise until the closed lock symbol is aligned with the arrow, as shown in figure 1b. Then, apply the window outlet **B2** to the air exhaust hose **B4** and place it outside the window to exhaust the hot air.

For help with installation, operation, and for all accessories and spare/replacement parts, please contact our toll free customer service call center at:
1-800-322-3848 [US only]
1-888-335-6644 [Canada only]
 or log onto our website at www.delonghi.com

OPERATING FROM THE CONTROL PANEL

C



DESCRIPTION OF THE CONTROL PANEL (C)

- C1.** ON/STAND-BY (on/off) key
- C2.** MODE selection key (air conditioning, dehumidifying, fan, heating, ON-OFF WiFi - reset WLAN settings)
- C3.** Increase key
- C4.** Decrease key
- C5.** Temperature indicator
- C6.** Air conditioning symbol
- C7.** WiFi symbol
- C8.** App indicator
- C9.** App timer/calendar
- C10.** Air flow indicator
- C11.** Auto indicator
- C12.** ECO REAL FEEL symbol (the function is available only from remote control and app)
- C13.** ECO REAL FEEL indicator
- C14.** Heating symbol
- C15.** Fan symbol
- C16.** Dehumidifying symbol
- C17.** Alarm symbol
- C18.** Set temperature values

OPERATING FROM THE CONTROL PANEL

TURNING THE APPLIANCE ON/OFF



Before plugging in the appliance, check the caps on back of the unit are correctly inserted on drainage hose A11 and A13.

Insert the plug in the socket. Two dashes appear on the display indicating that the appliance is in stand-by. Touch the (C1) to turn on the appliance. When the appliance comes on, the last function set before it was shut off is activated.

NOTE: After a few seconds of inactivity, the brightness of the control panel will be automatically reduced and in the next few minutes it will be further reduced. To turn the appliance off, touch the key.

Note: Never turn off the air conditioner by simply pulling the plug. Touch the key in order to put your air conditioner in stand-by and wait a few minutes before pulling the plug. In this manner, the appliance can perform operating status checks.

MODE SELECTION



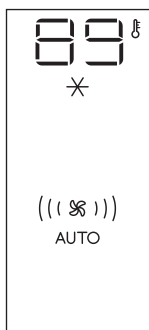
To select the desired operating mode, touch repeatedly the **MODE** key until the desired function is selected.

WiFi FUNCTION



To select or deselect the Wifi function, keep touching the **MODE** key for 3 seconds.

AIR CONDITIONING MODE



This is ideal for hot and humid weather when the room needs to be both cooled and dehumidified.

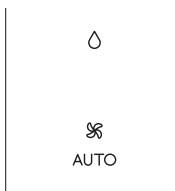
To correctly set this mode:

- Touch repeatedly the **MODE** key until the air conditioning symbol appears. The display will show the symbol .
- To change to the desired temperature, touch the < or > key.

Note: The most suitable temperatures, during the summer range from 75 to 81°F. However, setting the temperature significantly lower than the outdoor

temperature is not recommended. In air conditioning mode, the air flow can be selected only from the remote control.

DEHUMIDIFYING MODE



This is ideal for reducing humidity in the room (spring and autumn, damp rooms, rainy periods, etc).

For this type of use, the appliance must be set up same as in the air conditioning mode. That is, the air exhaust hose **B4** must be fitted to

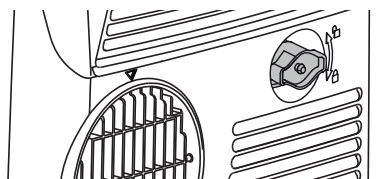
the appliance to allow the humidity to be discharged outside.

To correctly set this mode:

- Touch repeatedly the **MODE** key until the dehumidifying symbol appears.
- The appliance automatically chooses the best air flow.

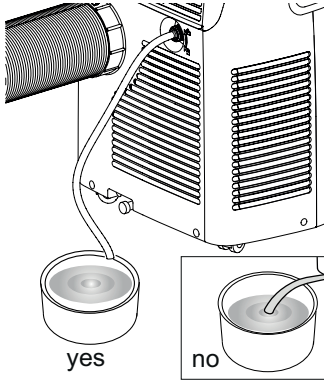
Note:

In case of high ambient humidity, it is possible to drain the condensation continuously by applying the tube supplied **B13** to the upper drainage hose **A13** (fig. 7) thus allowing the water to flow into a container.



Unscrew the cap by following the directions of the arrow and inserting the tube. Pay attention that water does not overflow onto the floor (fig. 8). If the connector is not in use, to avoid overflow onto the floor, remember to screw the cap back into place.

8



FAN MODE



When using this mode, the air exhaust hose **B4** does not need to be attached to the appliance
To correctly set this mode:

- Touch repeatedly the **MODE** key until the fan symbol appears.
- Select the desired air flow by touching the increase **> C3** or decrease **< C4** buttons.

The air flows available are:

- () **Minimum air flow:** when maximum quiet operation is desired.
- (()) **Medium air flow:** when the noise level needs to be low but with a good comfort level.
- ((())) **Maximum air flow:** for maximum performance.

HEATING MODE (on some models only)



This is ideal in spring and autumn when outdoor temperatures are not particularly severe. For this mode, the appliance should be prepared in the same way as for air conditioning, with the air exhaust hose **B4** attached.

- To set this mode:
- Touch repeatedly the **MODE** button until the heating symbol is displayed.
 - Touch increase **> C3** or decrease **< C4** buttons to adjust the desired temperature.

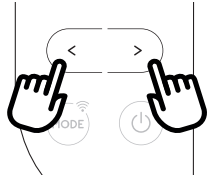
Notes:

- In this mode, the air flow is selected automatically by the

appliance and cannot be set manually.

- When operating in very cold rooms, the appliance defrosts automatically, momentarily interrupting normal operation. In this case, "Lt" appears on the display. During this operation, it is normal for the noise made by the appliance to change.
- In this mode, you may have to wait a few minutes before the appliance starts providing warm air.
- In this mode, the fan may operate for short periods, even though the set temperature has already been reached.
- If the display comes on and shows the "HL" alarm, empty the internal tray following the instructions in the Section "End of Season operations". Then, touch again the button to restore the heating function.

SELECT THE TEMPERATURE SCALE



The temperature can be displayed in °C or °F.
To change the temperature unit of measure touch both the increase/decrease keys **>** and **<** for about 10 seconds.

OPERATING FROM THE REMOTE CONTROL

INSERTING OR REPLACING THE BATTERIES

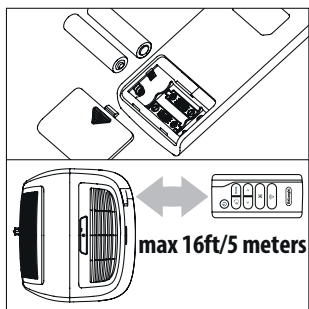
- Remove the cover on the rear of the remote control;
- Insert or replace the batteries with two new LR03 "AAA" 1.5V batteries, inserting them correctly (see the directions inside the battery compartment);
- Replace the cover.

Please note: If the remote control unit is replaced or discarded, the batteries must be removed and disposed of in accordance with current legislation as they are harmful to the environment. Do not mix old and new batteries. Do not mix alkaline, standard (carbon-zinc) or rechargeable (nickel-cadmium) batteries. Do not dispose of batteries in fire. Batteries may explode or leak. If the remote control is not be used for a certain length of time, remove the batteries.

USING THE REMOTE CONTROL

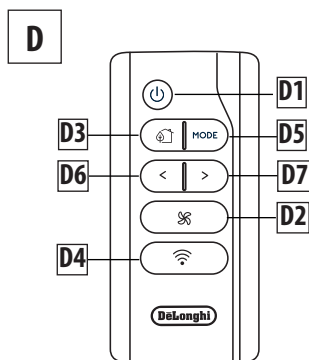
- Point the remote control at the receiver **A5** on the air conditioner. The remote control must be no more than 16ft/5 meters away from the appliance (without obstacles between the remote control and the receiver).
- The remote control must be handled with care. Do not drop it or expose it to direct sunlight or sources of heat.

Please note: The remote control can be safely stored in the appropriate compartment **A6**.



DESCRIPTION OF THE REMOTE CONTROL

- D1)** ON/STAND-BY button
- D2)** Air flow selection button
- D3)** ECO REAL FEEL button
- D4)** WiFi button
- D5)** MODE button
- D6-D7)** Decrease/ Increase button



TURNING THE APPLIANCE ON/OFF

- Plug into the outlet.
- Press the button **D1** to turn the appliance on (when turned on, the air conditioner starts operating in the same mode as when it was turned off).
- To switch the appliance off, press button **D1** .

Note: Never switch the appliance off by removing the plug. Always switch it off by pushing the button and waiting a few minutes before removing the plug. Only in this way will the appliance be able to perform its standard checks.

SELECTING THE OPERATING MODES

Most of the commands available on the remote control correspond to those on the appliance control panel **C** (See diagram on page 8).

SELECTING THE TEMPERATURES

In air conditioning and heating modes, press increase/decrease keys to select the desired temperature.

SELECTING THE AIR FLOW

In air conditioning and fan modes, press air flow selection button **D2** on remote control to select the desired air flow.

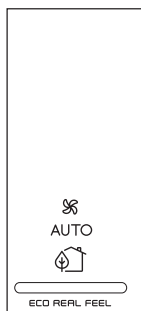
The air flow available are:

- () **Minimum air flow:** when maximum quiet operation is desired.
- (()) **Medium air flow:** when the noise level needs to be low but with a good comfort level.
- ((())) **Maximum air flow:** for maximum performance.

AUTO The appliance automatically chooses the air flow based on the temperature selected and the environmental conditions (This is available only in the air conditioning mode).

ECO REAL FEEL FUNCTION

(available only from remote control)



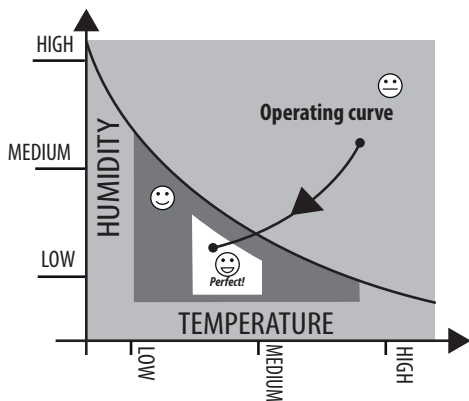
ECO REAL FEEL is the innovative De'Longhi technology that works simultaneously on temperature reduction and humidity control, securing the best comfort level.

With traditional systems, during working time, optimal comfort conditions may be reached but not secured over time. With ECO REAL FEEL, once optimal comfort is reached, the portable air conditioner automatically modulates the compressor and air flow, to keep it


over time. To activate the function, press the Eco Real Feel button **D3** on the remote control. The ECO REAL FEEL symbol **C12** appears.

After approx. 1 minute, the ECO REAL FEEL indicator **C13** turns on. It changes color when approaching the best comfort level (see following diagram).

Please note: For this type of use, the appliance must be set up same as in the air conditioning mode with the air exhaust hose connected.



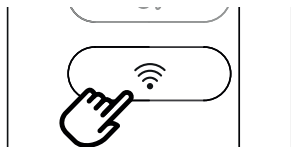
 **ORANGE LIGHT:** Room conditions far from optimal level.

 **GREEN LIGHT:** Most people feel good room conditions, near optimal level.

 **BLUE LIGHT:** Best comfort level.
Perfect!

The well-being feeling is a subjective condition: for this reason, different people may judge differently the same environmental conditions. In particularly severe environmental conditions (high temperature or humidity outside, poor insulation, too many people, high heat in the room, strong exposure to the sun, etc...) this device may not be able to reach the best comfort level.

WIFI FUNCTION



To activate or deactivate the WiFi function, keep touching the WiFi button on the remote control for a few seconds until the emission of a double beep. Once the WiFi icon is displayed it means that the WiFi features are available.

SYMBOL WIFI FIXED



it means that the WiFi features are active AND the "Home WLAN" has been found.

SLOW FLASHING



it means that the appliance is searching for the "Home WLAN".

FAST FLASHING



it means that the "Home WLAN" has not been found or has not been set yet.

"APP CONTROL" ICON



When the APP CONTROL icon appears it means that the last command has been received via app.

If the memorized "Home WLAN" settings needs to be changed, proceed as follows:

- keep touching for about 20 seconds the **MODE** button **C2** on the control panel until a prolonged beep is emitted;
- use the app to enter the new WLAN settings into the unit.

SETTING THE TIMER

Timer programming is an exclusive function of the app: thanks to the many possibilities of timer programming, you can prevent wasting electricity by optimizing the operating period, setting delayed start up or shut down of the appliance.

FCC AND CANADA EMC COMPLIANCE INFORMATION

This device complies with Part 15 of the FCC Rules. Operation is subject to the following two conditions:

- This device may not cause harmful interference, and
- This device must accept any interference received, including interference that may cause undesired operation.

NOTE: This equipment has been tested and found to comply with the limits for a Class B digital device, pursuant to part 15 of the FCC Rules. These limits are designed to provide reasonable protection against harmful interference in a residential installation. This equipment generates, uses and can radiate radio frequency energy and, if not installed and used in accordance with the instructions, may cause harmful interference to radio communications. However, there is no guarantee that interference will not occur in a particular installation. If this equipment does cause harmful interference to radio or television reception, which can be determined by turning the equipment off and on, the user is encouraged to try to correct the interference by one or more of the following measures:

- Reorient or relocate the receiving antenna.
- Increase the separation between the equipment and receiver.
- Connect the equipment into an outlet on a circuit different

from that to which the receiver is connected.

- Consult the dealer or an experienced radio/TV technician for help.

Approved under the certification provision of FCC Part 15 as a Class B Digital Device.

Caution: Changes or modifications not expressly approved by the manufacturer could void the user's authority to operate this device.

Caution: To comply with the limits of the Class B digital device, pursuant to Part 15 of the FCC Rules, this device is to comply with Class B limits. All peripherals must be shielded and grounded. Operation with non-certified peripherals or non-shielded cables may result in interference to radio or reception.

This Class B digital apparatus complies with Canadian ICES-003. CAN ICES-3 (B)/NMB-3(B)

Cet appareil numérique de la classe B est conforme à la norme NMB-003 du Canada.

WIRELESS TRANSMITTER COMPLIANCE INFORMATION

The term "IC:" before the radio certification number only signifies that Industry Canada technical specifications were met.

Le terme «IC:» avant le numéro de certification radio signifie seulement que les spécifications techniques d'Industrie Canada ont été respectées.

This device complies with Industry Canada's licence-exempt RSSs. Operation is subject to the following two conditions:

- (1) This device may not cause interference; and
- (2) This device must accept any interference, including interference that may cause undesired operation of the device.

Le présent appareil est conforme aux CNR d'Industrie Canada applicables aux appareils radio exempts de licence. L'exploitation est autorisée aux deux conditions suivantes :

- (1) *L'appareil ne doit pas produire de brouillage;*
- (2) *l'utilisateur de l'appareil doit accepter tout brouillage radioélectrique subi, même si le brouillage est susceptible d'en compromettre le fonctionnement.*

This equipment complies with FCC and IC radiation exposure limits set forth for an uncontrolled environment.

This equipment should be installed and operated with minimum distance 20cm between the radiator and your body.

This transmitter must not be co-located or operating in conjunction with any other antenna or transmitter.

Cet appareil est conforme à FCC et IC l'exposition aux rayonnements limites fixées pour un environnement non contrôlé.

Cet appareil doit être installé et utilisé avec une distance minimale de 20 cm entre le radiateur et votre corps.

Cet transmetteur ne doit pas être co-situé ou opérant en liaison avec toute autre antenne ou transmetteur.

FCC/IC RADIATION EXPOSURE STATEMENT

This equipment complies with FCC/IC RSS-102 radiation exposure limits set forth for an uncontrolled environment.

This equipment should be installed and operated with minimum distance 20cm between the radiator & your body.

Host device Labeling

This device includes the following module.

Contains FCC ID:

2ANDL3-TYWE1S

Host device Labeling





This device includes the following module.

Contains IC:

23243-TYWE1S

SELF-DIAGNOSIS

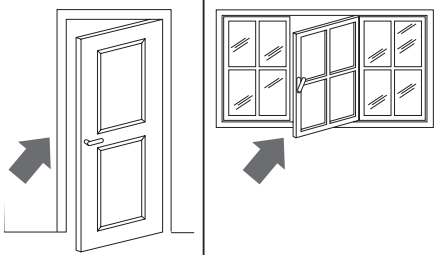
The appliance has a self diagnosis system to identify a number of warning/malfunctions. Error messages are displayed on the appliance display.

<p>IF ... IS DISPLAYED,</p>  <p>"Low Temperature" (frost prevention)</p> <p>..WHAT SHOULD I DO? The appliance is fitted with a frost protection device to avoid excessive formation of ice. The appliance starts up again automatically when the defrosting process is completed.</p>	<p>IF ... IS DISPLAYED,</p>  <p>"High Temperature" (Overheating protection)</p> <p>..WHAT SHOULD I DO? The appliance is fitted with an overheating device which in case of operating conditions with excessive room temperature for a long period, will switch the appliance to ventilate only. The appliance will be automatically restored as soon as the temperature will be close to the operating limit conditions.</p>	<p>IF ... IS DISPLAYED,</p>  <p>"Probe Failure" (Probe damaged)</p> <p>..WHAT SHOULD I DO? If this is displayed, contact our toll free customer service number.</p>	<p>IF ... IS DISPLAYED,</p>  <p>"High Level" (Internal tray full)</p> <p>..WHAT SHOULD I DO? Empty the internal safety tank following the instructions in the section "End of season operations".</p>
--	---	--	--

TIPS FOR CORRECT USE

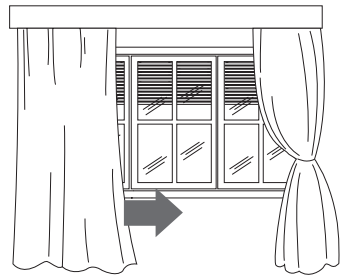
To ensure optimal results from your air conditioner, follow these recommendations:

- Close the windows and doors in the room to be air conditioned. When installing the air conditioner semi-permanently, you should leave a door slightly open (as little as 1/2" inch. (1 cm)) to guarantee proper ventilation.



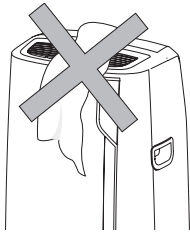
Close doors and windows

- Never use the appliance in very damp rooms (laundries for example).
- Protect the room from direct exposure to the sun by partially closing curtains and/or blinds to make the appliance much more economical to run.



Close blinds or curtains


- Never use the appliance outdoors.
- Make sure there are no heat sources in the room.
- Make sure the air conditioner is standing on a level surface.



do not cover the appliance

- Never rest objects of any kind on the air conditioner.
- Never obstruct the air intake or outlet grilles.

CLEANING

Before cleaning or maintenance, turn the appliance off by using the  button, then unplug from the outlet.

CLEANING THE CABINET

You should clean the appliance with a slightly damp cloth then dry with a dry cloth. For safety reasons, never wash the air conditioner with water.

Precautions

Never use petrol, alcohol or solvents to clean the appliance. Never spray insecticide liquids or similar.

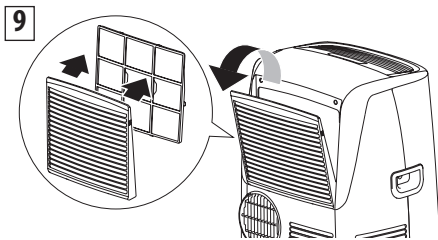
CLEANING THE AIR FILTER

If the filter is dirty, air circulation is compromised and the efficiency of the appliance decreases.

It is therefore good practice to clean the filter at regular intervals. The frequency depends on the duration and conditions of operation. If the unit is used constantly or systematically, you are recommended to clean the filter once a week.

The filter is housed in the intake grille.

Remove the grille to access the filter. To clean the filter, it will need to be extracted as shown in fig. 9.



Use a vacuum cleaner to remove any dust deposited on the filter. If it is very dirty, submerge it into warm water and rinse it several times. The water temperature must be kept below 104° F (40°C).

After washing the filter, allow it to dry completely before repositioning it.

CHECKS AT THE START OF THE SEASON

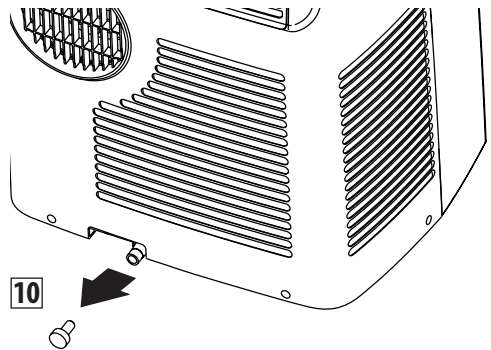
Make sure the power cable and socket are in perfect condition and make sure the grounding system is sufficient. Comply strictly with the installation standards.

END OF SEASON OPERATIONS

To drain all water from the circuit, remove the cap **A11** from the drainage on the back of the appliance and allow the water to drain out into a basin (fig. 10).

To facilitate this operation, at the start of the season, it's possible to apply the water drain hose with cap **B8**.

In order to properly storage the appliance at the end of the season, we suggest you cover it with the supplied end of season dust cover **B10** and you put the accessories in the relevant end of season accessories bag **B11**.



When the appliance is empty, replace the cap. Clean the filter and dry thoroughly before putting back. Unit should be stored in large, well ventilated area.

TECHNICAL SPECIFICATIONS

Power supply voltage	see rating label
Max. absorbed power during air conditioning	"
Refrigerant	"
Cooling capacity	"

LIMIT CONDITIONS

Room temperature for air conditioning	64 - 95°F (18° - 35°C)
Room temperature for heating (on some models only)	50 - 77°F (10 - 25°C)
Maximum relative humidity :	80% RH

Transport, filling, cleaning, recovery and disposal of refrigerant should be performed by a technical service center appointed by the manufacturer only.

The appliance should be disposed of by a specialized center appointed by your municipality.

TO AVOID DAMAGE TO THE UNIT:

NEVER TRANSPORT OR TURN THE APPLIANCE UPSIDE DOWN OR ON ITS SIDE. IF THIS OCCURS, WAIT 6 HOURS BEFORE TURNING THE APPLIANCE ON, 24 HOURS IS RECOMMENDED. After the unit has been on its side, oil needs to return to the compressor to ensure proper function. Without allowing the unit this time (6-24 hours) the unit may function for only a short time, and then the compressor will break down from lack of oil.

ELECTRICAL CONNECTION

This appliance is equipped with a 3 prong grounded plug. The plug must be connected into an outlet that is properly installed and grounded in the accordance with all local codes and ordinances. Do not modify the plug provided with the appliance. If it will not fit the outlet, have a proper outlet installed by a qualified electrician or relocate the unit to a proper outlet. If the household electrical supply does not meet the above specifications, or if you are not sure your home has an effective electrical ground, have a qualified electrician or your local electrical utility company check it and correct any problems.

SAFETY PLUG

The appliance is fitted with a safety plug to protect the power cable. If power is cut off, unplug from the outlet and make sure the power cable is undamaged. If the cable is damaged, call the service center immediately. If power cuts off frequently and the power cable is undamaged, contact a qualified electrician.

OPERATION OF THE SAFETY PLUG

If the safety device incorporated in the plug trips and cuts off the power supply, check that the power cable and plug are not damaged. If the power cable is undamaged, to restore operation press the "RESET" button. To verify correct operation of the plug, press the "TEST" button periodically and make sure the appliance disconnects. If this is not the case, contact the service center. To restore operation, press the "RESET" button.

TROUBLESHOOTING

Please check the following points before calling the toll-free customer service number.

PROBLEMS	CAUSES	SOLUTIONS
The air conditioner does not turn on	It is not plugged in	plug it in
	there is no power	wait for at least 3 minutes and try again
	the internal protection device was triggered	call the help center
The air conditioner works for a short period of time	the air exhaust hose is obstructed or bent	correctly position the air exhaust hose, limiting the length and curves as much as possible and avoiding any obstructions
	an obstruction is impeding air exhaust outside	identify and remove the obstacles that impede air exhaust outside
The air conditioner runs but does not cool the room	windows, doors, drapes open	close the windows, doors and drapes, keeping in mind the "recommendations for proper use"
	there is some heat source in the room (i.e. oven, etc.)	eliminate the heat source
	the air exhaust hose is disconnected from the appliance	attach the air exhaust hose to the housing on the back of the appliance (fig.1b)
	dust filters clogged	clean or replace the filters as previously described
During operation there is an unpleasant odor in the room	dust filters clogged	clean or replace the filters as previously described
The air conditioner does not work for about 3 minutes from restart	to protect the compressor there is an internal device that delays startup for about 3 minutes from restart	wait the recommended time and try again
The internal tank is full	high ambient humidity	apply the water drain tube supplied (B13) to the upper drainage hose (A13), thus allowing the water to flow into a container. Pay attention the water does not overflow on to the floor.
One of the following messages is displayed: <i>Lt/Ht/PF/HL</i>	the appliance has a self-diagnosis system that identifies some operating errors	refer to the SELF-DIAGNOSIS chapter

Précautions importantes

- L'appareil n'est pas prévu pour des personnes (y compris des enfants) dont les capacités physiques, sensorielles ou mentales sont diminuées, ou manquent d'expérience et de connaissances, sauf s'ils reçoivent de la supervision ou des instructions sur l'utilisation de l'appareil par une personne responsable de leur sécurité.
- Les enfants doivent être supervisés pour s'assurer qu'il ne jouent pas avec l'appareil.
- Si le CORDON D'ALIMENTATION est endommagé, il doit être remplacé par le fabricant, son agent de service ou des personnes ayant une qualification similaire afin d'éviter tout risque.
- L'appareil doit être installé conformément aux réglementations nationales en matière de câblage.

L'appareil fonctionnant à l'électricité, la possibilité d'un choc électrique ne peut être exclue.

Les consignes de sécurité suivantes doivent donc être respectées :

- Après avoir retiré l'emballage, vérifiez l'état de l'appareil. En cas de doute, n'utilisez pas l'appareil et contactez du personnel qualifié pour ce travail.
- Avant d'utiliser l'appareil, vérifiez toujours l'état du cordon d'alimentation.
- Il est dangereux de modifier ou d'altérer les caractéristiques de l'appareil de quelque manière que ce soit.
- Cet appareil doit être branché à un système de « mise à la terre » efficace. Faites vérifier le système électrique par un électricien dument qualifié.
- Avant chaque opération de nettoyage ou de maintenance, débranchez toujours la fiche de la prise de courant.
- Ne plongez jamais l'appareil dans l'eau.
- N'utilisez pas l'appareil à l'extérieur.
- N'obstruez pas les entrées et sorties d'air.
- Lorsque l'appareil est branché au secteur, gardez à l'esprit les règles de sécurité suivantes :

- Ne touchez pas l'appareil avec des mains mouillées ou humides ;
- N'utilisez pas l'appareil avec les pieds nus ou mouillés ;
- Ne tirez pas sur le cordon d'alimentation ou sur l'appareil pour débrancher la fiche de la prise de courant ;
- Ne déplacez pas l'appareil en tirant sur le câble d'alimentation.
- Gardez l'appareil hors de portée des enfants ;
- Ne introduisez pas de corps étrangers dans l'appareil ;
- N'insérez pas d'objets métalliques dans les ouvertures.
Danger ! Pièces en rotation ; le contact avec le ventilateur interne peut provoquer un choc électrique ou des blessures.
- ne laissez pas l'appareil exposé aux agents atmosphériques ;
- Si vous souhaitez mettre l'appareil au rebut définitivement, après avoir débranché la fiche de la prise de courant, il est recommandé de le rendre inutilisable en coupant le cordon d'alimentation.
- En cas de panne et/ou de mauvais fonctionnement, éteignez l'appareil sans y toucher. Pour toute réparation, contactez uniquement un centre de service technique agréé et demandez l'utilisation de pièces de rechange et d'accessoires d'origine.
- Évitez d'utiliser des rallonges électriques.

Usage prévu

Cet appareil doit être utilisé exclusivement dans un environnement domestique et pour l'usage pour lequel il a été conçu. Toutes les autres utilisations sont considérées comme inappropriées et donc dangereuses. Le fabricant décline toute responsabilité en cas des dommages causés par une utilisation inappropriée, erronée et irresponsable, et/ou par des réparations effectuées par du personnel non qualifié.

Installation de l'appareil

- L'appareil doit être installé conformément aux normes nationales régissant les systèmes électriques.
- N'utilisez pas votre conditionneur d'air dans une pièce humide comme une salle de bain ou une buanderie.
- N'installez pas l'appareil dans des pièces contenant du gaz, du pétrole ou du soufre ou à proximité de sources de chaleur.
- N'utilisez pas l'appareil sur des surfaces inclinées.
- Tenez l'appareil à une distance d'au moins 52cm (20 pouces) de substances inflammables (alcool, etc.) ou de récipients sous pression (par exemple, les bombes aérosols).
- Ne posez pas d'objets sur l'appareil.
- Au cours du transport, l'appareil doit être maintenu en position verticale. Si cela n'est pas possible, fixez l'appareil
- en oblique ; ne le positionnez pas à l'horizontale.
- Avant de transporter l'appareil, purgez-le.
- Après le transport, attendez au moins 6 heures avant de mettre l'appareil en marche.

Informations sur l'environnement

- Les matériaux utilisés pour l'emballage peuvent être recyclés. Il est donc recommandé de les éliminer dans des conteneurs spéciaux de collecte différenciée des déchets.



Informations spécifiques concernant les appareils à gaz réfrigérant R32

- Lisez attentivement tous les avertissements.
- Lors du dégivrage et du nettoyage de l'appareil, n'utilisez pas d'autres outils que ceux recommandés par le fabricant.
- L'appareil doit être stocké dans un endroit bien ventilé ;
- L'appareil doit être stocké dans une pièce sans flamme nue (par exemple, un appareil à gaz en marche) et sans source d'inflammation (par exemple, un chauffage électrique en marche).
- Ne brûlez aucune partie de l'appareil.
- Les gaz réfrigérants peuvent être inodores.
- Cet appareil contient du gaz réfrigérant R32.

(Pour plus de détails sur le réfrigérant, voir la couverture arrière).

- Ne percez aucune partie du circuit de réfrigérant.
- La maintenance doit être effectuée uniquement selon les recommandations du fabricant.
- L'appareil doit être stocké dans un endroit sûr afin d'éviter tout dommage.
- Les personnes qui opèrent ou travaillent sur le circuit frigorifique doivent posséder la certification appropriée délivrée par un organisme agréé qui garantit la compétence dans la manipulation des réfrigérants selon une évaluation spécifique reconnue par les associations de l'industrie.
- Les réparations doivent être effectuées sur la base des recommandations du fabricant. La maintenance et les réparations qui nécessitent l'assistance d'un autre personnel qualifié doivent être effectuées sous la supervision d'une personne spécialisée dans l'utilisation de réfrigérants inflammables.

1. INFORMATIONS GÉNÉRALES

1.1 Mode d'emploi

Lisez attentivement tout le mode d'emploi avant d'utiliser l'appareil. Le non-respect de ce mode d'emploi peut entraîner des brûlures ou des dommages à l'appareil.

Le fabricant n'est pas responsable des dommages résultant du non-respect du présent mode d'emploi. ATTENTION : Les modifications non expressément approuvées par l'entité responsable de la conformité peuvent annuler l'autorisation de l'utilisateur d'utiliser l'équipement.

Remarque :

Ces mises en garde de sécurité sont valables pour tous les conditionneurs d'air De'Longhi.

Si l'appareil est transféré à d'autres personnes, celles-ci doivent également recevoir le présent mode d'emploi.

Cet appareil est équipé d'un dispositif de sécurité spécial. Lorsque le compresseur s'éteint, ce dispositif l'empêche de se rallumer pendant au moins 3 minutes.

2. AVANT L'UTILISATION

Important !

Conservez le matériel d'emballage (sacs en plastique, styromousse) hors de portée des enfants.

RISQUE D'ÉTOUFFEMENT. L'appareil peut contenir de petites pièces. Certaines de ces petites pièces peuvent devoir être démontées lors des opérations de nettoyage et de maintenance. Manipulez l'appareil avec précaution et gardez les petites pièces hors de portée des enfants.

2.1 Vérifier l'appareil

Après avoir retiré l'emballage, assurez-vous que le produit est complet, qu'il n'est pas endommagé et que tous les accessoires sont présents. N'utilisez pas l'appareil s'il est visiblement endommagé. Contactez le service clientèle de De'Longhi.

Conservez ces instructions

Ce produit est réservé à un usage domestique

INTRODUCTION

Merci d'avoir choisi un produit De'Longhi. Veuillez prendre quelques moments pour lire les instructions afin d'éviter les risques ou d'endommager l'appareil.

Téléchargez l'application !



Cet appareil peut également être utilisé avec l'application « Pinquino » qui peut être téléchargée sur l'App Store® ou sur Google Play. Pour accéder à toutes les fonctions, vous devez disposer d'un réseau local (Home WLAN) avec accès à Internet. Vérifiez aussi qu'il n'y a pas d'obstacles à l'accès à Internet, tels que pare-feu, proxy, authentifications etc.

DESCRIPTION

Description de l'appareil (voir page 3 - A)

- A1** Grille d'évacuation d'air
- A2** Tableau de commande
- A3** Poignées
- A4** Roues
- A5** Récepteur du signal de la télécommande
- A6** Logement de la télécommande
- A7** Filtre
- A8** Grille d'entrée d'air
- A9** Logement du flexible d'évacuation d'air
- A10** Grille d'entrée d'air
- A11** Flexible de purge inférieur avec bouchon
- A12** Câble d'alimentation électrique
- A13** Flexible de purge supérieur avec bouchon

Description des accessoires (voir page 3 - B)

- B1** Bride murale avec bouchon
- B2** Bouche de sortie pour fenêtre
- B3** Adaptateur du flexible pour le raccordement à la bride murale / bouche de sortie fenêtre
- B4** Flexible d'évacuation d'air
- B5** Adaptateur du flexible pour le raccordement à l'appareil
- B6** Support de fenêtre avec goupille de verrouillage
- B7** Support de fenêtre supplémentaire avec goupille de verrouillage
- B8** Tuyau de vidange de l'eau avec bouchon
- B9** Télécommande
- B10** Pare-poussière de fin de saison (uniquement sur certains modèles)
- B11** Sac d'accessoires de fin de saison (uniquement sur certains modèles)
- B12** Bande en mousse
- B13** Tuyau de purge d'eau supérieur

Raccord électrique

Avant de brancher l'appareil dans la prise, vérifiez les points suivants:

- L'alimentation électrique de la prise secteur correspond à la valeur indiquée sur la plaque signalétique à l'arrière de l'appareil;
- La prise et le réseau électrique conviennent à l'appareil ;
- La prise est une prise à 3 fiches reliée à la terre (⚡). Si ce n'est pas le cas, vous devez choisir une autre prise. Le non respect de ces instructions de sécurité importantes dégage le fabricant de toute responsabilité.

Si cela devient nécessaire, le câble d'alimentation doit être remplacé uniquement par un professionnel qualifié.

Les instructions ci-dessous vous permettront de préparer votre conditionneur d'air aussi efficacement que possible avant sa mise en service. Avant de l'utiliser, assurez-vous que les grilles d'entrée et de sortie d'air ne sont pas obstruées.

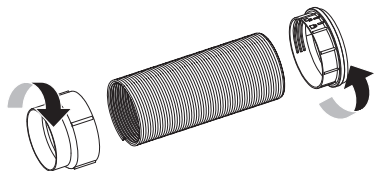
UTILISATION

Remarque : Cet appareil est doté de la fonction évaporation automatique pour éliminer la condensation d'eau en excès lorsqu'il fonctionne en mode refroidissement ou déshumidification.

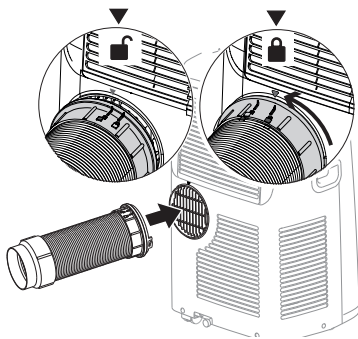
INSTALLATION MURALE DU CLIMATISEUR

Afin d'obtenir des résultats optimaux, installez votre appareil de la façon suivante:

- Vissez l'adaptateur du flexible **B3** et **B5** à l'extrémité du flexible **B4** tel qu'illustré sur la figure 1a.
- Logez l'adaptateur monté du flexible d'évacuation d'air **B5** dans le boîtier à l'arrière de l'appareil. Placer le symbole du cadenas ouvert reporté sur l'adaptateur (B5) en face de la flèche à l'arrière de l'appareil. Faites tourner l'adaptateur dans le sens inverse des aiguilles d'une montre jusqu'à ce que le symbole du cadenas fermé soit aligné avec la flèche, comme dans la figure 1b.

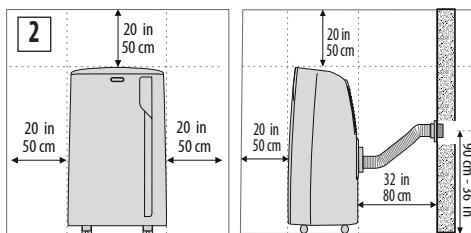


1a



1b

- Respectez les distances minimales indiquées dans la figure 2 ci-dessous.



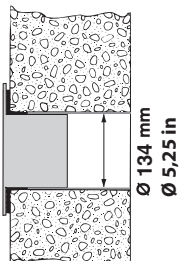
Procédez comme suit :

- percez un trou \varnothing 5,25 pouces (134 mm) dans un mur extérieur ou dans le bord en bois d'une fenêtre. Respectez les dimensions et la hauteur de l'orifice donné dans la figure 2 et 3.

3



dans la planche en bois d'une fenêtre française ou d'un panneau



dans le mur :
Il vaut mieux que vous isoliez la section de mur à l'aide d'un matériau isolant approprié

- Introduisez la bride de montage murale **B1** dans l'orifice.
- Logez le tuyau monté **B3-B4-B5** dans la bride de montage murale **B1**.

- Lorsque le tuyau d'air **B4** n'est pas connecté, l'orifice percé peut être fermé avec le bouchon de la bride **B1**.
- Lorsque vous installez le conditionneur d'air, vous devriez laisser une porte légèrement ouverte, d'environ 1 cm (1/2 pouce) afin de garantir une ventilation et une pression correcte dans la pièce.
- Conservez les tuyaux d'air aussi courts et exempts de courbures que possible afin d'éviter les étranglements.

Remarque:

Étant donné qu'il est nécessaire, pour ce type d'installation, d'utiliser des outils spéciaux, nous vous conseillons de faire installer l'appareil par un professionnel.

INSTALLATION DU CLIMATISEUR À UNE FENÊTRE

Vous pouvez également installer l'appareil dans une fenêtre à guillotine :

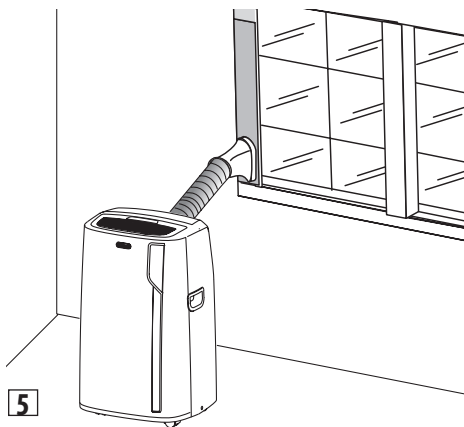
- Placez le support pour fenêtre sur le rebord de la fenêtre, étendez le support sur toute la largeur du cadre de la fenêtre, puis fixez le support en utilisant la goupille de verrouillage. Attachez la bande en mousse fournie **B12** sur le support pour fenêtre, puis fermez la fenêtre sur le support. (Si le support de fenêtre est trop grand pour la fenêtre, le plastique peut être coupé à l'aide d'une scie par un professionnel qualifié.)
- Logez le flexible d'évacuation d'air **B4** dans le boîtier prévu situé à l'arrière de l'appareil en utilisant l'adaptateur du flexible **B5**. Placer le symbole du cadenas ouvert reporté sur l'adaptateur **B5** en face de la flèche à l'arrière de l'appareil. Faites tourner l'adaptateur dans le sens inverse des aiguilles d'une montre jusqu'à ce que le symbole du cadenas fermé soit aligné avec la flèche, comme dans la figure 1b.
- Raccordez la bouche de sortie de fenêtre **B2** à l'autre extrémité du flexible d'évacuation d'air en utilisant l'adaptateur du flexible **B3**.
- Insérez la bouche de sortie de fenêtre **B2** du flexible d'évacuation dans la fente du support de fenêtre (fig. 4).



4

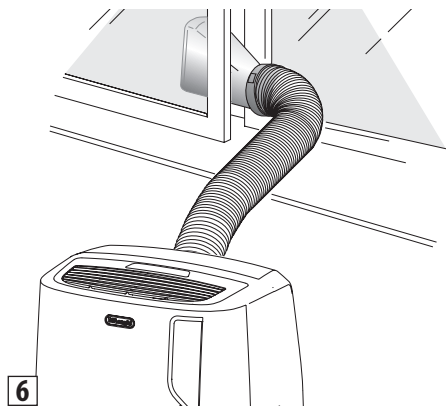
Autres méthodes d'installation :

- Grâce aux goupilles de verrouillage, il est possible d'utiliser le support de fenêtre également pour les fenêtres coulissantes. Positionnez l'orifice du support afin de permettre une installation correcte du flexible d'évacuation (voir fig. 5).



5

- Si vous avez une fenêtre croisée (figure 6) procédez comme suit:
Logez le flexible d'évacuation d'air monté **B4** dans le boîtier prévu à l'arrière de l'appareil, en utilisant l'adaptateur du flexible **B5**. Placer le symbole du cadenas ouvert reporté sur l'adaptateur **B5** en face de la flèche à l'arrière de l'appareil. Faites tourner l'adaptateur dans le sens inverse des aiguilles d'une montre jusqu'à ce que le symbole du cadenas fermé soit aligné avec la flèche, comme dans la figure 1b. Appliquez ensuite la bouche de sortie fenêtre **B2** au flexible d'évacuation d'air **B4** et placez-la à l'extérieur de la fenêtre pour permettre l'évacuation de l'air chaud.



Pour toute assistance concernant l'installation, le fonctionnement et pour tous les accessoires et pièces de rechange, veuillez contacter le numéro gratuit de notre service clientèle :

1-800-322-3848 [États-Unis uniquement]

1-888-335-6644 [Canada uniquement]

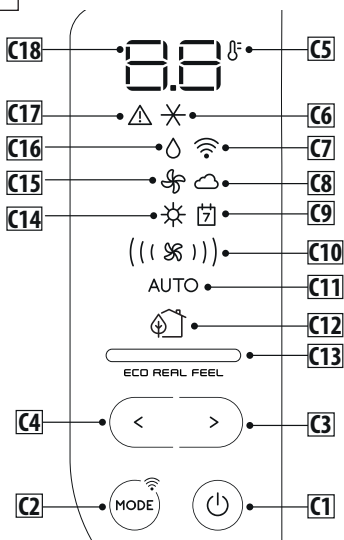
Ou connectez-vous sur notre site web à

www.delonghi.com

MANIPULATION À L'AIDE DU PANNEAU DE COMMANDE

DESCRIPTION DU PANNEAU DE COMMANDE (C)

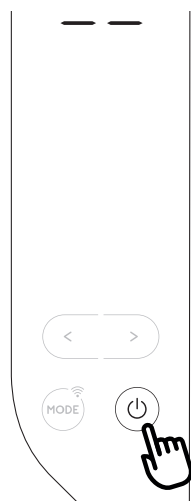
C




- C1.** Touche ON/STAND-BY (marche/veille)
- C2.** Touche de sélection de MODE (conditionnement d'air, dés-humidification, ventilation, chauffage, marche-arrêt Wi-Fi - réinitialisation des paramètres WLAN)
- C3.** Touche augmentation
- C4.** Touche diminution
- C5.** Indicateur de température
- C6.** Symbole de conditionnement d'air
- C7.** Symbole Wi-Fi
- C8.** Indicateur App
- C9.** Timer/calendrier App
- C10.** Indicateur de débit d'air
- C11.** Indicateur Auto
- C12.** Symbole ECO REAL FEEL (cette fonction est disponible uniquement à partir de la télécommande et de l'application)
- C13.** Indicateur ECO REAL FEEL
- C14.** Symbole de chauffage
- C15.** Symbole de ventilation
- C16.** Symbole de déshumidification
- C17.** Symbole Alarme
- C18.** Valeurs de températures réglées

MANIPULATION À L'AIDE DU PANNEAU DE COMMANDE


MISE EN MARCHE/EXTINCTION DE L'APPAREIL

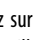


Avant de brancher l'appareil, vérifiez que les bouchons à l'arrière de l'appareil sont insérés correctement sur les flexibles de purge A11 et A13.

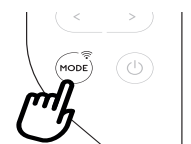
Insérez le bouchon dans la prise. Deux tirets apparaissent sur l'écran indiquant que l'appareil est en mode veille. Appuyez sur la touche  (C1) pour mettre l'appareil en marche. Lorsque l'appareil s'allume, la dernière fonction activée avant l'extinction se réactive.

REMARQUE: Après quelques secondes d'inactivité, la luminosité du panneau de contrôle sera automatiquement réduite et dans

les minutes qui suivent, elle sera réduite encore plus. Pour éteindre l'appareil, appuyez sur la touche .

Remarque: N'éteignez jamais le conditionneur d'air en débranchant simplement la prise. Appuyez sur la touche  afin de placer votre conditionneur d'air en veille et attendez quelques minutes avant de débrancher la prise. De cette manière, l'appareil peut effectuer les vérifications de l'état fonctionnel.

SÉLECTION DES MODES



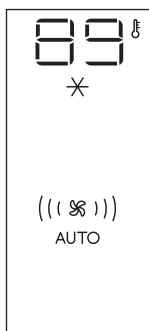
Pour sélectionner le mode de fonctionnement désiré, appuyez plusieurs fois sur la touche **MODE** jusqu'à ce que la fonction souhaitée soit sélectionnée.

FONCTION Wi-Fi



Pour sélectionner ou désactiver la fonction Wi-Fi, maintenez la pression sur la touche **MODE** pendant 3 secondes.

✖ MODE DE CONDITIONNEMENT D'AIR



Ceci est idéal pour les climats chauds et humide lorsque la pièce doit être à la fois refroidie et déshumidifiée.

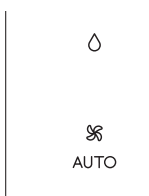
Pour régler correctement ce mode :
• Appuyez plusieurs fois sur la touche **MODE** jusqu'à ce que le symbole de conditionnement d'air apparaisse. L'écran montre le symbole **✖**.

• Pour passer à la température souhaitée, appuyez sur la touche **<** ou **>**.

Remarque: Les températures les plus adaptées pendant l'été sont comprises entre 75 et 81 °F. Cependant, il n'est pas recommandé de régler la température


beaucoup plus bas que la température extérieure. En mode conditionnement d'air, il n'est possible de sélectionner le débit d'air qu'à partir de la télécommande.

💧 MODE DÉSHUMIDIFICATION



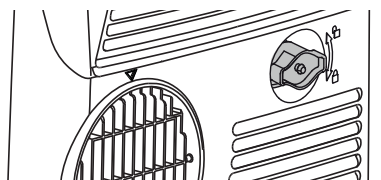
Ceci est idéal pour réduire l'humidité dans la pièce (au printemps et à l'automne, pièces humides, périodes pluvieuses, etc). Pour ce type d'utilisation, l'appareil doit être configuré de la même manière qu'en mode conditionnement d'air. En d'autres termes, le flexible

d'évacuation **B4** doit être fixé sur l'appareil pour permettre à l'humidité de se décharger à l'extérieur. Pour régler correctement ce mode :

- Appuyez plusieurs fois sur la touche **MODE** jusqu'à ce que le symbole de déshumidification s' affiche.
- L'appareil choisit automatiquement le meilleur débit de l'air.

Remarque:

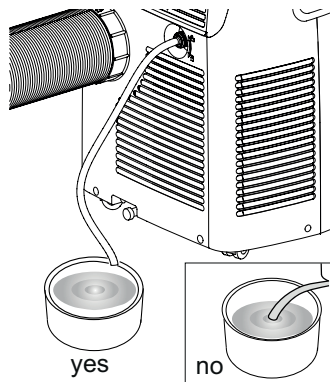
En cas de forte humidité ambiante, il est possible d'évacuer la condensation en continu en raccordant le tuyau fourni **B13** au flexible de purge supérieur **A13** (fig. 7) ce qui permettra à l'eau de s'écouler dans un récipient.



Dévissez le bouchon en suivant les directions indiquées par la flèche et en insérant le tuyau. Veillez à ce que l'eau ne déborde pas sur le sol (fig. 8). Si le connecteur n'est pas utilisé, pour évi-

ter que l'eau ne déborde sur le sol, n'oubliez pas de revisser le bouchon.

8




MODE VENTILATEUR



(((☼)))

Lorsque vous utilisez ce mode, le flexible d'évacuation d'air **B4** n'a pas besoin d'être raccordé à l'appareil. Pour régler correctement ce mode :

- Appuyez plusieurs fois sur la touche **MODE** jusqu'à ce que le symbole de la ventilation  apparaisse.
- Sélectionnez le débit d'air souhaité en appuyant sur les touches d'augmentation > **C3** ou diminution < **C4**.

Les débits d'air disponibles sont :


- (☼) **Débit d'air minimum** : quand un fonctionnement silencieux maximum est désiré.
- ((☼)) **Débit d'air moyen** : lorsque le niveau doit être faible mais sans nuire au niveau de confort.
- (((☼))) **Débit d'air maximum** : pour un rendement maximum.

MODE CHAUFFAGE (uniquement sur certains modèles)




C'est idéal au printemps et en automne lorsque les températures extérieures ne sont pas particulièrement sévères. Pour ce mode, l'appareil doit être préparé de la même manière que pour le conditionnement de l'air, avec le tuyau d'évacuation d'air **B4** raccordé.

Pour régler ce mode :

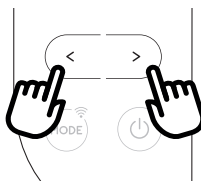
- Appuyez plusieurs fois sur la touche **MODE** jusqu'à ce que le symbole de chauffage  s'affiche.

- Appuyez sur la touche d'augmentation > **C3** ou de diminution < **C4** pour régler la température souhaitée.

Remarques:

- Dans ce mode, le débit d'air est automatiquement sélectionné par l'appareil et ne peut pas être réglé manuellement.
- En cas de fonctionnement dans des pièces très froides, l'appareil se dégivre automatiquement, interrompant temporairement le fonctionnement normal. Dans ce cas, « Lt » s'affiche à l'écran. Pendant cette opération, il est normal que le bruit produit par l'appareil change.
- Dans ce mode de fonctionnement, vous devrez peut-être attendre quelques minutes avant que l'appareil ne commence à fournir de l'air chaud.
- Dans ce mode, le ventilateur peut fonctionner pendant de courtes périodes, même si la température réglée a déjà été atteinte.
- Si l'écran s'allume et affiche l'alarme « HL », videz le bac intérieur en suivant les instructions de la section « Opérations de fin de saison ». Ensuite, appuyez de nouveau sur la touche  pour rétablir la fonction chauffage.

SÉLECTIONNEZ L'UNITÉ DE TEMPÉRATURE



Il est possible d'afficher la température en °C ou en °F. Pour changer l'unité de mesure de température, appuyez simultanément sur les touches d'augmentation et de diminution > et < pendant environ 10 secondes.

MANIPULATION À L'AIDE DE LA TÉLÉCOMMANDE INSÉRER OU REMPLACER LES BATTERIES

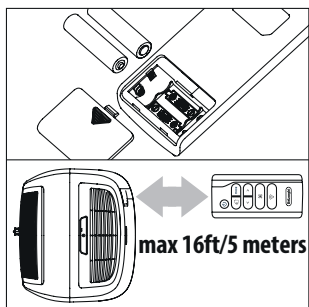
- Retirez le couvercle à l'arrière de la télécommande ;
- Insérez ou remplacez les piles usées par deux piles neuves LR03 « AAA » de 1,5 V, en les introduisant correctement (voir les instructions à l'intérieur du logement) ;
- Remplacez le couvercle.

Remarque: Si la télécommande est remplacée ou mise au rebut, les piles doivent être retirées et éliminées conformément à la législation actuelle car elles sont nocives pour l'environnement. Ne mélangez pas les anciennes et les nouvelles piles. Ne mélangez pas des piles alcalines, standard (carbone-zinc) ou rechargeable (nickel-cadmium). Ne jetez pas les piles dans le feu. Les piles peuvent exploser ou fuir. Si vous n'utilisez plus la télécommande pendant un certain temps, retirez les piles.

UTILISATION DE LA TÉLÉCOMMANDE

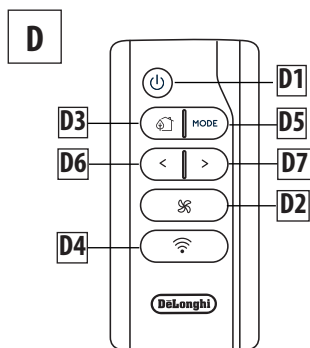
- Dirigez la télécommande vers le récepteur **A5** sur le conditionneur d'air. La télécommande ne doit pas être à plus de 16 pieds/5 mètres de l'appareil (sans obstacles entre la télécommande et le récepteur).
- La télécommande doit être manipulée avec précaution. Ne la laissez pas tomber, et ne l'exposez pas à la lumière directe du soleil ou à des sources de chaleur.

Remarque: La télécommande peut être rangée en toute sécurité dans le compartiment approprié **A6**.



DESCRIPTION DE LA TÉLÉCOMMANDE

- D1)** Touche ON/STAND-BY
- D2)** Touche de sélection de débit d'air
- D3)** Touche ECO REAL FEEL
- D4)** Touche WiFi
- D5)** Touche MODE
- D6-D7)** Touche de diminution/ augmentation



MISE EN MARCHÉ/ARRÊT DE L'APPAREIL

- Branchez le câble dans la prise secteur.
- Appuyez sur la touche **D1** pour allumer l'appareil (lorsqu'il est allumé, le climatiseur démarre dans le mode où il était lorsqu'il a été éteint).
- Pour éteindre l'appareil, appuyez sur la touche **D1**.

Remarque: N'éteignez jamais l'appareil en débranchant la prise.

Éteignez-le toujours en appuyant sur la touche **D1** et en attendant quelques minutes avant de retirer la prise. Ce n'est que de cette manière que l'appareil pourra effectuer ses contrôles standard.

SÉLECTION DES MODES DE FONCTIONNEMENT

La plupart des commandes disponibles sur la télécommande correspondent à celles du panneau de commande **C** (Voir schéma page 8).

SÉLECTIONNER LES TEMPÉRATURES

En mode conditionnement d'air et chauffage, appuyez sur les touches d'augmentation/diminution pour sélectionner la température souhaitée.

SÉLECTIONNER LE DÉBIT D'AIR

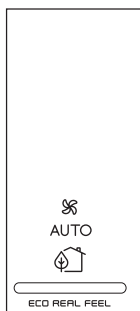
En mode conditionnement d'air et en mode ventilateur, appuyez sur le bouton de sélection du débit d'air **D2** de la télécommande pour sélectionner le débit d'air souhaité.

Les débits d'air disponibles sont :

- () **Débit d'air minimum** : quand un fonctionnement silencieux maximum est désiré.
- (()) **Débit d'air moyen** : lorsque le niveau du bruit doit être faible mais avec un bon niveau de confort.
- ((())) **Débit d'air maximum** : pour un rendement maximum.


L'appareil sélectionne automatiquement le débit d'air en fonction de la température sélectionnée et des conditions environnementales (Ceci est disponible uniquement en mode conditionnement de l'air).

FONCTION ECO REAL FEEL
(disponible uniquement à partir de la télécommande)



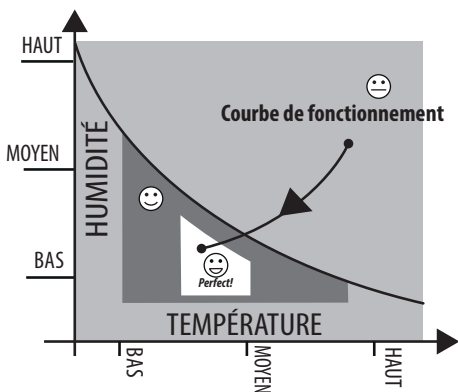
La fonction ECO REAL FEEL est une technologie innovante De'Longhi qui agit à la fois sur la réduction de la température et sur le contrôle de l'humidité, pour garantir un confort maximal.

Avec les systèmes traditionnels, pendant le temps de travail, des conditions de confort optimales peuvent être atteintes mais ne sont pas assurées avec le temps. Avec ECO REAL FEEL, une fois le confort


optimal obtenu, le conditionneur portable régule automatiquement le compresseur et le débit d'air pour le maintenir dans le temps. Pour activer la fonction, appuyez sur la touche Eco Real Feel **D3** de la télécommande. Le symbole ECO REAL FEEL  **C12** s'affiche.

Après environ 1 minute, l'indicateur ECO REAL FEEL **C13** s'allume. Il change de couleur quand on s'approche du niveau de confort optimal (voir le graphique suivant).

Remarque: Pour ce type d'utilisation, l'appareil doit être configuré de la même manière qu'en mode conditionnement d'air avec le flexible d'évacuation raccordé.



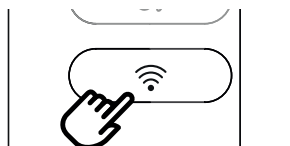
 **LUMIÈRE ORANGE :** Conditions de la pièce loin du niveau optimal.

 **LUMIÈRE VERTE :** La plupart des gens ressentent de bonnes conditions environnementales, proches du niveau optimal.

 **LUMIÈRE BLEUE :** Meilleur niveau de confort. *Perfect!*

Le sentiment de bien-être est une condition subjective : c'est la raison pour laquelle différentes personnes peuvent juger différemment les mêmes conditions environnementales. Dans des conditions environnementales particulièrement difficiles (température ou humidité élevée à l'extérieur, mauvaise isolation, trop de personnes, chaleur élevée dans la pièce, forte exposition au soleil, etc...), cet appareil peut ne pas être en mesure d'atteindre le meilleur niveau de confort.

📶 FONCTION WI-FI



Pour activer la fonction WiFi, maintenir enfoncée la touche WiFi sur la télécommande pendant quelques secondes jusqu'à l'émission de deux bips.

Une fois que l'icône WiFi est affichée, cela signifie que les fonctionnalités WiFi sont disponibles.

📶 SYMBOLE WI-FI ALLUMÉ EN CONTINU



Cela signifie que les fonctions WiFi sont actives et que le réseau local « Home WLAN » a été trouvé.

📶 CLIGNOTEMENT LENT



Cela signifie que l'appareil cherche le « Home WLAN ».

📶 CLIGNOTEMENT RAPIDE



Cela signifie qu'il n'a pas été possible de trouver le « Home WLAN » ou que celui-ci n'a pas encore été mise en place.



☁️ ICÔNE « COMMANDE APP »

Quand l'icône COMMANDE APP s'affiche, cela signifie que la dernière commande a été reçue via l'application.

Si les paramètres « Home WLAN » mémorisés doivent être changés, procédez comme suit :

- Maintenez la touche **MODE** enfoncée pendant environ 20 secondes **C2** sur le panneau de commande jusqu'à ce qu'un bip prolongé soit émis ;
- utilisez l'application pour accéder aux nouveaux paramètres WLAN dans l'appareil.

🕒 RÉGLAGE DE LA MINUTERIE

La programmation par minuterie est une fonction exclusive de l'application : grâce aux nombreuses possibilités de programmation par minuterie, vous pouvez éviter le gaspillage d'électricité en optimisant la période de fonctionnement, en réglant un démarrage ou un arrêt différé de l'appareil.

INFORMATIONS SUR LA CONFORMITÉ AVEC LES RÈGLES DE LA FCC ET CEM POUR LE CANADA

Cet appareil est conforme à la partie 15 des règles FCC. Le fonctionnement est soumis aux deux conditions suivantes :

- (1) L'appareil ne doit pas produire d'interférences nocives, et
- (2) l'utilisateur de l'appareil doit accepter toute interférence reçue, même si cette interférence est susceptible d'en compromettre le fonctionnement.

REMARQUE: Cet équipement a été testé et jugé conforme aux critères de seuils pour un appareil numérique de classe B, conformément à la partie 15 des Règles de la FCC. Ces seuils sont destinés à fournir une protection raisonnable contre les interférences nuisibles dans une installation résidentielle. Cet équipement génère, utilise et émet de l'énergie de fréquence radio et, s'il n'est pas installé et utilisé conformément aux instructions, peut provoquer des interférences nocives avec les communications radio. Cependant, rien ne garantit qu'aucune interférence ne se produira dans une installation particulière. Si cet équipement cause des interférences nocives à la réception d'émissions radio ou télévisées, ce qui peut être déterminé en allumant et en éteignant l'équipement, l'utilisateur devrait essayer de corriger les interférences à l'aide de l'une ou plusieurs des mesures suivantes :

- Réorienter ou relocaliser l'antenne de réception.
- Augmenter la séparation entre l'équipement et le récepteur.
- Connecter l'équipement dans une prise sur un circuit différent de celui auquel le récepteur est connecté.
- Consulter le revendeur ou un technicien expérimenté en radio/TV pour obtenir une assistance.

Approuvé en vertu de la disposition de certification de la partie 15 de la FCC en tant qu'appareil numérique de classe B.

Attention : Des changements ou modifications non expressément approuvés par le fabricant peuvent annuler l'autorisation de l'utilisateur d'utiliser l'équipement.

Attention : Pour être conforme aux limites s'appliquant aux appareils numériques de classe B, conformément à la partie 15 des règles de la FCC, cet appareil doit être conforme aux limites de classe B. Tous les périphériques doivent être blindés et mis à la terre. Le fonctionnement avec des périphériques non certifiés ou des câbles non blindés peut entraîner des interférences avec la radio ou la réception.

Cet appareil numérique de la classe B est conforme à la norme NMB-003 du Canada.

INFORMATIONS SUR LA CONFORMITÉ DE L'ÉMETTEUR SANS FIL

Le terme «IC» avant le numéro de certification radio signifie seulement que les spécifications techniques d'Industrie Canada ont été respectées.

Le présent appareil est conforme aux CNR d'Industrie Canada applicables aux appareils radio exempts de licence. L'exploitation est autorisée aux deux conditions suivantes :

- (1) l'appareil ne doit pas produire de brouillage ;
- (2) l'utilisateur de l'appareil doit accepter tout brouillage radioélectrique subi, même si le brouillage est susceptible d'en compromettre le fonctionnement.

Cet appareil est conforme à FCC et IC l'exposition aux rayonnements limites fixées pour un environnement non contrôlé.

Cet appareil doit être installé et utilisé avec une distance minimale de 20 cm entre le radiateur et votre corps.

Cet transmetteur ne doit pas être co-situé ou opérant en liaison avec toute autre antenne ou transmetteur.

DÉCLARATION D'EXPOSITION AUX RAYONNEMENTS

Cet équipement est conforme aux limites d'exposition aux rayonnements exigées par la norme RSS-102 de l'IC et par FCC et d'IC pour un environnement non contrôlé.

Cet équipement doit être installé et utilisé avec une distance minimale de 20 cm entre l'appareil et votre corps.

Étiquetage du dispositif hôte

Ce dispositif comprend le module suivant.

Contient ID FCC :

2ANDL3-TYWE15

Étiquetage du dispositif hôte





Ce dispositif comprend le module suivant.

Contient IC :

23243-TYWE15

AUTO-DIAGNOSTIC

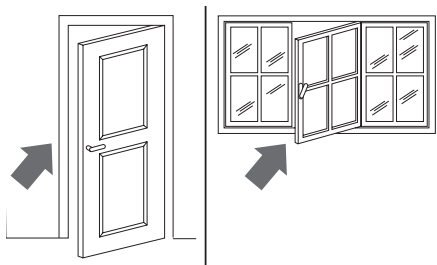
L'appareil possède un système d'auto-diagnostic permettant d'identifier un certain nombre d'avertissements/dysfonctionnements. Les messages d'erreur s'affichent sur l'écran de l'appareil.

SI ... S'AFFICHE,	SI ... S'AFFICHE,	SI ... S'AFFICHE,	SI ... S'AFFICHE,
			
« Basse température » (prévention contre le givre)	« Température haute » (Protection contre surchauffe)	« Échec sonde » (Sonde endommagée)	« Niveau élevé » (Bac intérieur plein)
..QUE DEVRAIS-JE FAIRE ? L'appareil est équipé d'un dispositif de protection anti-gel afin d'éviter la formation excessive de glace. L'appareil redémarre automatiquement lorsque le processus de dégivrage est terminé.	..QUE DEVRAIS-JE FAIRE ? L'appareil est équipé d'un dispositif de surchauffe qui, en cas de conditions de fonctionnement avec une température ambiante excessive pendant une période prolongée, mettra l'appareil en mode ventilation uniquement. Le fonctionnement de l'appareil sera automatiquement rétabli dès que la température sera proche des conditions limites de fonctionnement.	..QUE DEVRAIS-JE FAIRE ? Si c'est affiché, contactez le numéro gratuit de notre service clientèle.	..QUE DEVRAIS-JE FAIRE ? Vider le réservoir de sécurité interne en suivant les instructions de la section "Opérations de fin de saison".

CONSEILS POUR L'UTILISATION

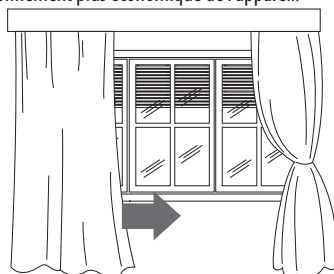
Afin d'obtenir des résultats optimaux de votre conditionneur d'air, suivez les recommandations suivantes :

- Fermez les fenêtres et les portes de la pièce à traiter. Lorsque vous installez le conditionneur d'air de façon semi-permanente, vous devriez laisser la porte légèrement ouverte (environ 1/2" po. (1 cm)) afin de garantir une ventilation adéquate.



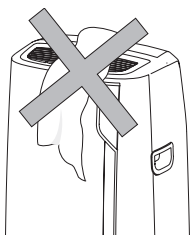
Fermez les portes et les fenêtres

- N'utilisez jamais l'appareil dans des pièces très humides (les buanderies par exemple).
- Protégez la pièce de l'exposition directe au soleil en fermant partiellement les rideaux et/ou les volets afin d'obtenir un fonctionnement plus économique de l'appareil.



Fermez les volets ou les rideaux

- N'utilisez jamais l'appareil à l'extérieur.
- Assurez-vous qu'il n'y a pas de source de chaleur dans la pièce.
- Assurez-vous que le conditionneur d'air est placé sur une surface horizontale.



ne couvrez pas l'appareil

- Ne posez jamais d'objets quels qu'ils soient sur le conditionneur d'air.
- N'obstruez jamais les grilles d'entrée ou de sortie d'air.

NETTOYAGE

Avant le nettoyage ou la maintenance, éteignez l'appareil avec la touche , puis débranchez-la de la prise.

NETTOYAGE DE L'ARMOIRE

Vous devriez nettoyer l'appareil avec un chiffon légèrement humide, puis l'essuyer avec un chiffon sec. Pour des raisons de sécurité, ne lavez jamais le conditionneur d'air avec de l'eau.

Précautions

N'utilisez jamais de l'essence, de l'alcool ou des solvants pour nettoyer l'appareil. Ne répandez jamais de liquides insecticides ou autres.

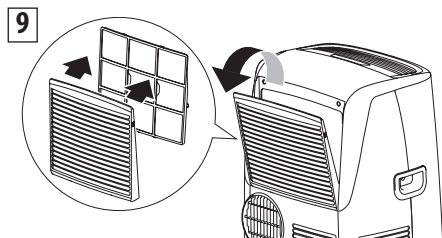
NETTOYAGE DU FILTRE À AIR

Si le filtre est sale, la circulation d'air est compromise et l'efficacité de l'appareil diminue.

Il est donc recommandé de nettoyer le filtre à intervalles réguliers. La fréquence dépend de la durée et des conditions de fonctionnement. Si l'appareil est utilisé de façon continue ou systématique, il est recommandé de nettoyer le filtre une fois par semaine.

Le filtre est situé dans la grille d'entrée d'air.

Retirez la grille pour accéder au filtre. Pour nettoyer le filtre, il est nécessaire de l'extraire comme illustré à la fig. 9.



Utilisez un aspirateur pour éliminer toute poussière déposée

sur le filtre. S'il est très sale, plongez-le dans de l'eau chaude et rincez-le plusieurs fois. La température de l'eau ne doit pas dépasser 104° F (40°C).

Après avoir lavé le filtre, laissez-le sécher complètement avant de le remettre en place.

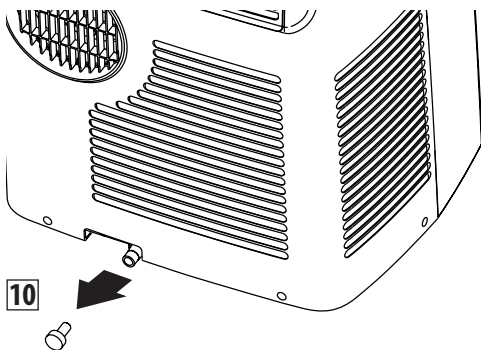
INSPECTIONS AU DÉBUT DE LA SAISON

Assurez-vous que le câble d'alimentation est en parfait état et que le système de mise à la terre est approprié. Conformez-vous strictement aux normes d'installation.

OPÉRATIONS DE FIN DE SAISON

Pour purger toute l'eau du circuit, retirez le capuchon **A11** de l'évacuation à l'arrière de l'appareil et laissez l'eau s'écouler dans une bassine (fig. 10).

Pour faciliter cette opération, il est possible en début de la saison, d'appliquer le tuyau de vidange d'eau avec le bouchon **B8**. Afin de bien ranger l'appareil à la fin de la saison, nous vous conseillons de le couvrir avec le pare-poussière de fin de saison **B10** fourni et de placer les accessoires dans le sac d'accessoires de fin de saison **B11**.



Lorsque l'appareil est vide, remplacez le bouchon.

Nettoyez le filtre et séchez-le entièrement avant de le replacer. L'appareil doit être stocké dans un grand espace bien ventilé.

SPÉCIFICATIONS TECHNIQUES

Tension d'alimentation	voir la plaque signalétique
Puissance maximale absorbée pendant le conditionnement d'air	"
Réfrigérant	"
Capacité de refroidissement	"

CONDITIONS LIMITES

Température de la pièce pour

Air conditionné 64 - 95°F (18° - 35°C)

Température de la chambre pour
la fonction chauffage

(uniquement sur certains modèles) 50 - 77°F (10 - 25°C)

Humidité relative maximale : 80% RH

Toutes les opérations de transport, remplissage, nettoyage, récupération et élimination du réfrigérant doivent être effectuées uniquement par un centre de maintenance agréé par le fabricant.

Cet appareil doit être éliminé par un centre agréé désigné par votre municipalité.

AFIN D'ÉVITER TOUT DOMMAGE À L'APPAREIL,

NE TRANSPORTEZ NI NE RENVERSEZ L'APPAREIL À L'ENVERS OU SUR LE CÔTÉ. SI CELA SE PRODUIT, ATTENDEZ 6 HEURES AVANT D'ALLUMER L'APPAREIL, 24 HEURES SONT RECOMMANDÉES. Une fois que l'appareil a été placé sur le côté, l'huile doit revenir vers le compresseur afin de garantir un fonctionnement adéquat. Si l'on ne laisse pas reposer l'appareil pendant ce laps de temps (6-24 heures), l'unité peut fonctionner uniquement pendant une période courte, puis le compresseur va tomber en panne par manque d'huile.

RACCORD ÉLECTRIQUE

Cet appareil est équipé d'une prise à 3 fiches avec mise à la terre. La prise doit être connectée dans une prise qu'elle est convenablement installée et mise à la terre conformément avec tous les codes et ordonnances locaux. Ne modifiez pas la prise fournie avec l'appareil. Si elle ne s'adapte pas dans la prise secteur, faites installer une prise secteur convenable par un électricien qualifié ou relocalisez l'appareil à côté d'une prise adéquate. Si l'alimentation électrique domestique ne répond pas aux spécifications ci-dessus, ou si vous n'êtes pas sûr que votre domicile dispose d'une mise à la terre effective, faites vérifier cela par un électricien qualifié ou l'entreprise de distribution et faites corriger tout problème.

PRISE DE SÉCURITÉ

L'appareil est doté d'une prise de sécurité pour protéger le câble d'alimentation. En cas de coupure du courant, débranchez le câble de la prise et vérifiez que le câble d'alimentation n'est pas endommagé. Si le câble est endommagé, appelez le centre de maintenance immédiatement. S'il y a fréquemment des coupures de courant et si le câble d'alimentation n'est pas endommagé, contactez un électricien qualifié.

FONCTIONNEMENT DE LA PRISE DE SÉCURITÉ

Si le dispositif de sécurité incorporé dans la prise se déclenche et coupe l'alimentation électrique, vérifiez que le câble d'alimentation et la prise ne sont pas endommagés. Si le câble d'alimentation n'est pas endommagé, appuyez sur la touche « RESET » afin de remettre l'appareil en marche. Pour vérifier le fonctionnement correct de la prise, appuyez sur la touche « TEST » périodiquement et assurez-vous que l'appareil se déconnecte. Si ce n'est pas le cas, contactez le centre de maintenance. Pour remettre l'appareil en marche, appuyez sur la touche « RESET ».

DÉPANNAGE

Veuillez contrôler les points suivants avant d'appeler le numéro gratuit du service clientèle.

PROBLÈMES	CAUSES	SOLUTIONS
Le conditionneur d'air ne s'allume pas	Il n'est pas branché	branchez-le
	il n'y a pas de courant	attendre au moins 3 minutes et essayer de nouveau
	le dispositif de protection interne a été déclenché	appeler le centre d'assistance
Le conditionneur d'air fonctionne pendant un court instant	le flexible d'évacuation d'air est obstrué ou tordu	positionnez correctement le flexible d'évacuation d'air, en limitant la longueur et les courbures autant que possible et en évitant toutes les obstructions
	Une obstruction empêche l'air de s'évacuer à l'extérieur	Identifiez et retirez les obstacles qui empêchent l'air de sortir
Le conditionneur d'air fonctionne mais ne refroidit pas la pièce	Fenêtres, portes, rideaux ouverts	Fermez la fenêtre, les portes et les rideaux, en gardant à l'esprit les « recommandations pour l'utilisation »
	Des sources de chaleur sont présentes dans la pièce (par ex. four etc.)	Éliminez la source de chaleur
	Le flexible d'évacuation d'air est débranché de l'appareil	Fixez le flexible d'évacuation de l'air au boîtier à l'arrière de l'appareil (fig.1b)
	Filtres à poussière obstrués	Nettoyez ou remplacez les filtres comme décrit précédemment
Pendant le fonctionnement, il y a une odeur déplaisante dans la pièce	Filtres à poussière obstrués	Nettoyez ou remplacez les filtres comme décrit précédemment
Le conditionneur d'air ne fonctionne pas pendant 3 minutes après le redémarrage	Pour protéger le compresseur, un dispositif interne retarde le démarrage pendant 3 minutes après le redémarrage	attendre le temps recommandé et réessayer
Le bac intérieur est plein	humidité ambiante élevée	raccorder le flexible de purge de l'eau fourni (B13) au flexible de purge supérieur (A13) pour permettre à l'eau de s'écouler dans un récipient. Faites attention à ce que l'eau ne déborde pas sur le sol.
Un des messages suivants s'affiche : <i>Lt/Ht/PF/HL</i>	L'appareil possède un système d'auto-diagnostic permettant d'identifier certaines erreurs de fonctionnement	Référez-vous au chapitre AUTO-DIAGNOSTIC

Importantes medidas de seguridad

- El aparato no debe ser usado por personas (incluidos los niños) con capacidades físicas, sensoriales o mentales disminuidas, o con falta de experiencia y conocimiento, a menos que sean supervisados o instruidos acerca del uso del aparato por una persona responsable de su seguridad.
- Los niños deben ser supervisados para asegurarse de que no jueguen con el aparato.
- En caso de que el CABLE DE ALIMENTACIÓN se dañe, debe ser reparado por el fabricante, su agente de servicio o personas calificadas similares para evitar un peligro.
- El aparato debe instalarse de conformidad con los reglamentos nacionales.

Como el aparato funciona con electricidad, no se puede excluir la posibilidad de una descarga eléctrica.

Por lo tanto, deben seguirse las siguientes precauciones de seguridad:

- Después de quitar el empaque, controle la condición del aparato. En caso de dudas, no use el aparato y contacte a personal profesionalmente cualificado.
- Antes del uso, compruebe siempre el estado del cable de alimentación.
- Es peligroso modificar o alterar las características del aparato de cualquier modo.
- Este aparato debe ser conectado a un sistema eficiente de "toma de tierra". Hagan controlar la instalación eléctrica por un electricista cualificado.
- Antes de efectuar cualquier operación de limpieza o de mantenimiento, desenchúfelo del tomacorriente.
- Nunca sumerja el aparato en agua.
- No use el aparato en el exterior.
- No obstruya las entrada y las salidas de aire.

- Cuando el aparato esté conectado a la red eléctrica, tenga en cuenta las siguientes normas de seguridad:
- No toque el aparato con las manos mojadas o húmedas;
- No use el aparato descalzo o con los pies mojados;
- No hale el cable de alimentación o el aparato para desconectar el enchufe de la toma de corriente;
- No mueva el aparato halando el cable de alimentación.
- Mantenga el aparato alejado del alcance de los niños;
- No introduzca cuerpos extraños en el aparato;
- No introduzca objetos de metal en las aberturas. ¡Peligro! Las partes giratorias; el contacto con el ventilador interno podría causar una descarga eléctrica o lesiones.
- No deje el aparato expuesto a agentes atmosféricos;
- Si usted desea eliminar permanentemente el aparato, después de desconectar el enchufe de la toma de corriente se recomienda inutilizarlo cortando el cable de alimentación.
- En caso de falla y/o mal funcionamiento, apague el aparato sin manipularlo. Para todas las reparaciones, póngase en contacto con un centro de servicio técnico autorizado y solicite el uso de piezas de repuesto y accesorios originales.
- Evite el uso de alargadores de cable de alimentación.

Uso previsto

Este aparato debe ser utilizado exclusivamente en ambiente doméstico y para el fin para el que fue diseñado. Todos los demás usos se consideran inadecuados y, por lo tanto, peligrosos. El fabricante no se hace responsable de los daños causados por un uso inadecuado, erróneo e irresponsable, y/o por reparaciones realizadas por personal no cualificado.

Instalación del aparato

- El aparato debe instalarse de conformidad con las normas nacionales que regulan los sistemas eléctricos.

- No utilice su aire acondicionado en una habitación húmeda como un baño o una lavandería.
- No instale el aparato en habitaciones que contengan gas, aceite o azufre o cercano a fuentes de calor.
- No use el aparato en superficies inclinadas.
- Mantenga el aparato a una distancia mínima de 20" (52cm) de sustancias inflamables (alcohol, etc.) o de recipientes a presión (por ejemplo, latas de aerosol).
- No coloque objetos encima del aparato.
- Cuando se transporte, el aparato debe mantenerse en posición vertical. Si esto no es posible, asegure la unidad en un ángulo, no la coloque horizontalmente.
- Antes de transportar la unidad, vacíe la unidad.
- Antes de transportarla, espere al menos 6 horas antes de encender la unidad.
- No perfore ninguna parte del circuito refrigerante.
- El servicio será realizado solo según las recomendaciones del fabricante.
- El aparato debe almacenarse en un lugar seguro para prevenir el daño de la unidad.
- Las personas que operen o trabajen en el circuito refrigerante deben tener la certificación adecuada emitida por una organización acreditada que garantice la competencia en la manipulación de refrigerantes de acuerdo con una evaluación específica reconocida por las asociaciones de la industria.
- Las reparaciones deben ser realizadas basadas en las recomendaciones de la empresa fabricante. El mantenimiento y las reparaciones que requieren la asistencia de otro personal cualificado deben ser realizadas bajo la supervisión de una persona específica en el uso de refrigerantes inflamables.

Información ambiental

- Los materiales usados para el empaque pueden ser reciclados. Por lo tanto, le sugerimos ponerlos en los contenedores especiales para la recolección diferenciada de desechos.



Información específica sobre los aparatos con gas refrigerante R32

- Lea detenidamente todas las advertencias.
- Cuando descongele y limpie el aparato, no use otras herramientas que las recomendadas por la empresa fabricante.
- El aparato se almacenará en un área bien ventilada;
- El aparato se debe almacenar en una habitación sin llamas abiertas que funcionen continuamente (por ejemplo, un aparato de gas en funcionamiento) y sin fuentes de ignición (por ejemplo, un calentador eléctrico en funcionamiento).
- No queme ninguna parte del aparato.
- Los gases refrigerantes pueden ser inodoros.
- Este aparato contiene gas refrigerante R32. (Para más detalles sobre el refrigerante, vea la contratapa).

1. INFORMACIÓN GENERAL

1.1 Instrucciones para el uso

Lea atentamente todas las Instrucciones para el Uso antes de utilizar el aparato. El incumplimiento de estas Instrucciones para el Uso puede provocar quemaduras o daños en el aparato.

El fabricante no se hace responsable de los daños derivados del incumplimiento de estas Instrucciones para el Uso.

ADVERTENCIA: Los cambios o modificaciones no aprobados expresamente por la parte responsable del cumplimiento podrían anular la autoridad del usuario para operar el equipo.

Por favor observe:

Estas advertencias de seguridad son válidas para todos los aires acondicionados De'Longhi.

Si el aparato es pasado a otras personas, también se les debe proporcionar esta Instrucción para el uso.

Este aparato está equipado con un dispositivo de seguridad especial. Cuando se apaga el compresor, este dispositivo impide que se encienda de nuevo durante al menos 3 minutos.

2. ANTES DE SU USO

¡Importante!

Almacene el material de embalaje (bolsas de plástico, poliestireno) lejos del alcance de los niños. PELIGRO DE ASFIXIA. El aparato puede contener piezas pequeñas. Podría ser necesario desmontar algunas de esas piezas pequeñas durante las operaciones de limpieza y mantenimiento. Maneje con cuidado y mantenga las piezas pequeñas fuera del alcance de los niños.

2.1 Control del aparato

Después de quitar el embalaje, asegúrese de que el producto esté completo y sin daños y que todos los accesorios estén presentes. No use el aparato si hay daño visible. Contacte el Servicio al Cliente De'Longhi.

Guarde estas instrucciones
Este producto está destinado exclusivamente al uso doméstico

INTRODUCCIÓN

Gracias por elegir un producto De'Longhi. Le rogamos que dedique unos instantes a leer las instrucciones para evitar riesgos o daños en el aparato.

¡Descargue la App!



Este aparato puede usarse también con la APP llamada "Pinguino" que puede descargarse desde el App Store® o desde Google Play. Para tener acceso a todas las funciones se necesita una red local (Home WLAN) con acceso a Internet. Además, controle que no haya obstáculos para el acceso a Internet, como Cortafuegos, Proxy, autenticaciones, etc,

DESCRIPCIÓN

Descripción del aparato (consulte la página 3 - A)

- A1** Rejilla de salida de aire
- A2** Panel de control
- A3** Manijas
- A4** Ruedas
- A5** Señal de control remoto
- A6** Almacenamiento de control remoto
- A7** Filtro
- A8** Rejilla de entrada de aire
- A9** Receptáculo de manguera de escape de aire
- A10** Rejilla de entrada de aire
- A11** Manguera de drenaje inferior con tapa
- A12** Cable de alimentación
- A13** Manguera de drenaje inferior con tapa

Descripción de los accesorios (consulte la página 3 - B)

- B1** Brida de pared con tapón
- B2** Salida ventana de ventilación
- B3** Adaptador de manguera para brida de pared/salida ventana de ventilación
- B4** Manguera de escape de aire
- B5** Adaptador de manguera para unidad
- B6** Soporte de la ventana con pasador de bloqueo
- B7** Soporte adicional de la ventana con pasador de bloqueo
- B8** Tubo de drenaje de agua con tapa
- B9** Control remoto
- B10** Protector contra el polvo de fin de temporada (solo en algunos modelos)
- B11** Bolsa de accesorios de fin de temporada (solo en algunos modelos)
- B12** Tira de espuma
- B13** Tubo de drenaje de agua superior

Conexión eléctrica

Antes de enchufar el aparato a la toma de corriente, compruebe que:

- El suministro de energía de salida corresponda con el valor indicado en la etiqueta de valor nominal del aparato;
- La salida y circuito eléctrico sean adecuados para el aparato;
- La toma es una toma de tierra de 3 orificios (Ⓜ). Si este no es el caso, debe elegir otra toma de corriente. El incumplimiento de estas instrucciones de seguridad importantes libera al fabricante de toda responsabilidad.

Si es necesario, el cable de alimentación debe ser reemplazado por un profesional cualificado.

Las instrucciones de abajo, le permitirán programar su aire acondicionado para un funcionamiento lo más eficiente posible. Antes de utilizarlo, asegúrese de que las rejillas de entrada y de salida de aire no estén obstruidas.

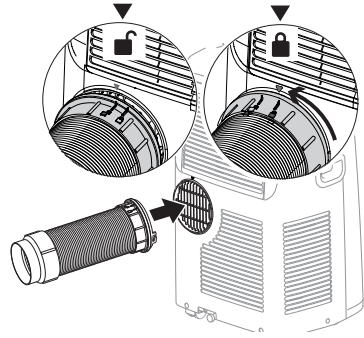
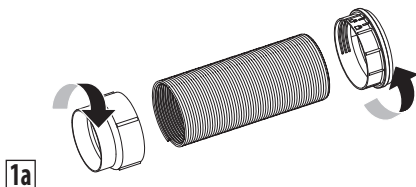
USO

Nota: Este aparato posee una función autoevaporante para remover el exceso de agua condensada durante los modos de enfriamiento y deshumidificación.

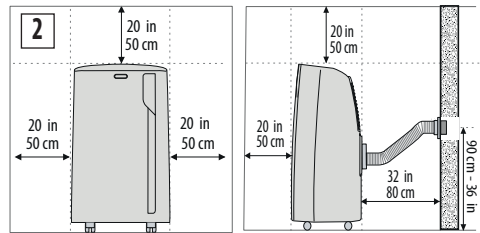
AIRE ACONDICIONADO CON INSTALACIÓN DE PARED

Para resultados óptimos configure su aparato de esta manera:

- Enroscar el adaptador de manguera **B3** y **B5** al extremo de la manguera **B4** as como se muestra en la figura 1a.
- Coloque el adaptador de la manguera de escape de aire montada **B5** en el receptáculo en la parte posterior del aparato. Alinee el símbolo del candado abierto en el adaptador (**B5**) con la flecha en la parte trasera de la unidad. Gire en sentido antihorario hasta que el símbolo de candado cerrado esté alineado con la flecha, como se muestra en la figura 1b.

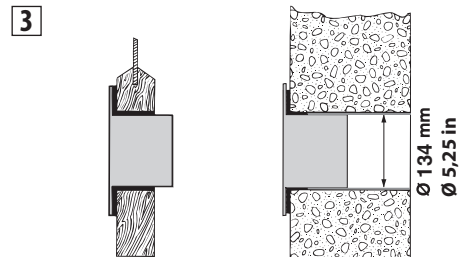


- Respete las distancias mínimas dadas en la figura 2 abajo.



Proceda como sigue:

- Perfore un orificio de \varnothing 5,25 pulgadas (134 mm) en una pared externa o a través de una tabla de madera. Respete las dimensiones y la altura del orificio de la figura 2 y 3.



en la tabla de madera de una puerta ventana o panel

en la pared:
Se recomienda aislar la sección de la pared usando aislamiento apropiado

- Coloque la brida de pared **B1** en el orificio.
- Coloque la manguera ensamblada **B3-B4-B5** en la brida de pared **B1**.
- Cuando la manguera de aire **B4** no está conectada, el orificio puede ser cerrado con el tapón de brida **B1**.

- Al instalar el aire acondicionado, usted debe dejar una puerta ligeramente abierta apenas 1/2" (1 cm) para garantizar la correcta ventilación y presión en la habitación.
- Mantenga las mangueras de aire tan cortas y libres de curvas como sea posible para evitar constricciones.

Nota:

Dado que se requieren herramientas especiales para este tipo de instalación, le sugerimos que personal especializado instale el aparato.

AIRE ACONDICIONADO CON INSTALACIÓN DE VENTANA

También se puede configurar en una ventana doble:

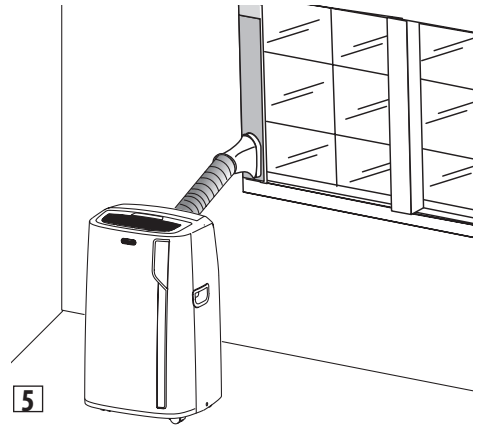
- Coloque el soporte de la ventana en el alféizar, extienda completamente el soporte hasta el marco de la ventana, fije el soporte en el lugar usando el pasador de bloqueo. Coloque la tira de espuma suministrada **B12** en la parte superior del soporte de la ventana y luego en la parte inferior del soporte de la misma. (Si el soporte de la ventana es demasiado grande para la ventana, un profesional calificado puede cortar el plástico con una sierra.)
- Coloque la manguera de escape de aire **B4** en el correspondiente receptáculo ubicado en la parte posterior del aparato usando un adaptador de manguera **B5**. Alinee el símbolo del candado abierto en el adaptador **B5** con la flecha en la parte trasera de la unidad. Gire en sentido antihorario hasta que el símbolo de candado cerrado esté alineado con la flecha, como se muestra en la figura 1b.
- Conecte la salida ventana de ventilación **B2** al otro extremo del tubo de escape usando el adaptador de manguera **B3**.
- Inserte la salida ventana de ventilación **B2** del tubo de escape en la ranura del soporte de ventana (fig. 4).



4

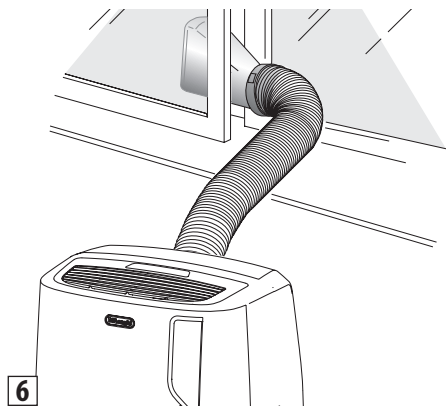
Otros métodos de configuración:

- Gracias a los pasadores de bloqueo, es posible utilizar el soporte de la ventana también para ventanas deslizantes. Posicione el orificio de la brida para permitir la correcta instalación de la manguera de escape (consulte la figura 5).



5

- Si usted tiene una ventana abatible (figura 6), proceda de la siguiente manera:
Coloque la manguera de escape de aire montada **B4** en el correspondiente receptáculo ubicado en la parte posterior del aparato, usando un adaptador de manguera **B5**. Alinee el símbolo del candado abierto en el adaptador **B5** con la flecha en la parte trasera de la unidad. Gire en sentido antihorario hasta que el símbolo de candado cerrado esté alineado con la flecha, como se muestra en la figura 1b. Luego, conecte la salida ventana de ventilación **B2** a la manguera de escape de aire **B4** y colóquela fuera de la ventana para el escape del aire caliente.



Para obtener ayuda con la instalación, operación y para todos los accesorios y piezas de recambio/repuesto, póngase en contacto con nuestro centro de servicio de atención al cliente gratuito en:

1-800-322-3848 [Solo EE.UU.]

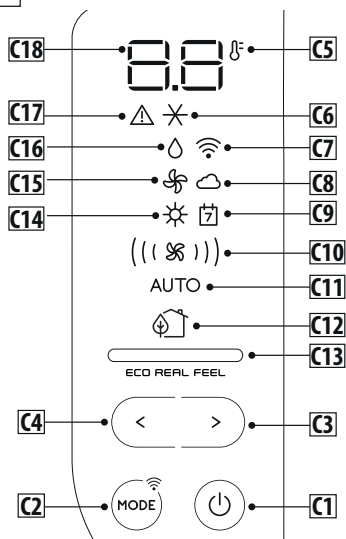
1-888-335-6644 [Solo Canadá]

O inicie sesión en nuestro sitio web en

www.delonghi.com

OPERACIÓN DESDE EL PANEL DE CONTROL

C

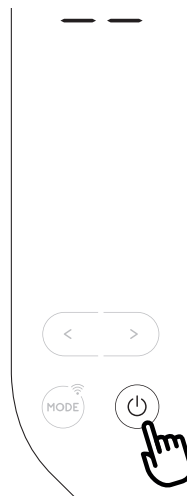


DESCRIPCIÓN DEL PANEL DE CONTROL (C)

- C1.** Tecla ON/STAND-BY (on/off)
- C2.** Tecla de selección MODE (aire acondicionado, deshumidificación, ventilador, calefacción, ON-OFF WiFi - restablecimiento ajustes WLAN)
- C3.** Tecla de aumento
- C4.** Tecla de reducción
- C5.** Indicador de temperatura
- C6.** Símbolo aire acondicionado
- C7.** Símbolo WiFi
- C8.** Indicador App
- C9.** Temporizador/calendario App
- C10.** Indicador de flujo de aire
- C11.** Indicador auto
- C12.** Símbolo ECO REAL FEEL (la función está disponible solo desde control remoto y app)
- C13.** Indicador ECO REAL FEEL
- C14.** Símbolo calefacción
- C15.** Símbolo ventilador
- C16.** Símbolo de deshumidificación
- C17.** Símbolo alarma
- C18.** Valores de ajuste de temperatura

OPERACIÓN DESDE EL PANEL DE CONTROL

ENCENDER Y APAGAR EL APARATO



Antes de conectar el aparato, compruebe que las tapas de la parte trasera de la unidad estén correctamente insertadas en las mangueras de drenaje A11 y A13.

Inserte el enchufe en la toma. Aparecen dos guiones en la pantalla indicando que el aparato está en modo de espera. Pulse la tecla (C1) para encender el aparato. Cuando el aparato se enciende, se activa la última función establecida antes del apagado.

NOTA: Después de unos segundos de inactividad, el brillo del panel de control se reducirá automáticamente y en los próximos minutos se

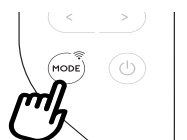
reducirá aún más. Para apagar el aparato, toque la tecla . **Nota:** Nunca apague el aire acondicionado simplemente tirando del enchufe. Pulse la tecla para poner el aire acondicionado en modo de espera y espere unos minutos antes de retirar el enchufe. De esta forma, el aparato puede realizar comprobaciones de estado operativo.

SELECCIÓN DE MODOS



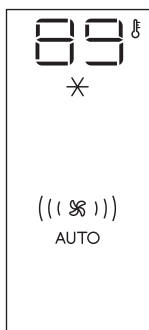
Para seleccionar el modo de operación deseado, pulse repetidamente la tecla **MODE** hasta que la función deseada sea seleccionada.

FUNCIÓN WIFI



Para seleccionar o deseleccionar la función Wifi, mantenga pulsada la tecla **MODE** por 3 segundos.

✱ MODO DE AIRE ACONDICIONADO



Esto es ideal para un clima caliente y húmedo, cuando la habitación necesita ser enfriada y deshumidificada.

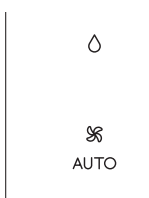
Para establecer correctamente este modo:

- Pulse repetidamente la tecla **MODE** hasta que aparezca el símbolo de aire acondicionado. La pantalla mostrará el símbolo ✱.
- Para cambiar la temperatura deseada, toque la tecla < o >.

Nota: Las temperaturas más adecuadas durante el verano oscilan entre 75 y 81°F. Sin embargo, establecer la temperatura

significativamente menor que la temperatura exterior no es recomendable. En el modo aire acondicionado, el flujo de aire puede seleccionarse solo desde el control remoto.

💧 MODO DE DESHUMIDIFICACIÓN



Esto es ideal para reducir la humedad en la habitación (primavera y otoño, habitaciones muy húmedas, época de lluvias, etc). Para este tipo de uso, el aparato debe estar configurado de la misma manera que en el modo de aire acondicionado.

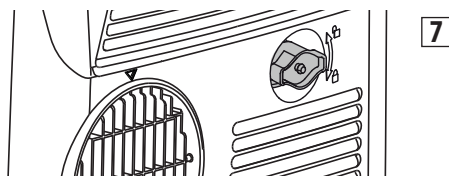
Es decir, la manguera de escape de

aire **B4** debe estar instalada en el aparato para permitir que la humedad sea descargada en el exterior. Para establecer correctamente este modo:

- Pulse repetidamente la tecla **MODE** hasta que aparezca el símbolo deshumidificación.
- El aparato automáticamente escoge el mejor flujo de aire.

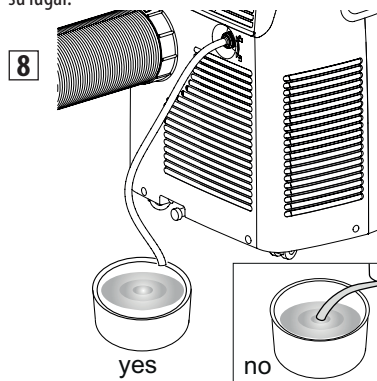
Nota:

En caso de alta humedad ambiental, es posible drenar la condensación de manera continua aplicando el tubo suministrado **B13** al tubo de drenaje superior **A13** (fig. 7) permitiendo así que el agua fluya hacia un recipiente.



Desenrosque la tapa siguiendo la dirección de la flecha y colocando el tubo. Preste atención a que el agua no se desborde en el suelo (fig. 8). Si el conector no está en uso, para evitar que

se desborde en el suelo, recuerde enroscar la tapa de nuevo en su lugar.



MODO VENTILADOR



(((☼)))

Quando se utiliza este modo, la manguera de escape de aire **B4** no necesita estar conectada al aparato. Para establecer correctamente este modo:

- Pulse repetidamente la tecla **MODE** hasta que aparezca el símbolo del ventilador.
- Seleccione el flujo de aire deseado tocando los botones de aumento **> C3** o **< C4** disminución.

Los flujos de aire disponibles son:

(☼)

Flujo de aire mínimo: cuando el silencio es máximo operación de silencio máximo.

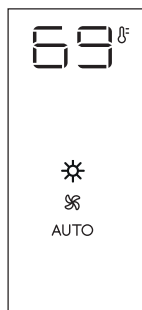
((☼))

Flujo de aire medio: cuando el nivel de ruido debe ser bajo pero con un buen nivel de confort.

(((☼)))

Flujo de aire máximo: para máximo rendimiento.

MODO CALEFACCIÓN (solo en algunos modelos)



Este es ideal en primavera y otoño cuando las temperaturas afuera no son particularmente severas. Para este modo, el aparato debe ser preparado de la misma manera que para el aire acondicionado, con la manguera de escape de aire **B4** conectada.

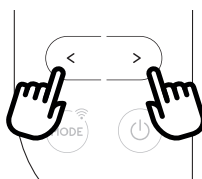
Para establecer este modo:

- Toque repetidamente el botón **MODE** hasta que el símbolo de calefacción ☼ es mostrado.
- Toque los botones aumentar **> C3** o disminuir **< C4** para ajustar la temperatura deseada.

Notas:

- De este modo, el flujo de aire se selecciona automáticamente en el aparato y no puede ser configurado manualmente.
- Cuando está trabajando en habitaciones muy frías, el aparato descongela automáticamente, momentáneamente interrumpiendo la operación normal. En este caso, "Lt" aparece en la pantalla. Durante esta operación, es normal por el ruido hecho por el aparato a cambiar.
- En este modo, puede que tenga que esperar unos pocos minutos antes de que el aparato empiece a proporcionar aire caliente.
- En este modo, el ventilador puede funcionar por períodos cortos, aunque la temperatura establecida ya haya sido alcanzada.
- Si la pantalla se enciende y muestra la alarma "HL" vacíe la bandeja interna siguiendo las instrucciones de la sección "Operaciones de fin de temporada". Luego, toque de nuevo el botón para restablecer la función de calefacción.

SELECCIONE LA ESCALA DE TEMPERATURA



La temperatura puede mostrarse en °C o °F.

Para cambiar la unidad de la temperatura, toque las teclas de aumento/disminución **>** y **<** durante unos 10 segundos.

OPERACIÓN DESDE EL CONTROL REMOTO

INSERTAR O SUSTITUIR LAS BATERÍAS

- Retire la tapa de la parte posterior del control remoto;
- Introduzca o reemplace las baterías con dos nuevas LR03 "AAA" de 1,5V, insértelas correctamente (consulte las indicaciones en el interior del compartimento de la batería);
- Vuelva a colocar la cubierta.

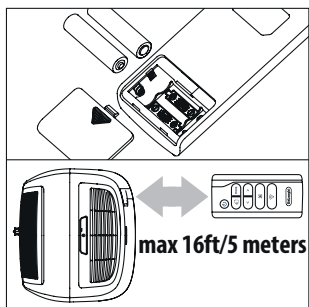
Por favor observe: Si la unidad de control remoto se sustituye o se descarta, las baterías deben retirarse y eliminarse de acuerdo con la legislación actual ya que son perjudiciales para el medio ambiente. No mezcle baterías viejas y nuevas. No mezcle baterías alcalinas, de carbono-zinc (estándar) o recargables (níquel-cadmio). No arroje las baterías al fuego. Las baterías pueden explotar o tener filtraciones. Si no va a utilizar el control remoto durante un cierto período de tiempo, quite las baterías.

USO DEL CONTROL REMOTO

- Apunte el control remoto hacia el receptor **A5** en el aire acondicionado. El control remoto debe estar a no más de 16 pies/5 metros de distancia del aparato (sin obstáculos entre el control remoto y el receptor).

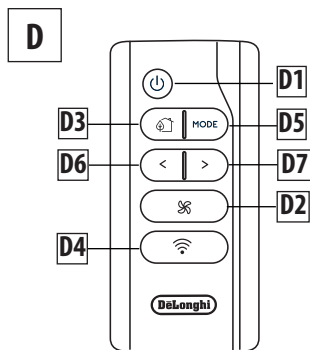
- El control remoto debe manipularse con cuidado. No lo deje caer ni lo exponga a la luz directa del sol ni a fuentes de calor.

Por favor observe: El control remoto puede ser almacenado de manera segura en el compartimiento correspondiente **A6**.



DESCRIPCIÓN DEL CONTROL REMOTO

- D1)** Botón ON/STAND-BY
- D2)** Botón de selección de flujo de aire
- D3)** Botón ECO REAL Feel
- D4)** Botón WiFi
- D5)** Botón MODE
- D6-D7)** Botón de Disminución/ Aumento



ENCENDIDO DEL APARATO ON/OFF

- Enchufe en la toma.
- Pulse el botón **D1** para encender el aparato (cuando se enciende, el aire acondicionado comienza a funcionar en el mismo modo que cuando fue desactivado).
- Para apagar el aparato, pulse el botón **D1**.

Nota: Nunca apague el aparato quitando el enchufe.

Siempre apague pulsando sobre el botón **D1** y espere unos minutos antes de retirar el enchufe. Solo de esta manera el aparato podrá realizar sus controles estándar.

SELECCIÓN DE LOS MODOS DE FUNCIONAMIENTO

Muchos de los mandos disponibles en el control remoto corresponden con los del panel de control **C** (Consulte el diagrama en la página 8).

SELECCIÓN DE LAS TEMPERATURAS

En los modos de aire acondicionado y calefacción, pulse las teclas de aumento/disminución para seleccionar la temperatura deseada.

SELECCIONANDO EL FLUJO DE AIRE

En los modos aire acondicionado y ventilador, pulse el botón de selección de flujo de aire **D2** del control remoto para seleccionar el flujo de aire deseado.

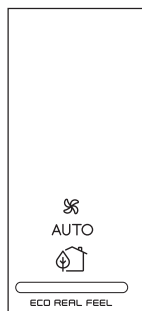
Los flujos de aire disponibles son:

- () **Flujo de aire mínimo:** cuando el silencio es máximo
operación de silencio máximo.
- (()) **Medio flujo de aire:** cuando el nivel de ruido debe ser bajo pero con un buen nivel de confort.
- ((())) **Flujo de aire máximo:** para máximo rendimiento.

El aparato automáticamente escoge el flujo de aire basado en la temperatura seleccionada y las condiciones ambientales (Esto está disponible solo en modo aire acondicionado).

FUNCIÓN ECO REAL FEEL

(disponible solo desde control remoto)

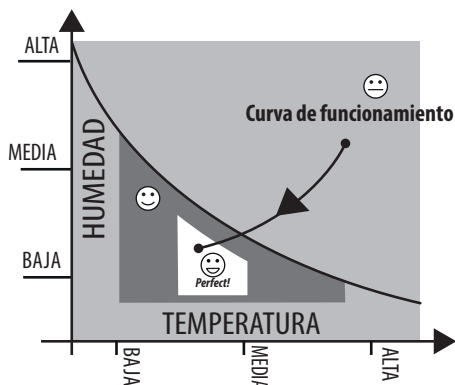


ECO REAL FEEL es la innovadora tecnología De'Longhi que funciona simultáneamente con reducción de la temperatura y control de la humedad, asegurando el mejor nivel de comodidad.

Con los sistemas tradicionales, durante el tiempo de trabajo, se pueden alcanzar condiciones de confort óptimas pero no aseguradas a lo largo del tiempo. Con ECO REAL FEEL, una vez que se alcanza un confort óptimo, el aire acondicionado portátil modula automáticamente el compresor y el flujo de aire, para mantenerlo en el tiempo. Para activar la función, pulse el botón Eco Real Feel **D3** en el control remoto. El símbolo ECO REAL FEEL **C12** aparece.

Después de 1 minuto aproximadamente, el indicador ECO REAL FEEL **C13** se enciende. Cambia de color cuando se aproxima el mejor nivel de comodidad (véase el diagrama siguiente).

Por favor observe: Para este tipo de uso, el aparato debe estar configurado de la misma manera que en el modo de aire acondicionado con la manguera de escape de aire conectada.



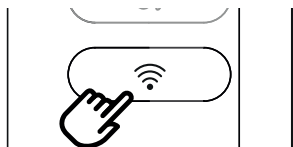
LUZ NARANJA: Condiciones en la habitación lejos del nivel óptimo.

LUZ VERDE: La mayoría de las personas sienten buenas condiciones de habitación, cerca del nivel óptimo.

LUZ AZUL: Mejor nivel de comodidad.
Perfect!

El sentimiento de bienestar es una condición subjetiva: por esta razón, diferentes personas pueden juzgar de manera diferente las mismas condiciones ambientales. En condiciones ambientales particularmente severas (alta temperatura o humedad en el exterior, mal aislamiento, demasiada gente, alto calor en la habitación, fuerte exposición al sol, etc...) este aparato puede no ser capaz de alcanzar el mejor nivel de comodidad.

FUNCIÓN WIFI



Para activar o desactivar la función WiFi mantenga pulsado el botón WiFi por algunos segundos en el control remoto hasta la emisión de un bip doble.

Una vez que se muestra el icono WiFi significa que las funciones WiFi están disponibles.



SÍMBOLO WIFI FIJO

significa que las funciones WiFi están activas y el "Home WLAN" ha sido encontrado.



PARPADEO LENTO

significa que el aparato está buscando la "Home WLAN".



PARPADEO RÁPIDO

significa que la "Home WLAN" no se ha encontrado o no ha sido configurada aun.



ICONO "CONTROL APP"

Cuando aparece el icono CONTROL APP significa que el último mando ha sido recibido a través de la app.

Si es necesario cambiar los ajustes memorizados de "Home WLAN" proceda de la siguiente manera:

- mantenga pulsado el botón **MODE** por aproximadamente **C2** 20 segundos en el panel de control hasta que se emite un bip largo;
- use la app para introducir los nuevos ajustes de WLAN en la unidad.

AJUSTE DEL TEMPORIZADOR

La programación del temporizador es una función exclusiva de la aplicación: gracias a las numerosas posibilidades de la programación del temporizador, se puede evitar el desperdicio de electricidad optimizando el período de funcionamiento, estableciendo un retraso en la puesta en marcha o en la parada del aparato.

INFORMACIÓN DE CUMPLIMIENTO DE FCC Y CANADA EMC

Este dispositivo cumple con la Parte 15 de las normas FCC. El funcionamiento está sujeto a las dos condiciones siguientes:

- Este dispositivo no puede causar interferencias perjudiciales, y
- Este dispositivo debe aceptar cualquier interferencia recibida, incluidas las interferencias que puedan provocar un funcionamiento no deseado.

NOTA: Este equipo ha sido probado y cumple con los límites para un dispositivo digital de Clase B, conforme a la parte 15 de las normas FCC. Estos límites están diseñados para proporcionar una protección razonable contra interferencias perjudiciales en una instalación residencial. Este equipo genera, utiliza y puede irradiar energía de radiofrecuencia y, si no se instala y utiliza de acuerdo con las instrucciones, puede provocar interferencias dañinas a las comunicaciones de radio. Sin embargo, no hay garantía de que no ocu-

rrirá interferencia en una instalación en particular. Si este equipo causa interferencias perjudiciales para la recepción de radio o televisión, lo cual puede determinarse apagando y encendiendo el equipo, se recomienda al usuario que intente corregir la interferencia mediante una o más de las siguientes medidas:

- Reorientar o cambiar de lugar la antena receptora.
- Aumentar la separación entre el equipo y el receptor.
- Conectar el equipo a una toma de un circuito diferente al que está conectado el receptor.
- Consultar al distribuidor o a un técnico experimentado en radio/TV para obtener ayuda.

Certificación aprobada en virtud de la disposición de la FCC Parte 15 como un dispositivo digital de Clase B.

Precaución: Los cambios o modificaciones no aprobados expresamente por el fabricante podrían anular la autoridad del usuario para operar este equipo.

Precaución: Para cumplir con los límites de los dispositivos digitales Clase B, de conformidad con la Parte 15 de las reglas de la FCC, este dispositivo debe cumplir con los límites de Clase B. Todos los periféricos deben estar blindados y conectados a tierra. La operación con periféricos no certificados o cables no apantallados puede causar interferencias en la radio o en la recepción.

Este aparato digital Clase B cumple con la norma canadiense ICES-003.

CAN ICES-3 (B)/NMB-3(B)

INFORMACIÓN DE CUMPLIMIENTO DE TRANSMISOR INALÁMBRICO

El término "IC:" antes del número de certificación de la radio sólo significa que se ha cumplido con las especificaciones técnicas de la industria de Canadá.

Este dispositivo cumple con RSS exentos de licencia de la industria canadiense. El funcionamiento está sujeto a las dos condiciones siguientes:

- (1) Este dispositivo no puede causar interferencias; y
- (2) Este dispositivo debe aceptar cualquier interferencia recibida, incluidas las interferencias que puedan provocar un funcionamiento no deseado del dispositivo.

Este equipo cumple con los límites de exposición a radiación de FCC e IC establecidos para un entorno no controlado.

Este equipo se debe instalar y utilizar con una distancia mínima de 20 cm entre el aparato y su cuerpo.

Este transmisor no debe colocarse ni utilizarse junto con ninguna otra antena o transmisor.

DECLARACIÓN DE EXPOSICIÓN A RADIACIÓN DE IC/FCC

Este equipo cumple con los límites de exposición a la radiación FCC/IC RSS-102 establecidos para un entorno no controlado.

Este equipo se debe instalar y utilizar con una distancia mínima de 20 cm entre el aparato y su cuerpo.

Etiquetado del dispositivo host

Este dispositivo incluye el módulo siguiente.

Contiene la ID de FCC:

2ANDL3-TYWE1S

Etiquetado del dispositivo host





Este dispositivo incluye el módulo siguiente.

Contiene IC:

23243-TYWE1S

AUTODIAGNÓSTICO

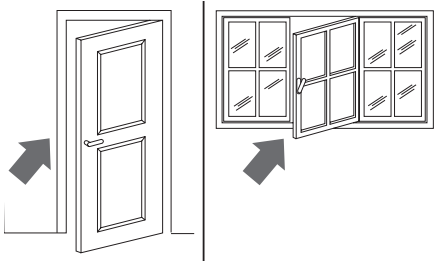
El aparato tiene un sistema de autodiagnóstico para identificar una serie de advertencias / malos funcionamientos. Los mensajes de error se muestran en la pantalla del aparato.

SI ... APARECE,	SI ... APARECE,	SI ... APARECE,	SI ... APARECE,
			
<p>"Baja Temperatura" (prevención de heladas)</p>	<p>"Temperatura Alta" (Protección contra el sobrecalentamiento)</p>	<p>"Error de sonda" (Sonda dañada)</p>	<p>"Alto nivel" (Bandeja interna llena)</p>
<p>¿QUÉ DEBERÍA HACER? El aparato está equipado con un dispositivo de protección contra congelación para evitar la formación excesiva de hielo. El aparato se enciende automáticamente cuando se completa el proceso de descongelación.</p>	<p>¿QUÉ DEBERÍA HACER? El aparato está provisto de un dispositivo de sobrecalentamiento que, en caso de condiciones de funcionamiento con temperatura ambiente excesiva durante un período prolongado, hará que el aparato solo ventile. El aparato se restablecerá automáticamente tan pronto como la temperatura se acerque a las condiciones límite de funcionamiento.</p>	<p>¿QUÉ DEBERÍA HACER? Si esto aparece, contacte nuestro número gratuito de atención al cliente.</p>	<p>¿QUÉ DEBERÍA HACER? Vacíe la bandeja interior de seguridad siguiendo las instrucciones en el apartado "Funcionamiento de fin de temporada".</p>

CONSEJOS PARA EL USO CORRECTO

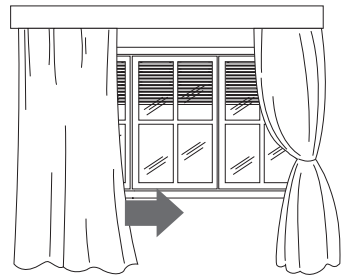
Para garantizar resultados óptimos con el aire acondicionado, siga estas recomendaciones:

- Cierre las puertas y ventanas en la habitación a acondicionar. Cuando se instala el aire acondicionado de modo semi-permanente, debe dejar una puerta ligeramente abierta (tan poco como 1/2" pulgadas. (1 cm)) para garantizar una ventilación adecuada.



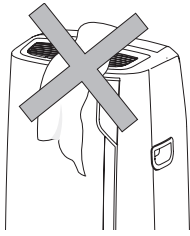
Cierre las puertas y ventanas

- Nunca use el aparato en habitaciones demasiado húmedas (lavanderías por ejemplo).
- Proteja la sala de exposición directa al sol mediante el cierre parcial de las cortinas y/o persianas para que el aparato funcione de manera mucho más económica.



Cierre persianas o cortinas


- No utilice nunca el aparato al aire libre.
- Asegúrese de que no haya fuentes de calor en la habitación.
- Asegúrese de que el aire acondicionado esté sobre una superficie nivelada.



No cubra el aparato

- Nunca deje objetos de ningún tipo sobre el aire acondicionado.
- Nunca obstruya la entrada de aire o rejillas de salida.

LIMPIEZA

Antes de proceder a la limpieza o mantenimiento, apague el aparato usando el botón  y a continuación desenchúfelo de la corriente.

LIMPIEZA DE LA CARCASA

Usted debe limpiar el aparato con un paño ligeramente húmedo y luego secar con un paño seco. Por razones de seguridad, NUNCA lave el aire acondicionado con agua.

Precauciones

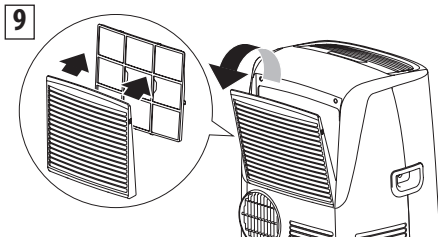
Nunca use gasolina, alcohol o solventes para limpiar el aparato. Nunca rocíe insecticidas líquidos o similares.

LIMPIANDO EL FILTRO DE AIRE

Si el filtro está sucio, la circulación de aire podría verse afectada y podría disminuir la eficacia del aparato.

Es por lo tanto una buena práctica limpiar el filtro con intervalos regulares. La frecuencia depende de la duración y condiciones de operación. Si la unidad es usada constantemente o sistemáticamente, recomendamos limpiar el filtro una vez a la semana. El filtro está en la rejilla de entrada.

Retire la rejilla para acceder al filtro. Para limpiar el filtro, necesita ser extraído como se muestra en fig. 9.



Use una aspiradora para quitar el polvo depositado en el filtro. Si

está muy sucio, sumérjalo en agua tibia y enjuague varias veces. La temperatura del agua debe ser mantenida por debajo de 104° F (40°C).

Después de lavar el filtro, déjelo secar completamente antes de volver a colocarlo.

CONTROLES AL INICIO DE LA TEMPORADA

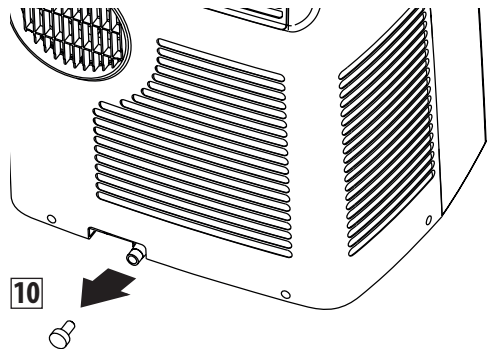
Asegúrese de que el cable de alimentación y el zócalo estén en perfectas condiciones y asegúrese de que el sistema de puesta a tierra sea suficiente. Cumpla estrictamente con las normas de instalación.

OPERACIONES DE FIN DE TEMPORADA

Para drenar toda el agua del circuito, quite el tapón **A11** del drenaje en la parte posterior del aparato y permita que el agua drene en un recipiente (fig. 10).

Para facilitar esta operación al inicio de la temporada, es posible colocar la manguera de drenaje de agua con tapón **B8**.

Para almacenar el aparato al final de temporada, recomendamos cubrirlo con el protector contra el polvo de fin de temporada **B10** y coloque los accesorios en la correspondiente bolsa de accesorios de fin de temporada **B11**.



Cuando el aparato esté vacío, sustituya el tapón.

Limpie el filtro y seque completamente antes de volver a ponerlo. La unidad debe almacenarse en un área grande y bien ventilada.

ESPECIFICACIONES TÉCNICAS

Voltaje de alimentación	consulte la etiqueta de valor nominal
Máx. potencia absorbida durante el funcionamiento del aire acondicionado	"
Refrigerante	"
Capacidad de refrigeración	"

CONDICIONES LÍMITE

Temperatura de la habitación para aire acondicionado	64 - 95°F (18° - 35°C)
Temperatura de la habitación para calefacción (solo en algunos modelos)	50 - 77°F (10 - 25°C)
Humedad máxima relativa:	80% RH

El transporte, llenado, limpieza, recuperación y eliminación de refrigerante deben ser realizados por un centro de servicio técnico designado solamente por el fabricante.

El aparato solo debe ser eliminado por personal especializado autorizado por su municipio.

PARA EVITAR DAÑOS A LA UNIDAD:

NUNCA TRANSPORTE O GIRE EL APARATO BOCA ABAJO O SOBRE SU COSTADO. SI ESTO SUCEDE, ESPERE 6 HORAS ANTES DE ENCENDER EL APARATO, SE RECOMIENDA 24 HORAS. Después de que la unidad ha estado sobre un costado, el aceite debe regresar al compresor para asegurar su correcto funcionamiento. Sin permitir a la unidad este tiempo (6-24 horas) la unidad puede funcionar solo por un corto período de tiempo, y luego el compresor se descompone por falta de aceite.

CONEXIÓN ELÉCTRICA

Este aparato está equipado con un enchufe de 3 clavijas conectado a tierra. El enchufe debe estar conectado a una toma de corriente que esté correctamente instalada y conectada a tierra en conformidad con todos los códigos y ordenanzas locales. No modifique el enchufe suministrado con el aparato. Si no entra en la toma, tenga una salida adecuada instalada por un electricista cualificado o reubique la unidad en una toma correcta. Si el suministro eléctrico del hogar no cumple con las especificaciones anteriores, o si no está seguro de que su casa tiene un efectivo sistema de conexión eléctrica a tierra, hágalo verificar por un electricista cualificado o a su compañía eléctrica local y corrija cualquier problema.

ENCHUFE DE SEGURIDAD

El aparato está equipado con un enchufe de seguridad para proteger el cable de alimentación. Si se corta la corriente, desenchufe el cable de corriente y asegúrese de que el cable de alimentación no esté dañado. Si el cable está dañado, llame al centro de servicio inmediatamente. Si el suministro se corta con frecuencia y el cable de alimentación está dañado, póngase en contacto con un electricista cualificado.

FUNCIONAMIENTO DEL ENCHUFE DE SEGURIDAD

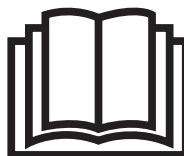
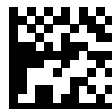
Si el dispositivo de seguridad incorporado en el enchufe se dispara y corta el suministro de energía, compruebe que el cable de alimentación y el enchufe no estén dañados. Si el cable de alimentación está dañado, para restaurar el funcionamiento pulse el botón "RESET". Para verificar el correcto funcionamiento del enchufe, pulse el botón "TEST" periódicamente y asegúrese de que el aparato se desconecta. Si este no es el caso, póngase en contacto con el centro de servicio. Para restaurar el funcionamiento, pulse el botón "RESET".

SOLUCIÓN DE PROBLEMAS

Por favor controle los siguientes puntos antes de llamar a nuestro número gratuito de atención al cliente.

PROBLEMAS	CAUSAS	SOLUCIONES
El aire acondicionado no se enciende	No está enchufado	Enchúfelo
	No hay alimentación	espere al menos 3 minutos e intente de nuevo
	el dispositivo de protección interna se ha disparado	llame al centro de ayuda
El aire acondicionado funciona por un corto período de tiempo	La manguera de escape de aire está obstruida o doblada	Posicione correctamente la manguera de escape de aire, limitando la longitud y curvas tanto como sea posible y evite cualquier obstrucción
	Una obstrucción impide el escape de aire exterior	Identifique y elimine los obstáculos que impiden el escape de aire exterior
El aire acondicionado funciona pero no enfría la habitación	Ventanas, puertas, cortinas abiertas	Cierre las ventanas, puertas y cortinas, teniendo en cuenta las "recomendaciones para el uso correcto"
	hay alguna fuente de calor en la habitación (por ejemplo, un horno, etc.)	Elimine la fuente de calor
	La manguera de escape de aire está desconectada del aparato	Conecte la manguera de escape de aire al receptáculo en la parte posterior del aparato (fig.1b)
	filtros de polvo obstruidos	Limpie o reemplace los filtros como se ha descrito anteriormente
Durante el funcionamiento, existe un desagradable olor en la habitación	filtros de polvo obstruidos	Limpie o reemplace los filtros como se ha descrito anteriormente
El aire acondicionado no funciona durante unos 3 minutos desde el reinicio	Para proteger el compresor hay un dispositivo interno que retrasa el inicio por unos 3 minutos desde el reinicio	espere el tiempo recomendado e intente de nuevo
El tanque interno está lleno	alta humedad ambiental	coloque el tubo de drenaje de agua suministrado (B13) a la manguera de drenaje superior (A13), permitiendo así que el agua fluya hacia un recipiente. Preste atención a que el agua no se desborde en el suelo.
Uno de los siguientes mensajes es mostrado: <i>Lt/Ht/PF/HL</i>	El aparato dispone de un sistema de autodiagnóstico que identifica algunos errores de funcionamiento	Consulte el capítulo de AUTODIAGNÓSTICO

Gas charge / Charge de gaz / Carga de gas



www.delonghi.com