

PORTABLE AIR CONDITIONER

Instructions for use. Keep these instructions

Visit www.delonghi.com for a list of service

centers near you.

ELECTRIC CHARACTERISTICS

115V~ 60 Hz

CONDITIONNEUR D'AIR PORTATIF

Mode d'emploi . Conservez cette notice

Visitez www.delonghi.com pour y voir une liste

des centres de réparation proches de chez vous.

CARACTÉRISTIQUES ÉLECTRIQUES

115V~ 60 Hz

SISTEMA DE AIRE ACONDICIONADO PORTÁTIL

Repase y guarde estas instrucciones.

Lea cuidadosamente este instructivo

antes de usar su aparato.

Visite www.delonghi.com para ver la lista

de centros de servicios cercanos a usted.

CARACTERISTICAS ELECTRICAS:

115V~ 60 Hz



EN

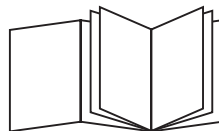
pag. 4

FR

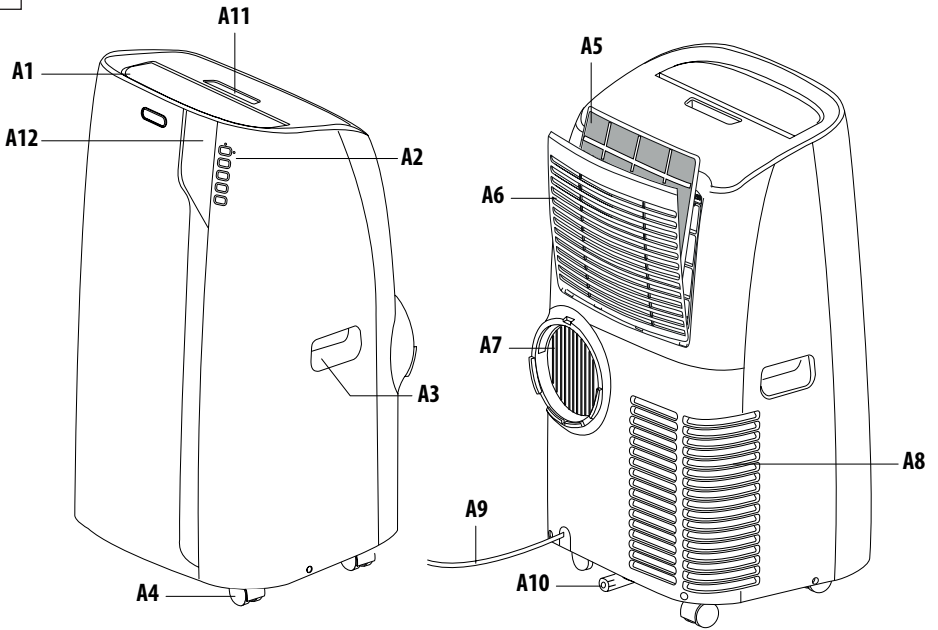
page 13

ES

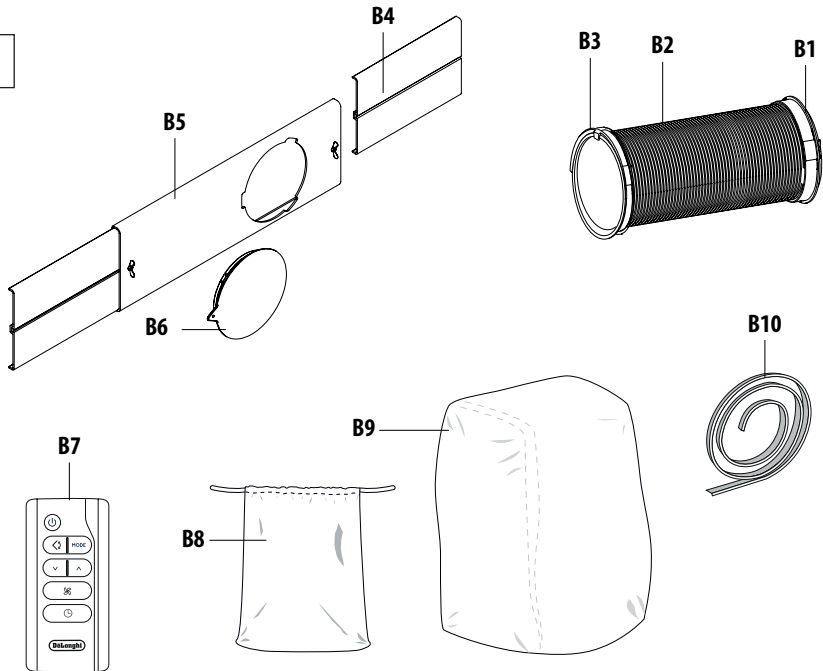
pág. 23



A



B



Important safeguard

- Use this appliance only as described in this instruction manual.

As with any electrical appliance, the instructions aim to cover as many situations as possible. Caution and common sense should be used when operating and installing this air conditioner.

- This appliance has been manufactured to cool and dehumidify domestic environments and must not be used for other purposes.
- It is dangerous to alter or modify the unit's characteristics in any way.
- The appliance must be installed in accordance with the relevant national legislation.
- Should repairs be necessary, contact the nearest authorized Repair Service Center. Unauthorized servicing can be dangerous.
- The appliance is not intended for use by persons (including children) with reduced physical, sensory or mental capabilities, or lack of experience and knowledge, unless they have been given supervision or instruction concerning use of the appliance by a person responsible for their safety. Children should be supervised to ensure that they do not play with the appliance.
- If the power cable is damaged, it must be replaced by the manufacturer or an authorized technical service centre in order to avoid all risk.
- Always ensure the appliance is plugged into a grounded 3-prong outlet. If you have any doubts check with a qualified electrician.
- Do not use extension cables.
- Before cleaning or maintenance operations, always unplug the unit from the outlet.
- Do not pull on or place strain on the power cord when moving the appliance.
- The appliance should not be installed where the atmosphere may contain combustible gases, oil or sulphur, or near heat sources.
- Do not rest hot or heavy objects on the appliance.

- Clean the filters at least once a week.
- Avoid using heaters near the unit.
- The unit should be transported in a vertical position. If this is not possible secure the unit at an angle, do not lie it horizontally.
- Before transporting the unit, drain the unit. After transportation, wait at least 6 hours before switching the unit on.
- The packaging materials can be recycled. You are therefore recommended to place them in the special containers for differentiated waste collection.
- This appliance is fitted with a special safety device. When the compressor switches off, this device prevents it from switching on again for at least 3 minutes.
- **WARNING:** Changes or modifications not expressly approved by the party responsible for compliance could void the user's authority to operate the equipment.

Specific warnings for appliances with R410A refrigerant gas

R410A is a refrigerant that complies with European ecological standards; nevertheless, it is recommended not to pierce the cooling circuit of the machine. At the end of its useful life, deliver the appliance to a special waste collection centre for disposal. This hermetically sealed system contains fluorinated greenhouse gases.

ENVIRONMENTAL INFORMATION:

This unit contains fluorinated greenhouse gases covered by the Kyoto Protocol.

Maintenance and disposal must be carried out by qualified personnel only (R410A, GWP=2088).

Save these instructions

This product is for household use only

INTRODUCTION

Thank you for choosing a De'Longhi product. Please take a few moments to read the instructions to avoid risks or damage to the appliance.

DESCRIPTION

Description of the appliance (see page 3 - A)

- A1 air outlet flap
- A2 control panel
- A3 handles
- A4 castors
- A5 air filter
- A6 air intake grille
- A7 air exhaust hose housing
- A8 air intake grille
- A9 power cable
- A10 drainage hose with cap
- A11 remote control compartment
- A12 remote control signal receiver

Description of the accessories (see page 3 - B)

- B1 adapter for window bracket
- B2 air exhaust hose
- B3 hose adaptor
- B4 additional window bracket
- B5 window bracket with wing nut
- B6 window bracket cap
- B7 remote control
- B8 end of season accessories bag (*not on all models)
- B9 end of season dust cover (*not on all models)
- B10 stripping foam

ELECTRICAL CONNECTION

Before plugging the appliance into the outlet, check that:

- The outlet's power supply corresponds to the value indicated on the rating label on the back of the appliance.
- The outlet and electrical circuit are adequate for the appliance.
- The outlet is a 3-hole grounded outlet (⚡). If this is not the case, you must choose another outlet. Failure to follow these important safety instructions absolves the manufacturer of all liability.

If it becomes necessary, the power cable must be replaced by a qualified professional only.

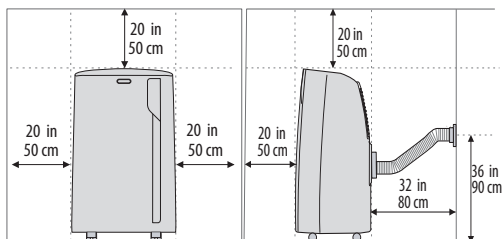
USE

The instructions below will enable you to prepare your air conditioner for operation as efficiently as possible. Before use, make sure the air intake and air outlet flap are unobstructed.

Please note: This appliance is provided with an auto-evaporation feature for condensate removal during cooling and dehumidifying modes.

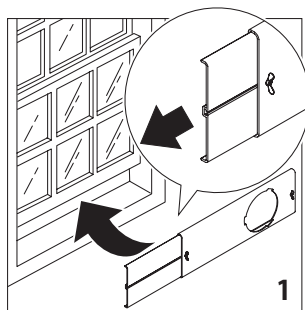
AIR CONDITIONING INSTALLATION

For optimal results see the figures below for the suggested minimum distances.

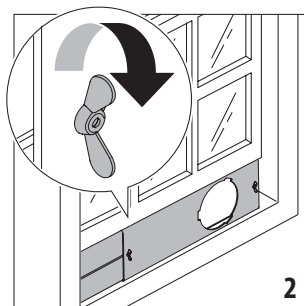


DOUBLE-HUNG WINDOW

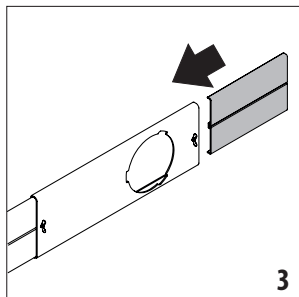
- Place the window bracket (B5) in the window sill, extend the bracket fully within the window frame (fig. 1).



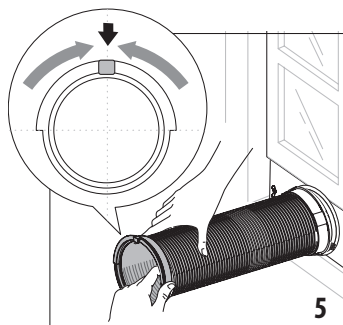
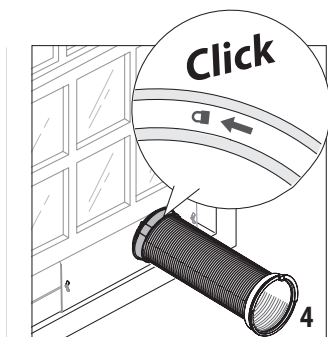
- Fix the bracket into place by tightening the wing nut (fig. 2). Attach the provided stripping foam (B10) to the top of the window bracket and then lower the window onto the bracket. (Should the window bracket be too large for the window the plastic can be cut with a saw by a qualified professional.



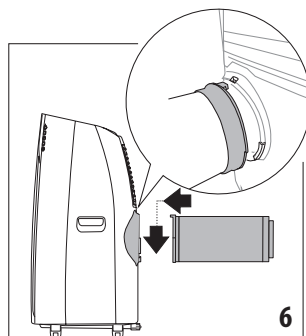
- If the windows are large, use additional window bracket (B4) to cover your window opening, extending it to the required length, then securing it with the locking wing nut supplied (fig. 3).



- Insert and lock the accessory for window bracket (B1) already attached to the air exhaust hose, into the slot of the window bracket (fig. 4).
- At the other end, be sure hose adapter's tab is straight up (like the 12 position on a clock) as shown in fig. 5.



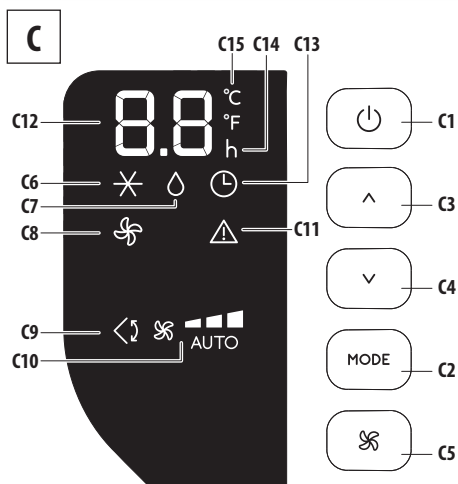
- Attach assembled hose to the back of the air conditioner (fig. 6).



SLIDING WINDOWS

- Thanks to the locking wing nut, it's possible to use the window bracket also for sliding windows. Position the hole of the window bracket in the lower corner to allow for correct installation of the exhaust hose.

OPERATING FROM THE CONTROL PANEL



DESCRIPTION OF THE CONTROL PANEL (C)

- C1.** ON/STAND-BY (on/off) key
- C2.** Mode selection key (air conditioning dehumidifying, fan)
- C3.** Increase key
- C4.** Decrease key
- C5.** Air flow selection key (MIN/MED/MAX/AUTO)
- C6.** Air conditioning symbol
- C7.** Dehumidifying symbol
- C8.** Fan symbol
- C9.** Swing symbol
- C10.** Air flow indicator
- C11.** Alarm symbol
- C12.** Set temperature display, programmed on/off time

C13. Timer symbol

C14. Timer hour indicator


C15. Selected temperature scale indicator

CONTROL PANEL OPERATION


TURNING THE APPLIANCE ON AND OFF


Insert the plug in the socket. Two dashes appear on the display indicating that the appliance is in stand-by.



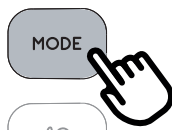
Touch the  (C1) key to turn on the appliance. The flap (A1) will open after few seconds. When the appliance comes on, it will start with the last function set before it was shut off.

Please note: If start-up is not continued, after a few minutes the display light dims in order to reduce energy consumption.

To turn the appliance off, touch the  key and remove the plug from the outlet.

Please note: Never turn off the air conditioner by simply pulling the plug. Touch the  key in order to put your air conditioner in stand-by and wait a few minutes before pulling the plug. In this manner, the appliance can perform the operating status checks.

MODES SELECTION





To select desired operating mode, touch repeatedly the MODE key (C2) until the desired function is selected.


✧ AIR CONDITIONING MODE











This is ideal for hot and humid weather when the room needs to be cooled. This function also helps to dehumidify the air.

To correctly set this mode:

- Touch repeatedly the **MODE** key (C2) until the air conditioning ✧ symbol appears. The display will show the desired temperature.
- To change the desired temperature, touch the  (C3) or  (C4) key.

- Select the desired air flow by touching the  (C5) key.

The speeds available are:

-   **Minimum air flow:** when maximum quiet operation is desired.
-   **Medium air flow:** when the noise level needs to be low but with a good comfort level.
-   **Maximum air flow:** for maximum performance.
-   **Auto:** the appliance automatically chooses the best air flow based on the temperature selected and the environmental conditions.

◊ DEHUMIDIFYING MODE

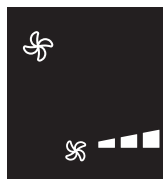


This is ideal for reducing humidity in the room (spring and autumn, damp rooms, rainy periods, etc). For this type of use, the appliance must be set up same as in the air conditioner mode. That is, the air exhaust hose (B2) must be fitted to the appliance to allow the humidity to be discharged outside.

To correctly set this mode:


- Touch repeatedly the **MODE** key (C2) until the dehumidifying ◊ symbol appears.
- The appliance will automatically choose the best air flow.

✧ FAN MODE









When using this mode, the air exhaust hose (B2) does not need to be attached to the appliance.

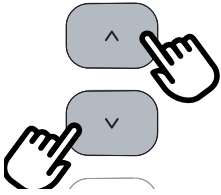
To correctly set this mode:

- Touch repeatedly the **MODE** (C2) key until the fan ✧ symbol appears.
- Select the desired air flow by touching  button (C5).

The air flows available are:

-   **Minimum air flow:** when quiet operation is desired.
-   **Medium air flow:** when the noise level needs to be low but with a good comfort level.
-   **Maximum air flow:** for maximum performance.

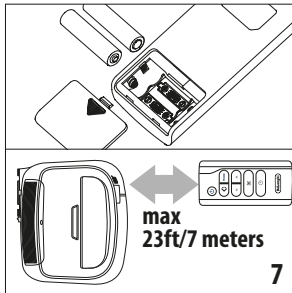
SELECT THE TEMPERATURE SCALE



The temperature can be displayed in °C or °F. To change the temperature unit of measure touch both the increase ^ (C3) or decrease v (C4) keys for about 10 seconds.

OPERATING FROM THE REMOTE CONTROL INSERTING OR REPLACING THE BATTERIES

- Remove the cover on the rear of the remote control;
- Insert or replace the batteries with two new LR03 "AAA" 1.5V batteries, inserting them correctly (see the directions inside the battery compartment) (fig. 7);
- Replace the cover.



Please note: If the remote control unit is replaced or discarded, the batteries must be removed and disposed of in accordance with current legislation as they are harmful to the environment. Do not mix old and new batteries.

Do not mix alkaline, standard (carbon-zinc) or rechargeable (nickel-cadmium) batteries. Do not dispose of batteries in fire. Batteries may explode or leak. If the remote control is not to be used for a certain length of time, remove the batteries.

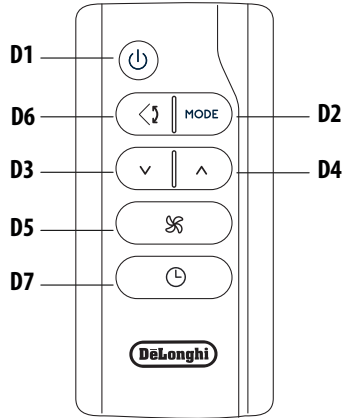
USING THE REMOTE CONTROL

- Point the remote control at the receiver no more than 23 feet (7 meters) away from the appliance (fig. 7) without obstacles between the remote control and the receiver.
- The remote control must be handled with care. Do not drop it or expose it to direct sunlight or sources of heat.

Please note: The remote control can be safely stored in the appropriate compartment (A11).

DESCRIPTION OF THE REMOTE CONTROL

- D1.** ON/STAND-BY button
- D2.** MODE button
- D3.** Decrease button
- D4.** Increase button
- D5.** Air flow selection button
- D6.** Swing button
- D7.** Timer button



D

TURNING THE APPLIANCE ON/OFF

- Plug into the outlet.
- Press the button (D1) to turn the unit on. When turned on, the air conditioner starts operating in the same mode as when it was turned off.
- To switch the appliance off, press the button (D1).

Please note: Never switch the appliance off by removing the plug. Always switch it off by pushing the button and waiting a few minutes before removing the plug. Only in this way will the appliance be able to perform its standard checks.

SELECTING THE OPERATING MODES

To select the desired operating mode, press repeatedly the MODE button (D6) until the desired function is selected. Most of the commands available on the remote control correspond to those on the appliance control panel (C).

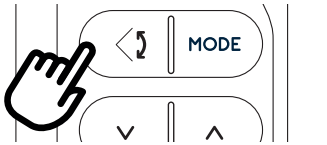
SELECTING THE TEMPERATURES

In air conditioning mode, press v (D3) and ^ (D4) keys to decrease/increase the desired temperature.

SELECTING THE AIR FLOW

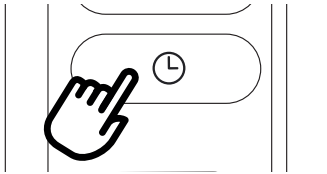
In air conditioning and fan modes, press (D5) button on remote control to increase/decrease the desired air flow.

SWING FUNCTION



The swing button (D6) activates and deactivates the swing function. When the internal fan is running, the swing function distributes the air evenly into the room moving the flap forwards and backwards alternatively. If pressed again, the flap will be locked into its current position. **NOTE:** If the internal fan is not running, the swing function will also not operate. In order to avoid damaging the internal mechanisms, the flap must not be moved manually.

SETTING THE TIMER



The timer allows the delayed start up or shut down of the appliance. This function will prevent wasting electricity by optimizing the operating periods.

How to program delayed shut down

- While the appliance is on in any operating mode, delayed shut down can be programmed.
- Press the ⌚ timer button (D7), the timer symbol (C13) and hours (C14) light up.
- Press the ∨ (D3) and ∧ (D4) buttons until the desired number of hours to shut down appears on the display.

A few seconds after the timer is set, the setting is memorized and the display shows the operating mode and the timer symbol stays lit. Once the set time is elapsed, the air conditioner goes into standby. To cancel the timer program, press the ⌚ timer button (D7) twice. The timer symbol (C13) will go off.

Note: Once the timer has been activated, by pressing the timer button only one time, the remaining hours until shut down will be displayed.

How to program delayed start up

- Plug in the appliance and set to standby.
- Press the ⌚ timer button (D7), the timer symbol (C13) and hours (C14) light up.
- Press the ∨ (D3) and ∧ (D4) buttons until the desired number of hours to start up appears. Start up can be programmed at any time in the next 24 hours.

When the set time is elapsed, the appliance will start to operate in the same operating mode that was previously set.

To cancel the timer program, press the timer button (D7) twice. The timer symbol (C13) will go off.

Note: Once the timer has been activated, by pressing the timer key only one time, the remaining hours to the start up will be displayed.

Note:

- This equipment has been tested and found to comply with the limits for a Class B digital device, pursuant to part 15 of the FCC Rules. These limits are designed to provide reasonable protection against harmful interference in a residential installation.
- This equipment generates, uses and can radiate radio frequency energy and, if not installed and used in accordance with the instructions, may cause harmful interference to radio communications. However, there is no guarantee that interference will not occur in a particular installation. If this equipment does cause harmful interference to radio or television reception, which can be determined by turning the equipment off and on, the user is encouraged to try to correct the interference by one or more of the following measures:

- Reorient or relocate the receiving antenna.
- Increase the separation between the equipment and receiver.
- Connect the equipment into an outlet on a circuit different from that to which the receiver is connected.
- Consult the dealer or an experienced radio/TV technician for help.

Changes or modifications not expressly approved by the party responsible for compliance could void the user's authority to operate the equipment.

- This device complies with Part 15 of the FCC Rules. Operation is subject to the following two conditions: (1) this device may not cause harmful interference, and (2) this device must accept any interference received, including interference that may cause undesired operation.
- This Class B digital apparatus complies with Canadian CAN ICES-3 (B) / NMB-3 (B).

FCC Responsible party:

De Longhi America
Upper Saddle River NJ 07452
201-919-4000

SELF-DIAGNOSIS

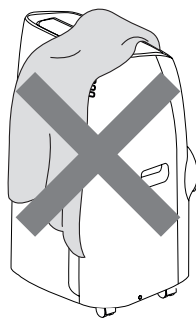
The appliance has a self diagnosis system to identify a number of warning/malfunctions. Error messages are displayed on the appliance display.

IF ... IS DISPLAYED,	IF ... IS DISPLAYED,	IF ... IS DISPLAYED,	IF ... IS DISPLAYED,	IF ... IS DISPLAYED,
LE	HE	LH	PF ▲	HL ▲
“Low Temperature” (Frost prevention)	“High Temperature”	“Low humidity”	“Probe Failure” (Probe damaged)	“High Level” (Internal tray full)
..WHAT SHOULD I DO?	..WHAT SHOULD I DO?	..WHAT SHOULD I DO?	..WHAT SHOULD I DO?	..WHAT SHOULD I DO?
The appliance is fitted with a frost protection device to avoid excessive formation of ice. The appliance starts up again automatically when the defrosting process is completed.	The appliance is fitted with an overheating device which in case of operating conditions with excessive room temperature for a long period, will switch the appliance to ventilate only. The appliance will be automatically restored as soon as the temperature will be close to the operating limit conditions.	This message will only be displayed when in Real Feel function, indicating that the room humidity level is extremely low. To resume operation, switch the unit to any other mode other than the Real Feel function.	If this is displayed, contact our toll free customer service number.	Empty the internal safety tank following the instructions in the section “End of season operations”

TIPS FOR CORRECT USE


To ensure optimal results from your air conditioner, follow these recommendations:

- Close the windows and doors where air conditioner will be used. When installing the air conditioner semi-permanently, you should leave a door slightly open (as little as 1/2 inch - 1 cm) to guarantee proper ventilation.
- Never use the appliance in very damp rooms (laundries for example).
- Protect the room from direct exposure to the sun by partially closing curtains and/or blinds to make the appliance much more economical to run.
- Never use the appliance outdoors.
- Make sure there are no heat sources in the room.
- Make sure the air conditioner is standing on a level surface.
- Never rest objects of any kind on the air conditioner.
- Never obstruct the air intake or air outlet flap (see figure below).



do not cover the appliance

CLEANING

Before cleaning or maintenance, turn the appliance off by using the  button, then unplug from the outlet.

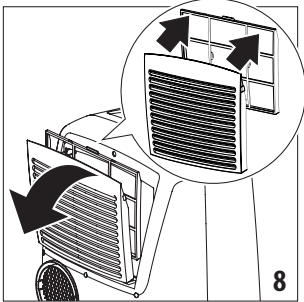
CLEANING THE CABINET

You should clean the appliance with a slightly damp cloth then dry with a dry cloth. For safety reasons, never wash the air conditioner with water. **Attention!** Never use petrol, alcohol or solvents to clean the appliance. Never spray insecticide liquids or similar.

CLEANING THE AIR FILTER

If the filter is dirty, air circulation is compromised and the efficiency of the appliance decreases. It is therefore good practice to clean the filter at regular intervals. The frequency depends on the duration and conditions of operation. If the unit is used constantly or systematically, you are recommended to clean the filter once a week. The filter is housed in the intake grille.

To clean the filter, remove as shown in fig. 8.



Use a vacuum cleaner to remove the dust collected on the filter. If it is very dirty, immerse in warm water and rinse a number of times. The water should never be hotter than 104°F.

After washing the filter, allow it to dry completely before repositioning it.

The filter helps capture dust and pollen.

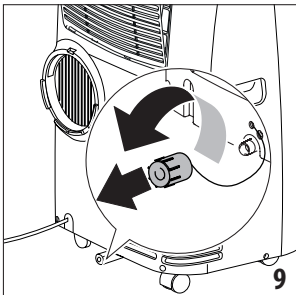
START OF SEASON CHECKS

Make sure the power cable and plug are undamaged and the ground system is sufficient.

Follow the installation instructions precisely.

END OF SEASON OPERATIONS

To drain all water from the circuit, remove the external cap by unscrewing it in the counter clockwise direction and allow the water to drain out into a basin (fig. 9).



When the appliance is empty, replace the caps.

Clean the filter and dry thoroughly before putting back.

In order to properly storage the appliance at the end of the season, we suggest you cover it with the supplied end of season dust cover (B9) and you put the accessories in the relevant end of season accessories bag (B8).

TECHNICAL SPECIFICATIONS

Power supply voltage	see rating label
Max. absorbed power during air conditioning	"
Refrigerant	"
Cooling capacity	"

ONLY FOR SERVICE CENTERS USE

THE WIRING DIAGRAM IS LOCATED INSIDE THE UNIT.

LIMIT CONDITIONS

Room temperature for air conditioning	61° ÷ 95°F (16-35 °C)
Maximum relative humidity	80% RH

Please note: outside of these conditions, the unit will take longer or may not reach the cooling temperature that is set.

Transport, filling, cleaning, recovery and disposal of refrigerant should be performed by a technical service centre appointed by the manufacturer only.

The appliance should be disposed of by a specialist centre appointed by the manufacturer only.

Attention! TO AVOID DAMAGE TO THE UNIT:

NEVER TRANSPORT OR TURN THE APPLIANCE UPSIDE DOWN OR ON ITS SIDE. IF THIS OCCURS, WAIT 6 HOURS BEFORE TURNING THE APPLIANCE ON, 24 HOURS IS RECOMMENDED. After the unit has been on its side, oil needs to return to the compressor to ensure proper function. Without allowing the unit this time (6-24 hours) the unit may function for only a short time, and then the compressor will break down from lack of oil.

TROUBLESHOOTING

PROBLEM	CAUSE	SOLUTION
The air conditioner does not come on	it is not plugged into the outlet	plug into the outlet
	there is no power	wait for the current to return
	the internal safety device has tripped	call the toll free customer service number
The air conditioner works for a short time only	there are bends or kinks in the air exhaust hose	position the air hose correctly, keeping it as short and free of curves as possible to avoid bottlenecks
	something is preventing the air from being discharged	check and remove any obstacles obstructing air discharge
The air conditioner works, but does not cool the room	windows, doors and/or curtains open	close doors, windows and curtains, bearing in mind the "TIPS FOR CORRECT USE" given above
	there are heat sources in the room (oven, hairdryer, etc	minimize heat sources impact by setting on low or unplugging unnecessary sources
	the air exhaust hose is detached from the appliance	fit the air exhaust hose in the housing at the back of the appliance (fig. 1).
	filter clogged	clean or replace the filter as described above
During operation, there is an unpleasant smell in the room	filter clogged or dirty	clean the filter as described above (fig. 8)
The air conditioner does not operate for about three minutes after restarting it	an internal safety device prevents the appliance from being restarted until three minutes have elapsed since it was last turned off	wait. This delay is part of normal operation.
One of the following messages is displayed: Lt/ Ht / Lh / PF / HL	the appliance has a self diagnosis system to identify a number of malfunctions.	see the SELF-DIAGNOSIS chapter

Précautions importantes

- Utilisez cet appareil uniquement tel que décrit dans le présent manuel d'instructions. Comme avec tous les appareils électriques, les instructions visent à couvrir autant de situations que possible. Il faut utiliser des précautions et du bon sens lorsque vous installez et faites fonctionner ce conditionneur d'air.
 - Cet appareil a été fabriqué pour refroidir et déshumidifier les environnements domestiques et il ne doit pas être utilisé dans d'autres buts.
- Il est dangereux d'altérer ou de modifier les caractéristiques de l'unité de toutes façons.
- L'appareil doit être installé conformément à la législation nationale.
 - En cas de réparations, contactez le Centre de service de réparations le plus proche. Il peut être dangereux de réparer l'appareil sans autorisation.
 - L'appareil n'est pas prévu pour des personnes (y compris des enfants) dont les capacités physiques, sensorielles ou mentales sont diminuées, ou manquent d'expérience et de connaissances, sauf s'ils reçoivent de la supervision ou des instructions sur l'utilisation de l'appareil par une personne responsable de leur sécurité. Les enfants doivent être supervisés pour s'assurer qu'il ne jouent pas avec l'appareil.
 - Si le câble d'alimentation est endommagé, il doit être remplacé par le fabricant ou un centre de maintenance technique autorisé afin d'éviter tout risque.
 - Vérifiez toujours que l'appareil est branché dans une prise à 3 fiches reliée à la terre. Si vous avez des doutes, vérifiez avec un électricien qualifié.
 - N'utilisez pas de rallonge.
 - Avant toute opération de nettoyage ou de maintenance, débranchez toujours l'appareil de la prise.
 - Ne tirez pas sur le cordon d'alimentation ni

- n'appliquez de contraintes lorsque vous déplacez l'appareil.
- L'appareil ne doit pas être installé là où l'atmosphère peut contenir des gaz combustibles, de l'huile ou du soufre, ou près d'une source de chaleur.
- Ne posez pas d'objets chauds ou lourds sur l'appareil.
- Nettoyez les filtres au moins une fois par semaine.
- Évitez d'utiliser des chauffages près de l'appareil.
- L'appareil doit être transporté en position verticale. S'il n'est pas possible de placer l'appareil dans un angle, ne le couchez pas horizontalement.
- Avant de transporter l'appareil, purgez-le. Après le transport, attendez au moins 6 heures avant d'allumer l'appareil.
- Les matériaux d'emballage sont recyclables. Vous devriez par conséquent les placer dans des conteneurs spéciaux pour le tri sélectif des déchets.
- Cet appareil est équipé d'un dispositif de sécurité. Lorsque le compresseur est éteint, ce dispositif l'empêche de s'allumer pendant 3 minutes.
- **AVERTISSEMENT:** Les modifications non expressément approuvées par l'entité responsable de la conformité peuvent annuler l'autorisation de l'utilisateur d'utiliser l'équipement.

Avertissements spécifiques concernant les appareils contenant du gaz réfrigérant R410A

Le R410A est un réfrigérant qui respecte les normes écologiques européennes ; néanmoins, il est recommandé de ne pas percer le circuit de refroidissement de la machine. A la fin de sa vie utile, remettez l'appareil à un centre de collecte des déchets spéciaux pour son élimination. Ce système hermétiquement scellé contient des gaz à effet de serre fluorés.

INFORMATIONS ENVIRONNEMENTALES :

Cet appareil contient des gaz à effet de serre fluorés couverts par le protocole de Kyoto.

La maintenance et l'élimination doivent être effectuées uniquement par du personnel qualifié (R410A, GWP=2088).

Conservez ces instructions

Ce produit est réservé à un usage domestique

INTRODUCTION

Merci d'avoir choisi un produit De'Longhi. Veuillez prendre quelques moments pour lire les instructions afin d'éviter les risques ou d'endommager l'appareil.

DESCRIPTION

Description de l'appareil (voir page 3 - A)

- A1** volet de sortie d'air
- A2** tableau de commande
- A3** poignées
- A4** roulettes
- A5** filtre à air
- A6** grille d'entrée d'air
- A7** logement du flexible d'évacuation d'air
- A8** grille d'entrée d'air
- A9** câble d'alimentation
- A10** flexible de purge avec bouchon
- A11** Compartiment pour la télécommande
- A12** récepteur du signal de la télécommande

Description des accessoires (voir page 3 - B)

- B1** adaptateur pour support de fenêtre
- B2** flexible d'évacuation d'air
- B3** adaptateur pour flexible
- B4** support de fenêtre supplémentaire
- B5** support de fenêtre avec écrou à oreilles
- B6** cache de support de fenêtre
- B7** télécommande
- B8** sac d'accessoires de fin de saison (*pas disponible sur tous les modèles)
- B9** pare-poussière de fin de saison (*pas disponible sur tous les modèles)
- B10** bande mousse adhésive

RACCORD ÉLECTRIQUE

Avant de brancher l'appareil dans la prise, vérifiez les points suivants :

- L'alimentation électrique de la prise secteur correspond à la valeur indiquée sur la plaque signalétique à l'arrière de l'appareil.
- La prise et le réseau électrique conviennent à l'appareil.
- La prise est une prise à 3 fiches reliée à la terre (⏏). Si ce n'est pas le cas, vous devez choisir une autre prise. Le non respect de ces instructions de sécurité importantes dégage le fabricant de toute responsabilité.

Si cela devient nécessaire, le câble d'alimentation doit être remplacé uniquement par un professionnel qualifié.

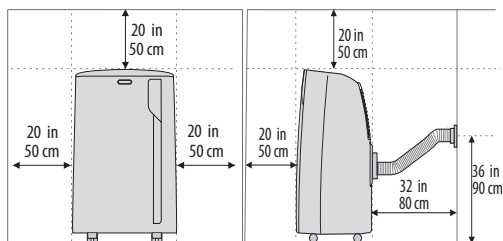
UTILISATION

Les instructions ci-dessous vous permettront de préparer votre conditionneur d'air aussi efficacement que possible avant sa mise en service. Avant d'utiliser l'appareil, assurez-vous que la prise d'air et le volet de sortie d'air ne sont pas obstrués.

Remarque : L'appareil est fourni avec une fonction d'auto-évaporation permettant d'éliminer le condensat pendant les modes de refroidissement et de déshumidification.

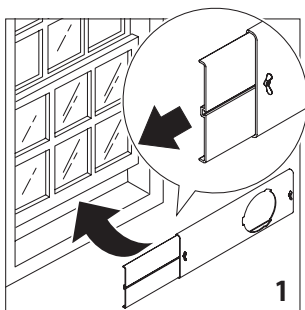
INSTALLATION DE LA CLIMATISATION

Pour des résultats optimaux, voir les illustrations ci-dessous pour les distances minimales conseillées.

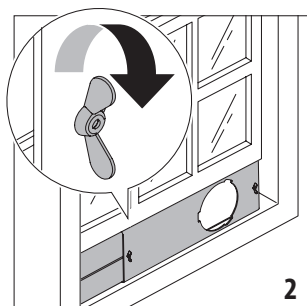


FENÊTRE À GUILLOTINE DOUBLE

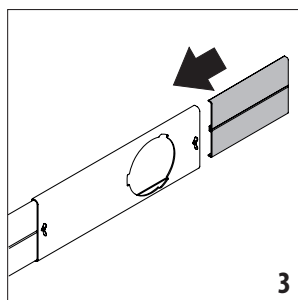
- Placez le support de fenêtre (B5) dans l'appui de fenêtre, étendez complètement le support à l'intérieur du cadre de fenêtre (fig. 1).



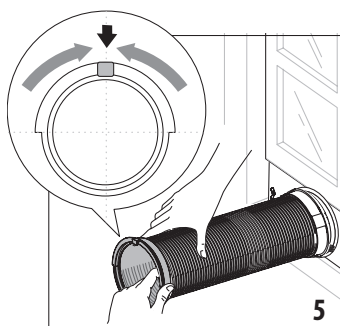
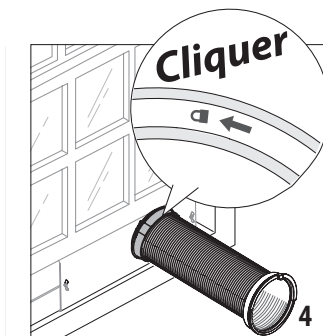
- Fixez le support à l'endroit prévu à cet effet en serrant l'écrou à oreilles (fig. 2). Attachez la bande en mousse fournie (B10) sur le support pour fenêtre, puis fermez la fenêtre sur le support. (Si le support de fenêtre est trop grand pour la fenêtre, le plastique peut être coupé avec une scie par un professionnel qualifié).



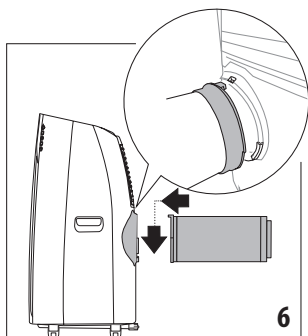
- Si les fenêtres sont grandes, utilisez un support de fenêtre supplémentaire (B4) pour couvrir l'ouverture de votre fenêtre, en l'étirant à la longueur requise, puis en le fixant avec l'écrou à oreilles fourni (fig. 3).



- Insérer et verrouiller l'accessoire pour support de fenêtre (B1) déjà fixé sur le flexible d'évacuation d'air, dans la fente du support de fenêtre (fig. 4).
- À l'autre extrémité, assurez-vous que la patte de l'adaptateur de flexible est bien droite (comme la position 12 sur une horloge), comme montré dans la Fig. 5.



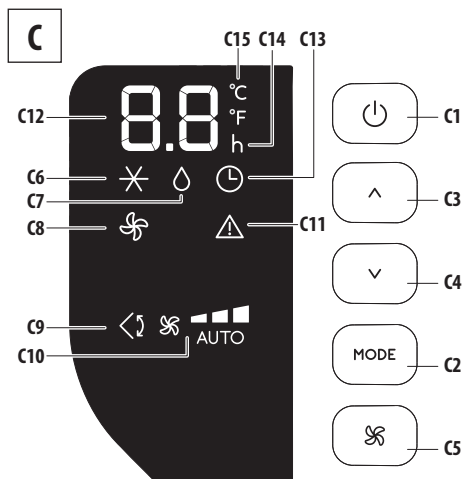
- Attachez le flexible assemblé au dos du conditionneur (fig. 6).



FENÊTRES COULISSANTES

- Grâce à l'écrou à oreilles, il est possible d'utiliser le support de fenêtre également pour les fenêtres coulissantes. Positionnez le trou du support de fenêtre dans le coin inférieur pour permettre l'installation correcte du flexible d'évacuation.

MANIPULATION À L'AIDE DU PANNEAU DE COMMANDE



DESCRIPTION DU PANNEAU DE COMMANDE (C)

- C1.** Touche ON/STAND-BY (marche/arrêt)
- C2.** Touche de sélection de mode (conditionnement de l'air, déshumidification, ventilation)
- C3.** Touche augmentation
- C4.** Touche diminution
- C5.** Touche de sélection du débit d'air (MIN/MOY/MAX/AUTO)
- C6.** Symbole de climatisation
- C7.** Symbole de déshumidification
- C8.** Symbole de ventilation
- C9.** Symbole Swing

- C10.** Indicateur de débit d'air
- C11.** Symbole Alarme
- C12.** Afficheur de température fixée, temps de marche/arrêt programmé
- C13.** Symbole minuterie
- C14.** Indicateur d'heure de la minuterie
- C15.** Indicateur d'échelle de température sélectionnée

FUNCTIONNEMENT DU PANNEAU DE COMMANDE ALLUMAGE ET ARRÊT DE L'APPAREIL

Insérez le bouchon dans la prise. Deux tirets apparaissent sur l'écran pour indiquer que l'appareil est en mode veille.



Appuyez sur la touche (C1) pour mettre l'appareil en marche.

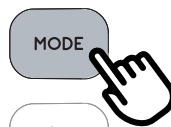
Le volet (A1) s'ouvre au bout de quelques secondes. Quand l'appareil s'allume, il démarrera avec la dernière fonction réglée avant qu'il ait été arrêté.

Remarque : Si le démarrage n'est pas continu, après quelques minutes la lumière d'affichage diminue pour réduire la consommation d'énergie.

Pour éteindre l'appareil, appuyez sur la touche et retirer la fiche de la prise.

Remarque : N'éteignez jamais le conditionneur d'air en débranchant simplement la fiche de la prise. Appuyez sur la touche afin de placer votre conditionneur d'air en veille et attendez quelques minutes avant de débrancher la prise. De cette manière, l'appareil peut effectuer les vérification de l'état fonctionnel.

SÉLECTION DE MODE



Pour sélectionner le mode de fonctionnement désiré, appuyez plusieurs fois sur la touche MODE (C2) jusqu'à ce que la fonction souhaitée soit sélectionnée.

✖ MODE CONDITIONNEMENT



Ce mode de fonctionnement est idéal par temps chaud et humide lorsque la pièce a besoin d'être refroidie. Cette fonction aide également à déshumidifier l'air.

Pour régler correctement ce mode :

- Appuyez plusieurs fois sur la touche **MODE** (C2) jusqu'à ce que le symbole de conditionnement d'air ✖ apparaisse. L'écran va afficher la température désirée.
 - Pour changer la température souhaitée, appuyez sur la touche ^ (C3) ou v (C4).
- Sélectionnez le débit d'air souhaité en appuyant sur la touche 🌀 (C5).

Les vitesses disponibles sont :

- 🌀 ■ **Débit d'air minimum** : quand un fonctionnement silencieux maximal est désiré.
- 🌀 ■■ **Débit d'air moyen** : lorsque le niveau doit être faible mais sans nuire au niveau de confort.
- 🌀 ■■■ **Débit d'air maximum** : pour un rendement maximum.
- 🌀 ■■■ **Auto** : L'appareil choisit automatiquement le meilleur débit de l'air en fonction de la température sélectionnée et des conditions environnementales.

◇ MODE DÉSHUMIDIFICATION



Ce mode est idéal pour réduire l'humidité dans la pièce (au printemps et à l'automne, dans les pièces humides, périodes pluvieuses, etc.). Pour ce type d'utilisation, l'appareil doit être configuré de la même manière qu'en mode conditionnement d'air. En d'autres termes, le flexible d'évacuation (B2) doit être fixé sur l'appareil

pour permettre à l'humidité de se décharger à l'extérieur.

Pour régler correctement ce mode :

- Appuyez plusieurs fois que la touche **MODE** (C2) jusqu'à ce que le symbole de déshumidification ◇ apparaisse.
- L'appareil choisira automatiquement le débit d'air le plus adapté.

🌀 MODE VENTILATEUR



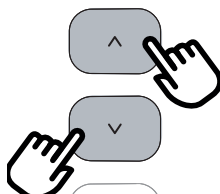
Lorsque vous utilisez ce mode, le flexible d'évacuation d'air (B2) n'a pas besoin d'être fixé à l'appareil. Pour régler correctement ce mode :

- Appuyez plusieurs fois sur la touche **MODE** (C2) jusqu'à ce que le symbole de ventilation 🌀 apparaisse.
- Sélectionnez le débit d'air souhaité en appuyant sur la touche 🌀 (C5).

Les débits d'air disponibles sont :

- 🌀 ■ **Débit d'air minimum** : quand un fonctionnement silencieux est souhaité.
- 🌀 ■■ **Débit d'air moyen** : lorsque le niveau de bruit doit être faible mais avec un bon niveau de confort.
- 🌀 ■■■ **Débit d'air maximum** : pour des performances maximales.

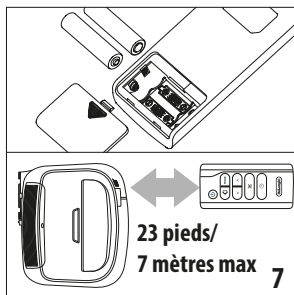
SÉLECTIONNEZ L'UNITÉ DE MESURE DE LA TEMPÉRATURE



Il est possible d'afficher la température en °C ou en °F. Pour changer l'unité de mesure de la température, appuyez simultanément sur les deux touches d'augmentation ^ (C3) et de diminution v (C4) pendant 10 secondes.

MANIPULATION À L'AIDE DE LA TÉLÉCOMMANDE INSÉRER OU REMPLACER LES BATTERIES

- Retirez le couvercle à l'arrière de la télécommande ;
- Mettez en place ou remplacez-les par de nouvelles piles LR03 "AAA" 1,5V batteries, en les introduisant correctement (voir les instructions présentes dans le logement des piles) (fig. 7) ;
- Remplacez le couvercle.



Remarque : Si la télécommande est remplacée ou mise au rebut, les piles doivent être retirées et éliminées conformément à la législation actuelle car elles sont nocives pour l'environnement. Ne mélangez pas les anciennes et les nouvelles piles. Ne mélangez pas des piles alcalines, standard (carbone-zinc) ou rechargeable (nickel-cadmium). Ne jetez pas les piles dans le feu. Les piles peuvent exploser ou fuir. Si vous n'utilisez plus la télécommande pendant un certain temps, retirez les piles.

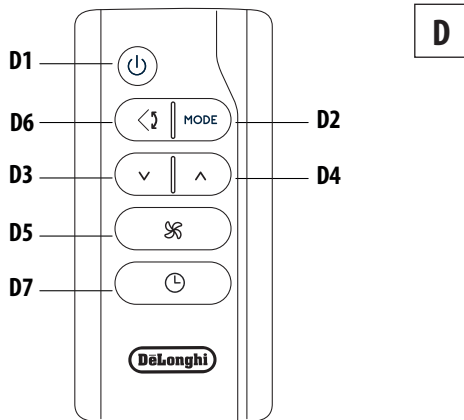
UTILISATION DE LA TÉLÉCOMMANDE

- Dirigez la télécommande vers le récepteur à une distance maximale de 23 pieds (7 mètres) de l'appareil (fig. 7) sans obstacle entre la télécommande et le récepteur.
- La télécommande doit être manipulée avec précaution. Ne la laissez pas tomber, et ne l'exposez pas à la lumière directe du soleil ou à des sources de chaleur.

Remarque : La télécommande peut être rangée en toute sécurité dans le compartiment approprié (A11).

DESCRIPTION DE LA TÉLÉCOMMANDE

- D1.** Touche ON/STAND-BY (MARCHE/VEILLE)
- D2.** Touche MODE
- D3.** Touche de diminution
- D4.** Touche d'augmentation
- D5.** Touche de sélection de débit d'air
- D6.** Touche de rotation
- D7.** Touche minuterie



MISE EN MARCHÉ/ARRÊT DE L'APPAREIL

- Branchez le câble dans la prise secteur.
- Appuyez sur la touche (D1) pour mettre l'appareil en marche. Quand il est allumé, le conditionneur d'air commence à fonctionner dans le même mode que lorsqu'il a été éteint.
- Pour éteindre l'appareil, appuyez sur la touche (D1).

Remarque : N'éteignez jamais l'appareil en débranchant la prise. Éteignez-le toujours en appuyant sur la touche et en attendant quelques minutes avant de retirer la prise. Ce n'est que de cette manière que l'appareil pourra effectuer ses contrôles standard.

SÉLECTION DES MODES DE FONCTIONNEMENT

Pour sélectionner le mode de fonctionnement souhaité, appuyez plusieurs fois sur la touche MODE (D6) jusqu'à ce que la fonction souhaitée soit sélectionnée.

La plupart des commandes disponibles sur la télécommande correspondent à celles sur le panneau de commande de l'appareil (C).

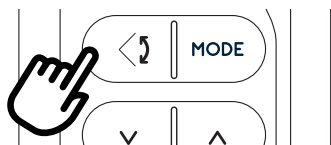
SÉLECTION DES TEMPÉRATURES

En mode de conditionnement de l'air, appuyez sur les touches (D3) et (D4) pour diminuer/augmenter la température souhaitée.

SÉLECTIONNER LE DÉBIT D'AIR

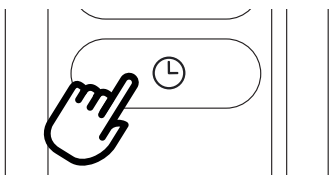
Dans les modes de conditionnement d'air et de ventilation, appuyez sur le bouton (D5) sur la télécommande pour augmenter/diminuer le débit d'air souhaité.

FUNCTION SWING



Le bouton de rotation (D6) active et désactive la fonction de rotation. Lorsque le ventilateur interne fonctionne, la fonction de rotation distribue l'air uniformément dans la pièce en déplaçant le volet alternativement vers l'avant et vers l'arrière. Si l'on appuie sur le bouton à nouveau, le volet se verrouille dans sa position en cours. **REMARQUE** : Si le ventilateur interne ne fonctionne pas, la fonction de rotation ne fonctionnera pas non plus. Afin d'éviter d'endommager les mécanismes internes, le volet ne doit pas être actionné manuellement.

RÉGLAGE DE LA MINUTERIE



La minuterie permet de démarrer ou d'éteindre l'appareil à retardement. Cette fonction évite de gaspiller le courant en optimisant les périodes de fonctionnement.

Comment programmer l'extinction à retardement

- Tandis que l'appareil est en marche dans un mode de fonctionnement quelconque, il est possible de programmer une extinction à retardement.
- Appuyez sur la touche minuterie ☹ (D7), le symbole de minuterie (C13) et les heures (C14) s'allument.
- Appuyez sur les touches ∨ (D3) et ∧ (D4) jusqu'à ce que le nombre d'heures souhaitées pour l'arrêt s'affiche à l'écran. Quelques secondes après que la minuterie a été réglée, le réglage est mémorisé et l'écran affiche le mode de fonctionnement et le symbole de la minuterie reste allumé. Une fois que le laps de temps défini s'est écoulé, le conditionneur d'air passe en mode veille. Pour effacer le programme de la minuterie, appuyez sur la touche de minuterie ☹ (D7) deux fois. Le symbole de minuterie (C13) s'éteint.

Remarque : Une fois la minuterie activée, en appuyant une fois sur le bouton de minuterie, les heures restantes pour l'extinction de l'appareil s'afficheront.

Comment programmer le démarrage à retardement

- Branchez l'appareil et réglez-le sur veille.
- Appuyez sur la touche minuterie ☹ (D7), le symbole de minuterie (C13) et les heures (C14) s'allument.

- Appuyez sur les touches ∨ (D3) et ∧ (D4) jusqu'à ce que le nombre d'heures souhaité pour démarrer s'affiche. Le démarrage peut être programmé à tout moment dans les 24 heures suivantes.

Lorsque le laps de temps défini s'est écoulé, l'appareil recommence à fonctionner dans le mode de fonctionnement qui était défini auparavant.

Pour effacer le programme de la minuterie, appuyez sur la touche de minuterie (D7) deux fois.

Le symbole de minuterie (C13) s'éteint.

Remarque : Une fois la minuterie activée, en appuyant une fois sur la touche de minuterie, les heures restantes pour le démarrage de l'appareil s'afficheront.

- **Note**: cet équipement a été testé et est conforme avec les limites de dispositif numérique de classe B en vertu de l'article 15 des règlements du FCC. Ces limites sont conçues afin de fournir une protection raisonnable contre les interférences dommageables dans une installation résidentielle.
- Cet équipement produit, utilise et peut radier de l'énergie radiofréquence et, s'il n'est pas installé et utilisé conformément aux directives et mode d'emploi, pourrait provoquer des interférences dommageables aux communications radio. Cependant, il n'y a aucune garantie que l'interférence ne se produira pas sur une installation particulière. Si cet équipement provoque une interférence dommageable à la réception radio et télévision, laquelle peut être déterminée en éteignant ou allumant l'équipement, l'utilisateur doit essayer de corriger l'interférence grâce aux mesures suivantes:
 - Réorientez ou relocalisez les antennes de réception.
 - Augmentez la distance entre l'équipement et le récepteur.
 - Branchez l'équipement dans une prise sur un circuit différent de celui auquel le récepteur est branché.
 - Consultez le service à la clientèle ou un technicien professionnel radio/télévision pour de l'aide.Les changements ou les modifications qui ne sont pas approuvées par la partie responsable pour la conformité pourraient annuler l'autorité de l'utilisateur d'utiliser l'appareil.
- Cet appareil est conforme à la disposition 15 des règlements FCC. L'utilisation est soumise aux deux conditions suivantes:
 - (1) Cet appareil ne doit pas causer d'interférence nuisibles.
 - (2) Cet appareil doit accepter toutes les interférences reçues, y compris les interférences qui risquent d'en gêner le fonctionnement.
- Cet appareil numérique de la classe B est conforme à la norme NMB-003 du Canada.

Partie responsable FCC:

De Longhi America
Upper Saddle River NJ 07452
201-919-4000

AUTO-DIAGNOSTIC

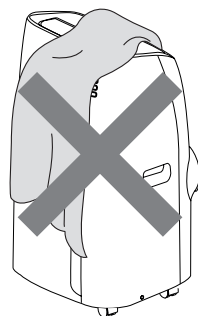
L'appareil possède un système d'auto-diagnostic permettant d'identifier un certain nombre d'avertissements/dysfonctionnements. Les messages d'erreur s'affichent sur l'écran de l'appareil.

SI ... S'AFFICHE,	SI ... S'AFFICHE,	SI ... S'AFFICHE,	SI ... S'AFFICHE,	SI ... S'AFFICHE,
LE	HE	LH	PF ▲	HL ▲
« Basse température » (Prévention contre le givre)	« Température haute »	« Humidité basse »	« Échec sonde » (Sonde endommagée)	« Niveau élevé » (Bac intérieur plein)
..QUE DEVRAIS-JE FAIRE ?	..QUE DEVRAIS-JE FAIRE ?	..QUE DEVRAIS-JE FAIRE ?	..QUE DEVRAIS-JE FAIRE ?	..QUE DEVRAIS-JE FAIRE ?
L'appareil est équipé d'un dispositif de protection antigel afin d'éviter la formation excessive de glace. L'appareil redémarre automatiquement lorsque le processus de dégivrage est terminé.	L'appareil est équipé d'un dispositif de surchauffe qui, en cas de conditions de fonctionnement avec une température ambiante excessive pendant une période prolongée, mettra l'appareil en mode ventilation uniquement. Le fonctionnement de l'appareil sera automatiquement rétabli dès que la température sera proche des conditions limites de fonctionnement.	Ce message ne s'affiche que lorsque l'appareil est en fonction « Real Feel », indiquant que le niveau d'humidité de la pièce est extrêmement bas. Pour remettre l'appareil en marche, mettez-le dans un autre mode que la fonction « Real Feel ».	Si c'est affiché, contactez le numéro gratuit de notre service clientèle.	Vider le réservoir de sécurité interne en suivant les instructions de la section « Opérations de fin de saison »

CONSEILS POUR L'UTILISATION

Afin d'obtenir des résultats optimaux de votre conditionneur d'air, suivez les recommandations suivantes :

- Fermez les portes et les fenêtres dans la pièce où vous utilisez le conditionneur d'air. Lors de l'installation semi-permanente du conditionneur d'air, vous devez laisser une porte légèrement ouverte (environ 1/2 pouce - 1 cm) pour garantir une bonne aération.
- N'utilisez jamais l'appareil dans des pièces très humides (les buanderies par exemple).
- Protégez la pièce de l'exposition directe au soleil en fermant partiellement les rideaux et/ou les volets afin d'obtenir un fonctionnement plus économique de l'appareil.
- N'utilisez jamais l'appareil à l'extérieur.
- Assurez-vous qu'il n'y a pas de source de chaleur dans la pièce.
- Assurez-vous que le conditionneur d'air est placé sur une surface horizontale.
- Ne posez jamais d'objets quels qu'ils soient sur le conditionneur d'air.
- N'obstruez jamais le volet d'admission ou de sortie d'air (voir figure ci-dessous).



ne couvrez pas l'appareil

NETTOYAGE

Avant le nettoyage ou la maintenance, éteignez l'appareil avec le bouton , puis débranchez-le de la prise.

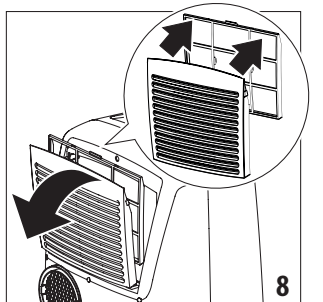
NETTOYAGE DE L'ARMOIRE

Vous devriez nettoyer l'appareil avec un chiffon légèrement humide, puis l'essuyer avec un chiffon sec. Pour des raisons de sécurité, ne lavez jamais le conditionneur d'air avec de l'eau. **Attention !** N'utilisez jamais de l'essence, de l'alcool ou des solvants pour nettoyer l'appareil. Ne répandez jamais de liquides insecticides ou autres.

NETTOYAGE DU FILTRE À AIR

Si le filtre est sale, la circulation d'air est compromise et l'efficacité de l'appareil diminue. Il est donc recommandé de nettoyer le filtre à intervalles réguliers. La fréquence dépend de la durée et des conditions de fonctionnement. Si l'appareil est utilisé de façon continue ou systématique, il est recommandé de nettoyer le filtre une fois par semaine. Le filtre est situé dans la grille d'entrée d'air.

Pour nettoyer le filtre, retirez-le comme montré dans la fig. 8.



Utilisez un aspirateur pour enlever la poussière accumulée sur le filtre. S'il est très sale, plongez-le dans de l'eau tiède et rincez-le plusieurs fois. La température de l'eau ne devrait jamais dépasser 104 °F.

Après avoir lavé le filtre, laissez-le sécher complètement avant de le remettre en place.

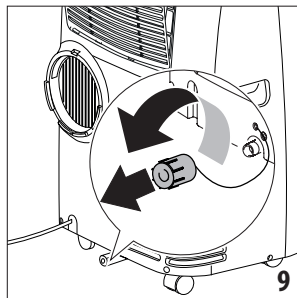
Le filtre aide à capturer la poussière et le pollen.

DÉBUT DES CONTRÔLES DE SAISON

Assurez-vous que le câble électrique et la fiche ne sont pas endommagés et que le système de mise à la terre est approprié. Suivez scrupuleusement les instructions d'installation.

FIN DES CONTRÔLES DE SAISON

Pour vidanger toute l'eau du circuit, retirez le bouchon externe en le dévissant dans le sens inverse des aiguilles d'une montre et laissez l'eau s'écouler dans un bac (fig. 9).



Lorsque l'appareil est vide, remplacez les bouchons. Nettoyez le filtre et séchez-le entièrement avant de le replacer. Afin de bien ranger l'appareil à la fin de la saison, nous vous conseillons de le couvrir avec le pare-poussière de fin de saison (B9) fourni et de placer les accessoires dans le sac d'accessoires de fin de saison (B8).

SPÉCIFICATIONS TECHNIQUES

Tension d'alimentation	voir plaque signalétique
Puissance max absorbée pendant la climatisation	"
Réfrigérant	"
Capacité de refroidissement	"

USAGE RÉSERVÉ EXCLUSIVEMENT AUX CENTRES DE SERVICE

LE SCHÉMA DE CÂBLAGE SE TROUVE DANS L'APPAREIL.

CONDITIONS LIMITES

Température ambiante pour conditionnement de l'air	16-35 °C (61° à 95°F)
Humidité relative maximale	80% RH

Remarque : Si ces conditions ne sont pas remplies, l'appareil prendra plus de temps ou n'atteindra peut-être pas la température de refroidissement programmée.

Toutes les opérations de transport, remplissage, nettoyage, récupération et élimination du réfrigérant doivent être effectuées uniquement par un centre de maintenance agréé par le fabricant. L'appareil doit être éliminé par un centre spécialisé agréé par le fabricant uniquement.

Attention ! POUR ÉVITER TOUT DOMMAGE À L'APPAREIL:

NE TRANSPORTEZ NI NE RENVERSEZ L'APPAREIL À L'ENVERS OU

SUR LE CÔTÉ. SI CELA SE PRODUIT, ATTENDEZ 6 HEURES AVANT D'ALLUMER L'APPAREIL, 24 HEURES SONT RECOMMANDÉES. Une fois que l'appareil a été placé sur le côté, l'huile doit revenir vers le compresseur afin de garantir un fonctionnement adéquat. Si l'on ne laisse pas reposer l'appareil pendant ce laps de temps (6-24 heures), l'unité peut fonctionner uniquement pendant une période courte, puis le compresseur va tomber en panne par manque d'huile.

DIAGNOSTIC DE PANNE

PROBLÈME	CAUSE	SOLUTION
Le conditionneur d'air ne démarre pas	Il n'est pas branché dans la prise de courant	branchez la fiche dans la prise de courant
	il n'y a pas de courant	attendre que le courant revienne
	le dispositif de sécurité interne s'est déclenché	appeler le numéro gratuit du service clientèle
Le conditionneur d'air fonctionne seulement pendant une courte période	le flexible d'évacuation d'air est cintré ou a des coudes	positionnez correctement le tuyau d'air, en le maintenant aussi court et le plus droit possible pour éviter les goulots d'étranglement
	quelque chose empêche l'air d'être évacué	vérifiez et éliminez les obstacles qui obstruent l'évacuation de l'air
Le conditionneur d'air est en marche mais il ne rafraîchit pas la pièce	des fenêtres, portes et/ou rideaux sont ouverts	fermez les portes, fenêtres et rideaux, en tenant compte des « CONSEILS D'UTILISATION » indiqués plus haut
	il y a des sources de chaleur dans la pièce (four, sèche-cheveux etc.)	minimiser l'impact des sources de chaleur en réglant les sources de chaleur inutiles le plus bas possible ou en les débranchant
	le flexible d'évacuation d'air est débranché de l'appareil	raccorder le flexible d'évacuation d'air dans le logement à l'arrière de l'appareil (fig. 1).
	filtre obstrué	nettoyer ou remplacer le filtre comme décrit ci-dessus
Pendant le fonctionnement, l'appareil émane une odeur nauséabonde dans la pièce	filtre obstrué ou sale	nettoyer le filtre comme indiqué ci-dessus (fig. 8)
Le conditionneur d'air ne fonctionne pas pendant environ trois minutes après l'avoir démarré	un dispositif de sécurité interne empêche le redémarrage de l'appareil jusqu'à ce que trois minutes se soient écoulées depuis sa dernière fois qu'il a été éteint	attendez. Ce délai fait partie du fonctionnement normal.
Un des messages suivants s'affiche : Lt/ Ht / Lh / PF / HL	L'appareil possède un système d'auto-diagnostic permettant d'identifier un certain nombre de dysfonctionnements.	Voir le chapitre AUTO-DIAGNOSTIC

Importantes medidas de seguridad

- Utilice este aparato solo como se describe en este manual de instrucciones. Al igual que con cualquier aparato eléctrico, las instrucciones están destinadas a cubrir tantas situaciones como sea posible. La prudencia y el sentido común deben ser utilizados durante el funcionamiento y la instalación de este aparato de aire acondicionado.
- Este aparato ha sido fabricado para enfriar y deshumidificar ambientes domésticos y no debe ser utilizado para otros fines.
- Es peligroso alterar o modificar las características de la unidad en modo alguno.
- El aparato debe ser instalado de acuerdo con la legislación nacional pertinente.
- Si se requieren reparaciones, póngase en contacto con el Centro de Servicio de Reparación autorizado más cercano. Utilizar un servicio no autorizado puede ser peligroso.
- El aparato no debe ser usado por personas (incluidos los niños) con capacidades físicas, sensoriales o mentales disminuidas, o con falta de experiencia y conocimiento, a menos que sean supervisados o instruidos acerca del uso del aparato por una persona responsable de su seguridad. Los niños deben ser supervisados para asegurarse de que no jueguen con el aparato.
- Si el cable de alimentación está dañado, debe ser sustituido por el fabricante o por un centro de servicio técnico autorizado a fin de evitar todo riesgo.
- Asegúrese siempre de que el aparato esté enchufado en una toma de 3 clavijas con toma de tierra. Si tiene cualquier duda consulte con un electricista calificado.
- No utilice cables de extensión.
- Antes de limpiar o realizar operaciones de mantenimiento, siempre desconecte la unidad de la toma de corriente.
- No tire o ponga tensión en el cable de alimentación al mover el aparato.
- El aparato no debe ser instalado donde la atmósfera pueda contener gases combustibles, aceite o azufre, o cerca de fuentes de calor.
- No deje objetos pesados o calientes sobre el aparato.
- Limpie los filtros al menos una vez a la semana.
- Evite el uso de calentadores cerca de la unidad.
- La unidad debe ser transportada en posición vertical. Si esto no es posible, fije la unidad en un ángulo, no la acueste horizontalmente.
- Antes de transportar la unidad, vacíe la unidad. Después del transporte, espere al menos 6 horas antes de encender la unidad.
- El material del embalaje puede reciclarse. Por lo tanto, se recomienda colocarlos en los contenedores especiales para la recolección de residuos diferenciados.
- Este aparato está equipado con un dispositivo de seguridad especial. Cuando el compresor se apaga, este dispositivo le impide encenderlo de nuevo durante al menos 3 minutos.
- ADVERTENCIA: Los cambios o modificaciones no aprobados expresamente por la parte responsable del cumplimiento podrían anular la autoridad del usuario para operar el equipo.

Advertencias específicas para aparatos con gas refrigerante R410A

R410A es un refrigerante que cumple con las normas ecológicas europeas; sin embargo, se recomienda no perforar el circuito de refrigeración de la máquina. Al final de su vida útil, entregue el aparato a un centro de recolección de residuos especiales para su eliminación.

Este sistema herméticamente sellado contiene gases fluorados con efecto invernadero.

INFORMACIÓN MEDIOAMBIENTAL:

Esta unidad contiene gases fluorados con efecto invernadero cubiertos por el Protocolo de Kioto.

El mantenimiento y eliminación deben llevarse a cabo únicamente por personal cualificado (R410A, GWP=2088).

Guarde estas instrucciones

Este producto está destinado exclusivamente al uso doméstico

INTRODUCCIÓN

Gracias por elegir un producto De'Longhi. Le rogamos que dedique unos instantes a leer las instrucciones para evitar riesgos o daños en el aparato.

DESCRIPCIÓN

Descripción del aparato (consulte la página 3 - A)

- A1** Rejilla de salida de aire
- A2** Panel de control
- A3** Manijas
- A4** Ruedas giratorias
- A5** Filtro de aire
- A6** Rejilla de entrada de aire
- A7** Receptáculo de manguera de escape de aire
- A8** Rejilla de entrada de aire
- A9** Cable de alimentación
- A10** Manguera de drenaje con tapón
- A11** Compartimiento de control remoto
- A12** Receptor de señal de control remoto

Descripción de los accesorios (consulte la página 3 - B)

- B1** Adaptador para soporte de ventana
- B2** Manguera de escape de aire
- B3** Adaptador de manguera
- B4** Soporte de ventana adicional
- B5** Soporte de ventana con tuerca de mariposa
- B6** Tapa del soporte de ventana
- B7** Control remoto
- B8** Bolsa de accesorios de final de temporada (*no en todos los modelos)

B9 Cubierta para polvo de final de temporada (*no en todos los modelos)

B10 cinta autoadhesiva de espuma

CONEXIÓN ELÉCTRICA

Antes de enchufar el aparato a la toma de corriente, compruebe que:

- El suministro de energía de salida corresponda con el valor indicado en la etiqueta de valor nominal del aparato.
- La salida y el circuito eléctrico sean adecuados para el aparato.
- La toma es una toma de tierra de 3 orificios (⊕). Si este no es el caso, debe elegir otra toma de corriente. El incumplimiento de estas instrucciones de seguridad importantes libera al fabricante de toda responsabilidad.

Si es necesario, el cable de alimentación debe ser reemplazado por un profesional cualificado.

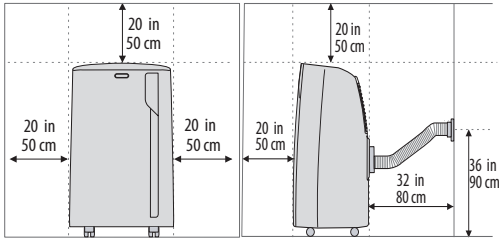
USO

Las siguientes instrucciones le permitirán preparar su aire acondicionado para funcionar tan eficientemente como sea posible. Antes de su uso, asegúrese de que la admisión de aire y la tapa de salida de aire no estén obstruidas.

Por favor observe: Este aparato se suministra con una función de auto-evaporación para extracción de condensado durante los modos de enfriamiento y deshumidificación.

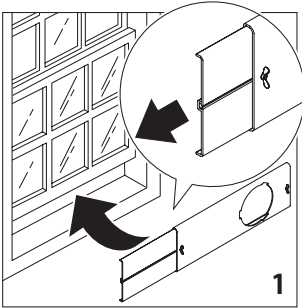
INSTALACIÓN DEL AIRE ACONDICIONADO

Para resultados óptimos véanse las cifras a continuación referidas a las distancias mínimas sugeridas.

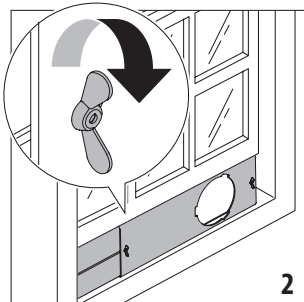


VENTANA PARA DOBLE COLGADO

- Colocar el soporte de ventana (B5) en el alféizar de la ventana, extienda el soporte plenamente dentro del marco de la ventana (Fig. 1).

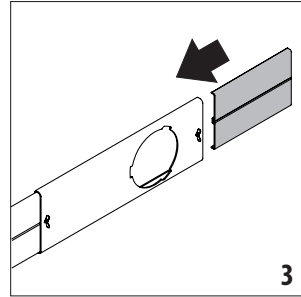


- Fije el soporte en su lugar apretando la tuerca de mariposa (fig. 2). Coloque la tira de espuma suministrada (B10) en la parte superior del soporte de la ventana y luego en la parte inferior del soporte de la misma. (Un profesional cualificado podrá cortar el plástico en caso de que el soporte de ventana fuera demasiado grande para la ventana.

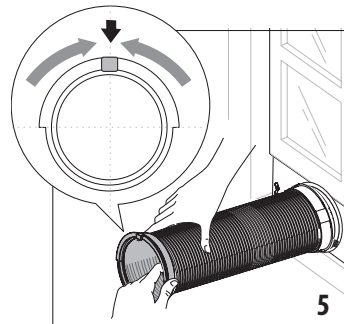
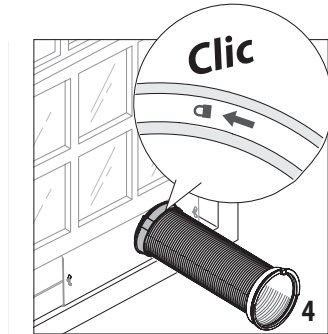


- Si las ventanas son grandes, utilice un soporte para ventana

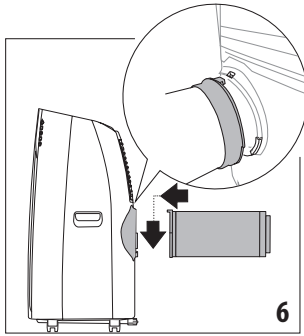
adicional (B4) para cubrir el vano de ventana, extendiéndolo a la longitud requerida, luego asegúrelo con la tuerca de mariposa de bloqueo suministrada (fig. 3).



- Insertar y bloquear el accesorio para soporte de ventana (B1) ya conectado en el tubo de escape de aire, en la ranura del soporte de ventana (fig. 4).
- En el otro extremo, asegúrese de que la lengüeta del adaptador de la manguera esté recta hacia arriba (como a las 12 en un reloj) como se muestra en la fig. 5.



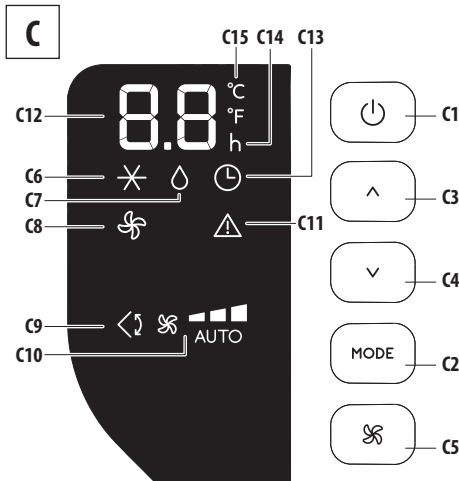
- Conecte la manguera ensamblada en la parte trasera del aire acondicionado (fig. 6).



VENTANAS DESLIZANTES

- Gracias a la tuerca de mariposa de bloqueo, es posible utilizar el soporte de ventana también para ventanas deslizantes. Posicione el orificio del soporte de la ventana en la esquina inferior para permitir la instalación correcta de la manguera de escape.

OPERACIÓN DESDE EL PANEL DE CONTROL



DESCRIPCIÓN DEL PANEL DE CONTROL (C)

- C1.** tecla ON/STAND-BY (on/off)
- C2.** Tecla de selección de modo (aire acondicionado, deshumidificador, ventilador)
- C3.** Tecla de aumento
- C4.** Tecla de reducción
- C5.** Tecla de selección de flujo de aire (MIN/MED/MAX/AUTO)
- C6.** Símbolo aire acondicionado
- C7.** Símbolo deshumidificación
- C8.** Símbolo ventilador
- C9.** Símbolo Swing


- C10.** Indicador de flujo de aire
- C11.** Símbolo alarma
- C12.** Pantalla de ajuste de temperatura, tiempo programado encendido/apagado
- C13.** Símbolo de temporizador
- C14.** Indicador de la hora del temporizador
- C15.** Indicador escala de temperatura seleccionada

OPERACIÓN DEL PANEL DE CONTROL

APAGAR Y ENCENDER APARATO

Inserte el enchufe en la toma. Aparecen dos guiones en la pantalla indicando que el aparato está en modo de espera.




Tocar la tecla  (C1) para encender el aparato.

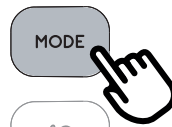
La compuerta (A1) se abre después de unos pocos segundos. Cuando el aparato se enciende, iniciará con la última función establecida antes del apagado.

Por favor observe: Si se interrumpe la puesta en marcha, al cabo de unos minutos la luz de la pantalla se regula para reducir el consumo de energía.

Para apagar el aparato, toque la tecla  y desconecte el enchufe de la toma.

Por favor observe: Nunca apague el aire acondicionado simplemente tirando del enchufe. Pulse la tecla  para poner el aire acondicionado en modo de espera y espere unos minutos antes de retirar el enchufe. De esta forma, el aparato puede realizar las comprobaciones de estado operativo.

SELECCIÓN DE MODOS



Para seleccionar el modo de operación deseado, pulse repetidamente la tecla MODO (C2) hasta que la función deseada sea seleccionada.

✧ MODO DE AIRE ACONDICIONADO



Este es ideal para temperatura caliente y húmeda cuando la habitación necesita ser enfriada. Esta función también ayuda para deshumidificar el aire.

Para establecer correctamente este modo:

- Pulse repetidamente la tecla **MODO** hasta (C2) que aparezca el ✧ símbolo de aire acondicionado. La pantalla mostrará la temperatura deseada.
 - Para cambiar la temperatura deseada, toque la tecla \wedge (C3) o \vee (C4).
- Seleccione el flujo de aire deseado tocando la tecla ✧ (C5).

Las velocidades disponibles son:

- ✧ ■ **Flujo de aire mínimo:** cuando el silencio es máximo operación de silencio máximo.
- ✧ ■■ **Flujo de aire medio:** cuando el nivel de ruido debe ser bajo pero con un buen nivel de confort.
- ✧ ■■■ **Flujo de aire máximo:** para máximo rendimiento.
- ✧ ■■■■ **Auto:** el aparato automáticamente escoge el mejor flujo de aire basado en la temperatura seleccionada y las condiciones ambientales.

◊ MODO DE DESHUMIDIFICACIÓN

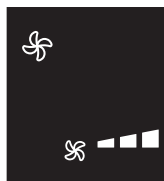


Esto es ideal para reducir la humedad en la habitación (primavera y otoño, habitaciones muy húmedas, época de lluvias, etc). Para este tipo de uso, el aparato debe estar configurado de la misma manera que en el modo de aire acondicionado. Es decir, la manguera de escape de aire (B2) debe estar instalada en el dispositivo para permitir que la humedad sea descargada en el exterior.

Para establecer correctamente este modo:

- Pulse repetidamente la tecla **MODO** hasta (C2) que aparezca el ◊ símbolo deshumidificación.
- El aparato seleccionará de modo automático el flujo de aire más adecuado.

✧ MODO VENTILADOR



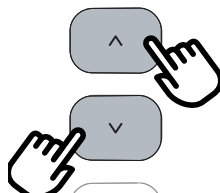
Cuando se utiliza este modo, el tubo de escape de aire (B2) no necesita estar conectado al aparato. Para establecer correctamente este modo:

- Pulse repetidamente la tecla (C2) MODO hasta que aparezca el símbolo del ✧ ventilador.
- Seleccione el flujo de aire deseado pulsando el botón ✧ (C5).

A continuación los flujos de aire disponibles:

- ✧ ■ **Flujo de aire mínimo:** cuando se desea operación de silencio máximo.
- ✧ ■■ **Flujo de aire medio:** cuando el nivel de ruido debe ser bajo pero con un buen nivel de confort.
- ✧ ■■■ **Flujo de aire máximo:** para máximo rendimiento.

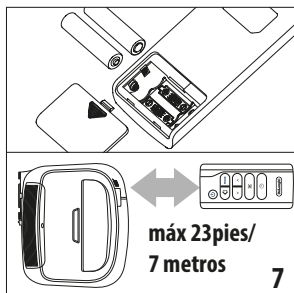
SELECCIONE LA ESCALA DE TEMPERATURA



La temperatura puede visualizarse en °C o °F. Para cambiar la unidad de medida de temperatura pulse ambas teclas de aumento \wedge (C3) o disminución \vee (C4) durante unos 10 segundos.

OPERACIÓN DESDE EL CONTROL REMOTO INSERTAR O SUSTITUIR LAS BATERÍAS

- Retire la tapa de la parte posterior del control remoto;
- Introduzca o reemplace las baterías con dos nuevas LR03 "AAA" de 1,5V, insértelas correctamente (consulte las indicaciones en el interior del compartimento de la batería) (fig. 7);
- Vuelva a colocar la cubierta.



Por favor observe: Si la unidad de control remoto se sustituye o se descarta, las baterías deben retirarse y eliminarse de acuerdo con la legislación actual ya que son perjudiciales para el medio ambiente. No mezcle baterías viejas y nuevas.

No mezcle baterías alcalinas, de carbono-zinc (estándar) o recargables (níquel-cadmio). No arroje las baterías al fuego. Las baterías pueden explotar o tener filtraciones. Si no va a utilizar el control remoto durante un cierto período de tiempo, quite las baterías.

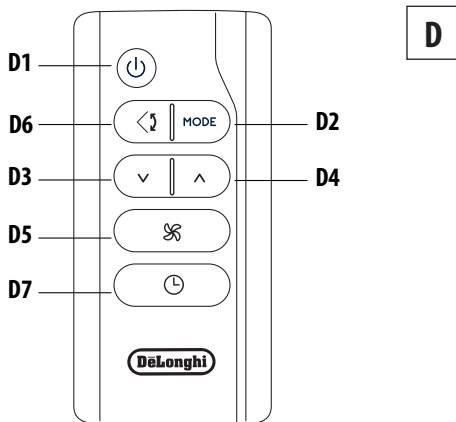
USO DEL CONTROL REMOTO

- Apunte el control remoto hacia el receptor no más de 23 pies (7 metros) de distancia del aparato (fig. 7) sin obstáculos entre el control remoto y el receptor.
- El control remoto debe manipularse con cuidado. No lo deje caer ni lo exponga a la luz directa del sol ni a fuentes de calor.



Por favor observe: El control remoto puede ser almacenado de manera segura en el compartimiento correspondiente (A11).

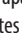
DESCRIPCIÓN DEL CONTROL REMOTO

- D1.** Botón ON/STAND-BY
- D2.** Botón de MODO
- D3.** Botón de disminución
- D4.** Botón de aumento
- D5.** Botón de selección de flujo de aire
- D6.** Botón Swing
- D7.** Botón temporizador



ENCENDER Y APAGAREL/APARATO

- Enchufe en la toma.
- Pulse el botón  para (D1) encender la unidad. Cuando está encendido, el acondicionador de aire comienza a funcionar en el mismo modo que cuando fue apagado.
- Para apagar el aparato, pulse el botón  (D1).

Por favor observe: Nunca apague el aparato quitando el enchufe. Siempre apague pulsando sobre el botón  y espere unos minutos antes de retirar el enchufe. Solo de esta manera el aparato podrá realizar sus controles estándar.

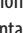
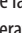
SELECCIÓN DE LOS MODOS DE FUNCIONAMIENTO

Para seleccionar el modo de funcionamiento deseado, pulse repetidamente el botón


MODO (D6) hasta que la función deseada es seleccionada.

Muchos de los comandos disponibles en el control remoto se corresponden con los del panel de control del aparato (C).

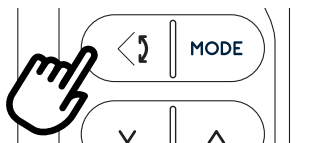
SELECCIONANDO LAS TEMPERATURAS

En modo aire acondicionado, pulse las teclas  (D3) y  (D4) para disminuir/aumentar la temperatura deseada.

SELECCIONANDO EL FLUJO DE AIRE

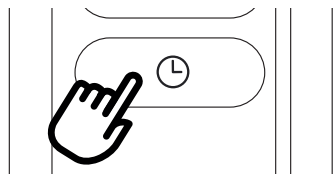
En los modos aire acondicionado y ventilador, pulse el botón  (D5) en el control remoto para aumentar/disminuir el flujo de aire deseado.

FUNCIÓN SWING




El botón swing (D6) activa y desactiva la función swing. Cuando el ventilador interno está en funcionamiento, la función swing distribuye el aire uniformemente en la habitación moviendo la solapa hacia adelante y hacia atrás alternativamente. Si se pulsa de nuevo, la tapa se bloquea en su posición actual. **NOTA:** Si el ventilador interno no está funcionando, la función swing tampoco funcionará. Para evitar dañar los mecanismos internos, la compuerta no debe ser movida manualmente.


AJUSTE DEL TEMPORIZADOR



El temporizador permite el retraso en el encendido o el apagado del aparato. Esta función prevendrá el desperdicio de electricidad mediante la optimización de los periodos de funcionamiento.


Cómo programar el apagado del modo de retraso

- Mientras el aparato está en cualquier modo de funcionamiento, se puede programar el modo de retraso.
- Pulse el botón  temporizador (D7), se enciende el símbolo temporizador (C13) y (C14) horas.
- Pulse los botones \vee (D3) y \wedge (D4) hasta que el número de horas deseado para el apagado aparece en la pantalla.

Unos segundos después de que el temporizador se encuentra ajustado, el ajuste se memorizado y la pantalla muestra el modo de funcionamiento y el símbolo del temporizador permanece encendido. Una vez que haya transcurrido el tiempo establecido, el aire acondicionado se pone en espera. Para cancelar el programa del temporizador, pulse el botón  del temporizador (D7) dos veces. El símbolo del temporizador (C13) se apagará.

Nota: Una vez que el temporizador ha sido activado, presionando la tecla temporizador solo una vez, las horas restantes para apagarse aparecerán.

Cómo programar el inicio del modo de retraso

- Enchufe el aparato y ajuste en modo de espera.
- Pulse el botón  temporizador (D7), se enciende el símbolo temporizador (C13) y (C14) horas.
- Pulse los botones \vee (D3) y \wedge (D4) hasta que el número de horas deseado para el apagado aparece en la pantalla. La puesta en marcha puede ser programada en cualquier momento en las próximas 24 horas.

Cuando haya transcurrido el tiempo establecido, el aparato comenzará a funcionar en el mismo modo de funcionamiento que se había establecido anteriormente.

Para cancelar el programa del temporizador, pulse el botón del temporizador (D7) dos veces.

El símbolo temporizador (C13) se apagará.

Nota: Una vez que el temporizador ha sido activado, presionando la tecla temporizador solo una vez, las horas restantes para encenderse aparecerán.

Nota: este aparato ha sido probado y es conforme a los parámetros para un dispositivo digital de Clase B, de acuerdo con la parte 15 de las Normas FCC. Estos parámetros se establecieron para proporcionar una protección razonable contra las interferencias perjudiciales en una instalación doméstica.

- Este aparato genera, utiliza y puede irradiar energía de radiofrecuencia y, si no se lo instala y utiliza de acuerdo con las instrucciones, podría causar interferencias perjudiciales a las comunicaciones radio. Sin embargo, no se puede garantizar que no se produzca la interferencia en una instalación particular. Si el aparato produce una interferencia perjudicial a la recepción radio o televisión, que puede determinarse apagando y encendiendo el aparato, se recomienda al usuario que corrija la interferencia tomando alguna de las siguientes medidas:
 - Reoriente o reposicione la antena receptora
 - Aumente la distancia entre el aparato y el receptor.
 - Conecte el aparato en un enchufe que no sea aquel donde está conectado el receptor.
 - Consulte la línea directa gratuita o a un técnico experto de radio/TV. Los cambios o modificaciones que no hayan sido expresamente aprobados por la parte responsable de la conformidad del aparato podrían invalidar la autoridad del usuario de utilizar el aparato.
- Este aparato es conforme a la parte 15 de las normativas FCC. Su utilización está sujeta a las dos siguientes condiciones: (1) este aparato no debe causar interferencias perjudiciales, y (2) este aparato deberá aceptar cualquier interferencia que reciba, incluida la interferencia que podría causar un funcionamiento inadecuado.
- Este aparato digital Clase B cumple con la norma canadiense ICES-003.

Responsable FCC:

De Longhi America

Upper Saddle River NJ 07452

201-919-4000

AUTODIAGNÓSTICO

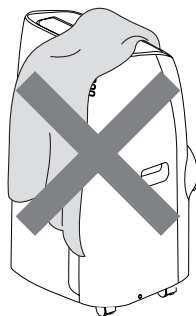
El aparato tiene un sistema de autodiagnóstico para identificar una serie de advertencias / malos funcionamientos. Los mensajes de error se muestran en la pantalla del aparato.

SI ... APARECE,	SI ... APARECE,	SI ... APARECE,	SI ... APARECE,	SI ... APARECE,
LE	HE	LH	PF ▲	HL ▲
"Baja Temperatura" (prevención de heladas)	"Temperatura Alta"	"Humedad baja"	"Error de sonda" (Sonda dañada)	"Alto nivel" (Bandeja interna llena)
¿QUÉ DEBERÍA HACER?	¿QUÉ DEBERÍA HACER?	¿QUÉ DEBERÍA HACER?	¿QUÉ DEBERÍA HACER?	¿QUÉ DEBERÍA HACER?
El aparato está equipado con un dispositivo de protección contra congelación para evitar la formación excesiva de hielo. El aparato se enciende automáticamente cuando se completa el proceso de descongelación.	El aparato está provisto de un dispositivo de sobrecalentamiento que, en caso de condiciones de funcionamiento con temperatura ambiente excesiva durante un período prolongado, hará que el aparato solo ventile. El aparato se restablecerá automáticamente tan pronto como la temperatura se acerque a las condiciones límite de funcionamiento.	Este mensaje solo se mostrará cuando esté en la función Real Feel, indicando que el nivel de humedad de la habitación es extremadamente bajo. Para reanudar el funcionamiento, cambie la unidad a cualquier otro modo que no sea la función Real Feel.	Si esto aparece, contacte nuestro número gratuito de atención al cliente.	Vacíe la bandeja inferior de seguridad siguiendo las instrucciones en el apartado "Funcionamiento de fin de temporada"

CONSEJOS PARA EL USO CORRECTO

Para garantizar resultados óptimos con el aire acondicionado, siga estas recomendaciones:

- Cierre las ventanas y puertas donde es usado el aire acondicionado. Cuando se instala el aire acondicionado de manera semipermanente, debe dejar una puerta ligeramente abierta (como mínimo 1/2 pulgadas - 1 cm) para garantizar una ventilación adecuada.
- No utilice nunca el aparato en habitaciones muy húmedas (lavanderías automáticas, por ejemplo).
- Proteja la sala de exposición directa al sol mediante el cierre parcial de las cortinas y/o persianas para que el aparato funcione de manera mucho más económica.
- No utilice nunca el aparato al aire libre.
- Asegúrese de que no haya fuentes de calor en la habitación.
- Asegúrese de que el aire acondicionado está sobre una superficie nivelada.
- Nunca deje objetos de ningún tipo sobre el aire acondicionado.
- Nunca obstruya la rejilla de entrada o salida de aire (consulte la figura abajo).



No cubra el aparato

LIMPIEZA

Antes de proceder a la limpieza o mantenimiento, apague el aparato usando el botón y a continuación desenchúfelo de la corriente.

LIMPIEZA DE LA CARCASA

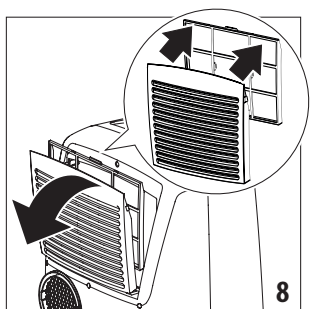
Usted debe limpiar el aparato con un paño ligeramente húmedo y luego secar con un paño seco. Por razones de seguridad, NUNCA lave el aire acondicionado con agua. **¡Atención!** Nunca use

gasolina, alcohol o solventes para limpiar el aparato. Nunca rocíe insecticidas líquidos o similares.

LIMPIEZA DEL FILTRO DE AIRE

Si el filtro está sucio, la circulación de aire podría verse afectada y podría disminuir la eficacia del aparato. Es por lo tanto una buena práctica limpiar el filtro con intervalos regulares. La frecuencia depende de la duración y condiciones de operación. Si la unidad es usada constantemente o sistemáticamente, recomendamos limpiar el filtro una vez a la semana. El filtro está en la rejilla de entrada.

Para limpiar el filtro, remuévalo como se muestra en fig. 8.



Utilice una aspiradora para quitar el polvo recogido en el filtro. Si está muy sucio, sumergir en agua tibia y enjuagar varias veces. El agua nunca debe estar más caliente de 104°F.

Después de lavar el filtro, déjelo secar completamente antes de volver a colocarlo.

El filtro ayuda a capturar el polvo.

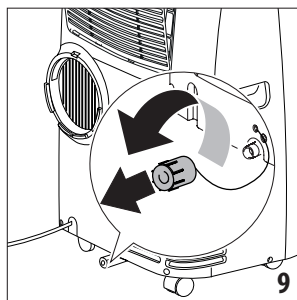
CONTROLES DE INICIO DE TEMPORADA

Asegúrese de que el cable de alimentación y el enchufe no tengan daños y que el sistema de puesta a tierra sea suficiente.

Siga las instrucciones de instalación con precisión.

OPERACIONES DE FIN DE TEMPORADA

Para vaciar todo el agua del circuito, retire la tapa externa desenroscándola a favor de las agujas del reloj y permita que se vacíe el agua en una cubeta (fig. 9).



Cuando el aparato esté vacío, sustituir las tapas.

Limpie el filtro y seque completamente antes de volver a ponerlo.

Para almacenar el aparato al final de temporada, recomendamos cubrirlo con el protector contra el polvo de fin de temporada (B9) y coloque los accesorios en la correspondiente bolsa de accesorios de fin de temporada (B8).

ESPECIFICACIONES TÉCNICAS

Voltaje de alimentación consulte la etiqueta de valor nominal

Máx. potencia absorbida

durante el acondicionamiento de aire "

Refrigerante "

Capacidad de refrigeración "

DESTINADO SÓLO PARA CENTROS DE SERVICIO

EL DIAGRAMA DE CABLEADO ESTÁ UBICADO DENTRO DE LA UNIDAD.

CONDICIONES LÍMITE

Temperatura ambiente

para aire acondicionado 61° ÷ 95°F (16-35 °C)

Humedad máxima relativa 80% RH

Por favor observe: fuera de estas condiciones, la unidad tomará más tiempo o puede no alcanzar la temperatura de enfriamiento que está configurada.

El transporte, llenado, limpieza, recuperación y eliminación de refrigerante deben ser realizados por un centro de servicio técnico designado solamente por el fabricante. El aparato debe ser eliminado por un centro especializado y designado solamente por el fabricante.

¡Atención! PARA EVITAR DAÑOS A LA UNIDAD:

NUNCA TRANSPORTE O GIRE EL APARATO BOCA ABAJO O SOBRE

SU COSTADO. SI ESTO SUCEDE, ESPERE 6 HORAS ANTES DE ENCENDER EL APARATO, SE RECOMIENDA 24 HORAS. Después de que la unidad ha estado sobre un costado, el aceite debe regresar al compresor para asegurar su correcto funcionamiento. Sin permitir a la unidad este tiempo (6-24 horas) la unidad puede funcionar solo por un corto período de tiempo, y luego el compresor se descompone por falta de aceite.

SOLUCIÓN DE PROBLEMAS

PROBLEMA	CAUSA	SOLUCIÓN
El acondicionador de aire no se enciende	No está conectado a la toma de corriente	Enchufar en la toma
	no hay alimentación	espere a que regrese la corriente
	El dispositivo de seguridad interna se ha disparado	llame al número gratuito de atención al cliente
El aire acondicionado funciona por un corto tiempo solamente	Hay dobleces o pliegues en el tubo de escape de aire	Coloque la manguera de aire correctamente, manteniendo lo más corto y libre de curvas como sea posible a fin de evitar cuellos de botella
	Algo impide que se descargue el aire	Comprobar y eliminar cualquier obstáculo que obstruya la descarga de aire
El aire acondicionado funciona, pero no enfría la habitación	Ventanas, puertas y/o cortinas abiertas	Cierre las puertas, ventanas y cortinas, teniendo en cuenta los "CONSEJOS PARA EL USO CORRECTO" que se proporcionan arriba
	Existen fuentes de calor en la habitación (microondas, secador de pelo, etc.	reduzca el impacto de las fuentes de calor configurando fuentes bajas o desconectando las innecesarias
	La manguera de escape de aire se separa del aparato	Ajuste la manguera de escape de aire en el receptáculo en la parte posterior del aparato (fig. 1).
	Filtro obstruido	Limpie o reemplace el filtro como se ha descrito anteriormente
Durante la operación, hay un desagradable olor en la habitación	filtro obstruido o sucio	limpie el filtro como se ha descrito anteriormente (fig. 8)
El aire acondicionado no funciona durante unos tres minutos después de reiniciarlo	Un dispositivo interno de seguridad evita que el dispositivo se reinicie hasta que han transcurrido tres minutos desde la última vez que fue apagado	esperar. Este retraso es parte del funcionamiento normal.
Uno de los siguientes mensajes es mostrado: Lt/ Ht / Lh / PF / HL	El aparato tiene un sistema de autodiagnóstico para identificar un número de averías.	Consulte el capítulo de autodiagnóstico

Register Now 
www.delonghi.com/register



www.delonghi.com

5715113971_04_22