

Important safeguards

- Use this appliance only as described in this instruction manual.
As with any electrical appliance, the instructions aim to cover as many situations as possible. Caution and common sense should be used when operating and installing this air conditioner.
- This appliance has been manufactured to cool and dehumidify domestic environments and must not be used for other purposes.
- It is dangerous to alter or modify the unit's characteristics in any way.
- The appliance must be installed in accordance with the relevant national legislation.
- Should repairs be necessary, contact the nearest authorized Repair Service Center. Unauthorized servicing can be dangerous.
- The appliance is not intended for use by persons (including children) with reduced physical, sensory or mental capabilities, or lack of experience and knowledge, unless they have been given supervision or instruction concerning use of the appliance by a person responsible for their safety. Children should be supervised to ensure that they do not play with the appliance.
- In the case that the power cord becomes damaged, this must be repaired only by specialized personnel authorized by the manufacturer in order to protect against fire.
- Always ensure the appliance is plugged into a grounded 3-prong outlet. If you have any doubts check with a qualified electrician.
- We strongly discourage the use of an extension cord due to potential safety hazards.
- Before cleaning or maintenance operations, always unplug the unit from the outlet.
- Do not pull on or place strain on the power cord when moving the appliance.
- The appliance should not be installed where the atmosphere may contain combustible gases, oil or sulphur, or near heat sources.
- Do not rest hot or heavy objects on the appliance.
- Clean the filters at least once a week.
- Avoid using heaters near the unit.
- The unit should be transported in a vertical position. If this is not possible secure the unit at an angle, do not lie it horizontally.
- Before transporting the unit, drain the unit. After transportation, wait at least 6 hours before switching the unit on.
- The packaging materials can be recycled. You are therefore recommended to place them in the special containers for differentiated waste collection.
- This appliance is fitted with a special safety device. When the compressor switches off, this device prevents it from switching on again for at least 3 minutes.
- **WARNING:** Changes or modifications not expressly approved by the party responsible for compliance could void the user's authority to operate the equipment.

SAVE THESE INSTRUCTIONS THIS PRODUCT IS FOR HOUSEHOLD ONLY

DESCRIPTION

- | | | | |
|----|------------------------------|----|-----------------------------|
| 1 | air outlet grille | 12 | air exhaust hose |
| 2 | control panel | 13 | hose adaptor (2 pieces) |
| 3 | castors | 14 | accessory for wall mounting |
| 4 | handles | 15 | window bracket grille |
| 5 | filter | 16 | window bracket cap |
| 6 | evaporator air intake grille | 17 | window bracket |
| 7 | air exhaust hose housing | 18 | additional window bracket |
| 8 | condenser air intake grille | 19 | 6 screws |
| 9 | power cable | 20 | window outlet |
| 10 | drainage hose | 21 | remote control |
| 11 | wall flange | | |

Preparing for use

ELECTRICAL CONNECTIONS

Before plugging the appliance into the mains socket, check that:

- The outlet's power supply corresponds to the value indicated on the rating label on the back of the appliance;
- The outlet and electrical circuit are adequate for the appliance;
- The outlet is a 3-hole grounded outlet (⚡). If this is not the case, you must choose another outlet.

Failure to follow these important safety instructions absolves the manufacturer of all liability.

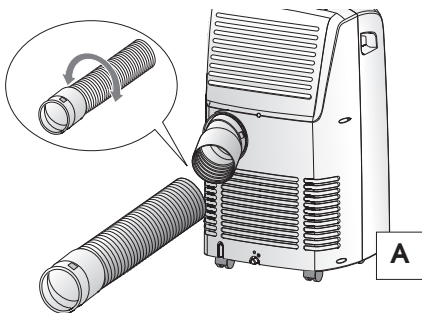
The power cable must be replaced by a qualified professional only.

The instructions below will enable you to prepare your air conditioner for operation as efficiently as possible. **Before use, make sure the air intake and outlet grilles are unobstructed.**

AIR-CONDITIONING WITHOUT INSTALLATION

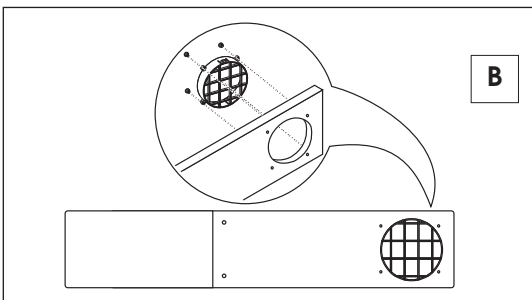
Just a few simple steps and your comfort is ensured with your air conditioner:

- Screw one hose adaptor **13** to the hose's end **12**.
- Fit the other hose adaptor **13** in the air exhaust hose housing **7** at the back of the appliance (see fig. **A**).
- Screw the other end of the hose to the adaptor, that was already fitted to the appliance (see fig. **A**).

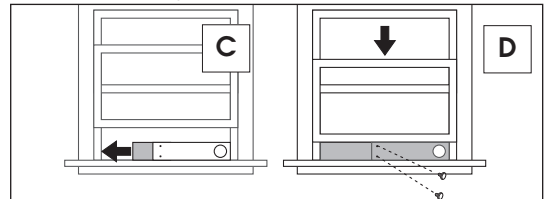


Sash window

- Attach the window bracket grille **15** to the window bracket **17** with the four screws provided **19** (fig. **B**).



- Open the window.
- Place the window bracket **17** in the window, extending it to fit the width of the window (fig. **C**).



- Once the bracket is extended, it can be locked into its width by tightening the last two screws provided.
- Close the window (fig. **D**).
- Place the air conditioner near the window. Insert the assembled exhaust hose **12** into the window bracket grille **17** (fig. **E**). Make sure the air exhaust hose is unobstructed.
- When not used, the window bracket can be closed off with the cap **16** provided.



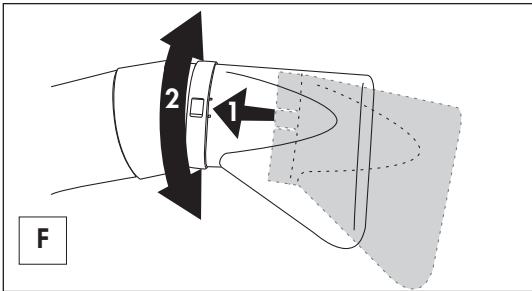
- If you have a very large window, in order to cover your window aperture, use the additional window bracket without holes extending it to the desired dimension, then fix the bracket by using the pins provided. When extracting the window bracket and joining the two pieces pay attention you do not cover the hole or holes (depending on the model).

Keep the air hoses as short and free of curves as possible to avoid constrictions.

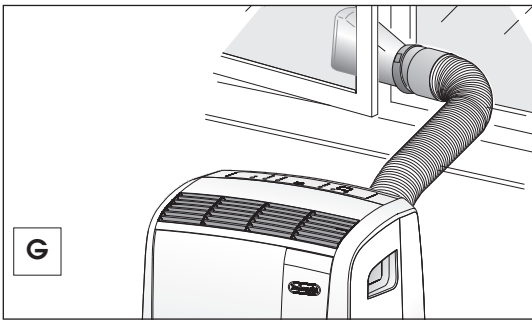
Preparing for use

French window

- Attach the window outlet **20** to the air exhaust hose as shown in fig. **F**.



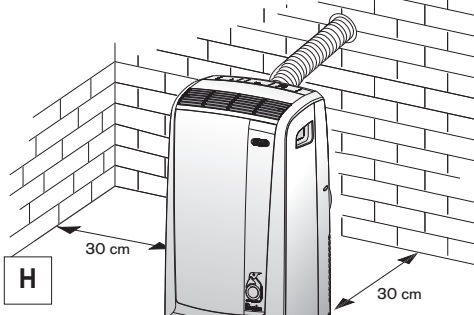
- Open the French window slightly and position the outlet **20** as shown in figure **G**



Keep the air hoses as short and free of curves as possible to avoid constrictions.

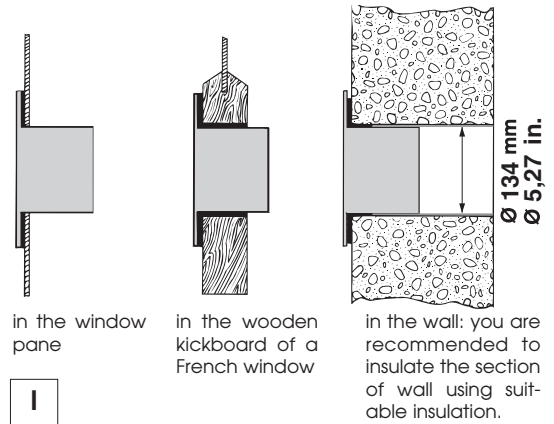
SEMI-PERMANENT INSTALLATION

If required, your appliance can also be installed semi-permanently (Fig. **H**).



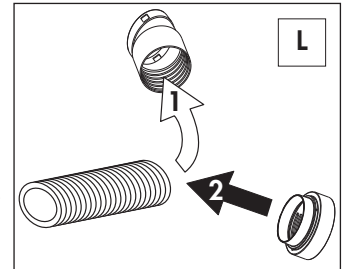
Proceed as follows:

- Drill a hole (ø134mm / 5,27 in.) in an outside wall or through a window pane. Respect the height and dimensions of the hole given in figures **M** and **I**.

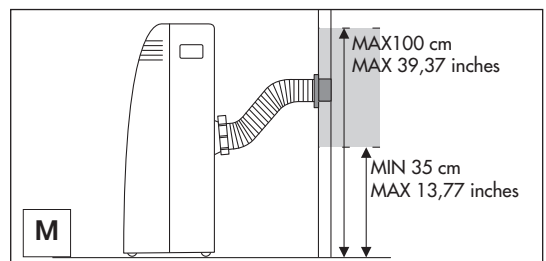


- Fit the wall flange **11** into the hole.
- Screw the hose **12** to the adaptor **13**, that was already fitted to the appliance (fig. **A**).

- Remove the plastic end of the hose **12** by unscrewing it and in its place screw the wall mounting accessory **14** (fig. **L**).



- Fit the end of the hose **12** to the wall flange **11** as shown in fig. **M**.

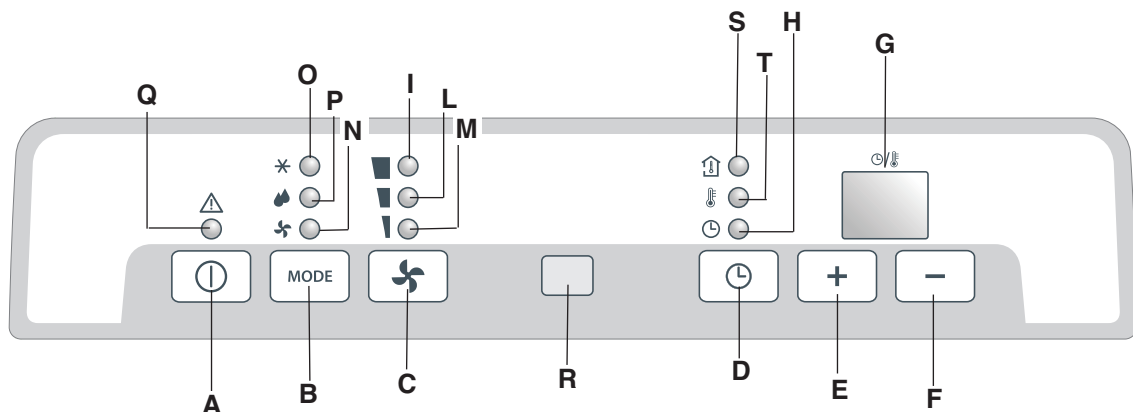


When the hose **12** is not fitted, the hole can be closed with the flange cap **11**.

NOTE: When installing the air conditioner semi-permanently, you should leave a door slightly open (as little as 1 cm) to guarantee correct ventilation.


Control panel

THE CONTROL PANEL



DESCRIPTION OF THE CONTROL PANEL

- A** ON/OFF button
- B** MODE selection button
Air conditioning, dehumidifying, fan.
- C** Fan speed selection button (MAX/MED/MIN)
- D** Timer button
- E** Programmed operation increase temperature/time button
- F** Programmed operation decrease temperature/time button
- G** Display Displays the temperature values set and the programmed operating time
- H** Timer in operation indicator light
- I/L/M** Fan speed lights
- N** Fan mode light
- O** Air-conditioning mode light
- P** Dehumidifying mode light
- Q** Alarm light
- R** Remote control receiver
- S** Light: the inner temperature is shown on the display
- T** Light: the outdoor temperature is shown on the display

✓ Never turn the air conditioner off by unplugging from the outlet. Always press the  button, then wait for a few minutes before unplugging. This allows the appliance to perform a cycle of checks to verify operation.

Operation

TURNING THE APPLIANCE ON

Plug into an outlet.

Two lines appear on the display indicating that the appliance is in stand-by.

Press the **ON/STAND-BY** button (**A**). When turned on, the air conditioner starts operating in the same mode as when it was turned off.

Press the **MODE** button (**B**) until the light corresponding to the desired mode lights up:

Light (**O**): air-conditioning mode

Light (**P**): dehumidifying mode

Light (**N**): fan mode

AIR CONDITIONING MODE

Ideal for hot muggy weather when you need to cool and dehumidify the room.

The display shows the inner temperature: the light (**S**) turns on.

To modify the set temperature, push the (**E**) or (**F**) button to reach the desired temperature. The (**T**) light turns on and the (**S**) light turns off. (To change from °F to °C or viceversa, press for few seconds both button **E** and **F**).

After 15 seconds, the inner temperature is shown on the display.

The (**S**) light turns on.

You can adjust the temperature only in air conditioning mode.

Then select the fan speed by pressing the FAN button (**C**) until the light corresponding to the required fan speed lights up:

MAX: the air conditioner operates at maximum to achieve the target temperature as rapidly as possible

MED: reduces noise levels while maintaining a comfortable temperature

MIN: for silent operation

The most suitable temperature for the room during the summer varies from 75°F to 81°F (24 to 27°C). You are recommended, however, not to set a temperature much below the outdoor temperature

Operation

FAN MODE

Adjust fan speed by pressing the FAN button (**C**) as described for the air-conditioning mode. Remember that the higher the speed, the more air is filtered. If you select "**MIN**" speed, less air is filtered but the appliance is also less noisy.

DEHUMIDIFYING MODE

Ideal for reducing the humidity in a room without lowering or raising the temperature (spring or autumn, damp rooms, rainy spells, etc).

When the dehumidifying mode is selected, the light (**P**) comes on.

At the same time, the "**MIN**" fan speed light (**M**) comes on. In this mode, other speeds cannot be selected.

PROGRAMMING THE TIMER

The timer can be used to delay appliance start up or shut down. This avoids wasting electricity by optimising operating periods.

How to programme delayed start up

- Plug the appliance into a mains socket and press the ON/OFF button (**A**), then select the required operating mode and other settings (temperature, fan speed, etc).
- Press the ON/OFF button (**A**) again to place the appliance in standby mode.
- Press the timer button (**D**). The timer light "**H**" flashes.
- Use the + (**E**) or - (**F**) buttons to set the number of hours delay before the appliance comes on.

The time increases or decreases in steps of one hour.

The indicator light (**H**) flashes until the appliance starts up.

You can set the appliance to come on with a delay of up to 12 hours.

To cancel the timer programme, press the timer button (**D**) again.

Light (**H**) stops flashing.

How to programme delayed shut down

- Delayed shut down can be programmed in any operating mode (air conditioning / fan/ dehumidifying).
- Press the timer button (**D**). The timer light "H" flashes.
- Use the + (**E**) or - (**F**) buttons to set the number of hours delay before the appliance goes off.

The time increases or decreases in steps of one hour.

The light (**H**) flashes until the appliance turns off as programmed.

At the set time, the air conditioner shuts down and remains in standby.

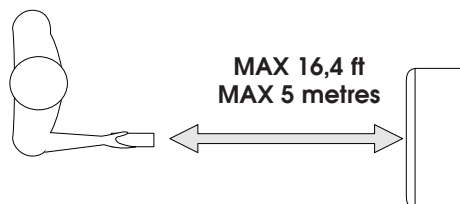
To cancel the timer programme, press the timer button (**D**) again.

Light (**H**) stops flashing.

Using the remote control unit (some models only)

MODELS WITH REMOTE CONTROL

- Point the remote control at the receiver on the air conditioner. The remote control must be no more than 16,4 ft (5 metres) away from the appliance (without obstacles between the remote control and the receiver).
- The remote control must be handled with **extreme care**. Do not drop it or expose it to direct sunlight or sources of heat.

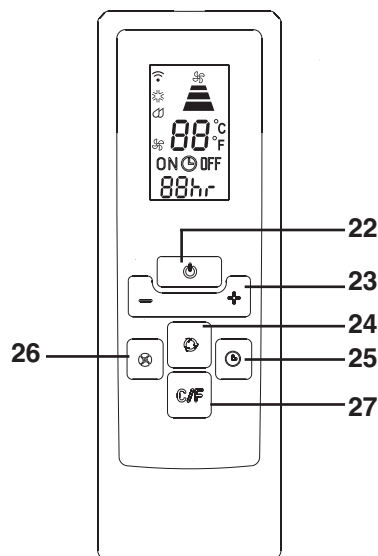


DESCRIPTION OF THE REMOTE CONTROL

- 22) "ON/OFF" button
- 23) Increase /Decrease button for temperature/programmed use
- 24) "MODE" button
- 25) "TIMER" button
- 26) Fan speed selection button (MAX/MED/MIN).
- 27) °F/°C scale button

Inserting or replacing the batteries

- Remove the cover on the rear of the remote control;
- Remove the old batteries, if present.
- Correctly insert two new L03 "AAA" 1,5V batteries (see the instructions inside the battery compartment);
- Replace the cover.



If the remote control unit is replaced or discarded, the batteries must be removed and disposed of in accordance with current legislation as they are harmful to the environment. Do not mix old and new batteries. Do not mix alkaline, standard (carbon-zinc) or rechargeable (nickel-cadmium) batteries. Do not dispose of batteries in fire. Batteries may explode or leak.

TURNING THE APPLIANCE ON

Plug the appliance into the mains.

Press the **ON/OFF** button (22) (when turned on, the air conditioner starts operating in the same mode as when it was turned off).

Press the **MODE** button (24) to select the required mode

COOLING

DEHUMIDIFYING

FAN ONLY

On the control panel, the light corresponding to the selected mode comes on.

For air conditioning/dehumidifying/fan only settings and programming the timer, see page 8-9.

Tips

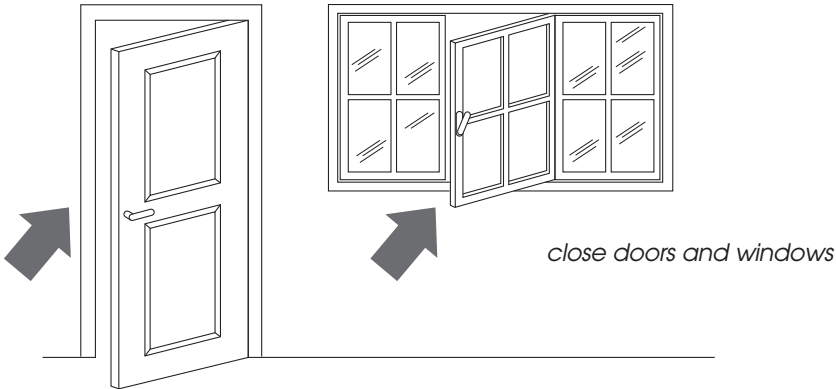
To get the best from your air conditioner, follow these recommendations:

- close the windows and doors in the room to be air conditioned.

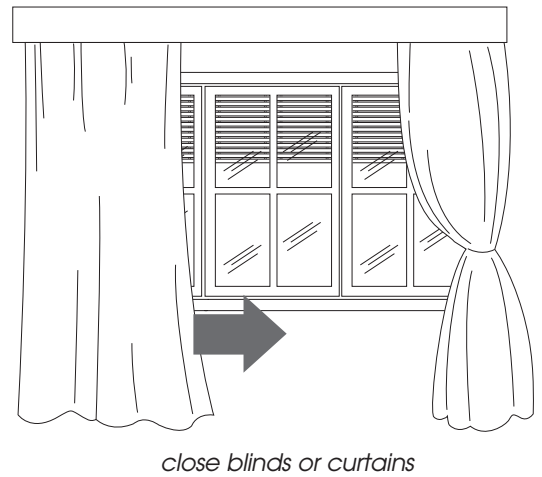
The only exception is when the appliance is installed through a hole in the wall.

In this case, you are recommended to leave a slight draught through a door or window to guarantee correct ventilation.

- Never use the appliance in very damp rooms (laundries for example).
- Never use the appliance outdoors.



- Protect the room from direct exposure to the sun by partially closing curtains and/or blinds to make the appliance much more economical to run;
- Never rest objects of any kind on the air conditioner;
- Never obstruct the air intake **6** or outlet **1** grilles;
- Make sure there are no heat sources in the room.



- Make sure the air conditioner is on a **level** floor.

Cleaning

Before cleaning or maintenance, turn the appliance off by pressing the ON/OFF button (A) or in models with remote control unit, by pressing the ON/OFF button **22**, then always unplug the appliance from the mains socket.

CLEANING THE CABINET

You should clean the appliance with a slightly damp cloth then dry with a dry cloth. For safety reasons, never wash the air conditioner with water.

Precautions

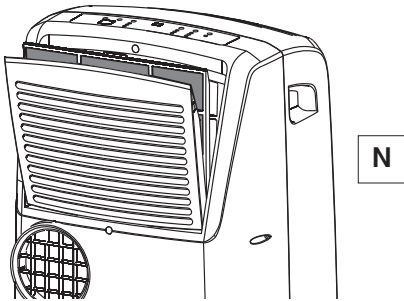
Never use petrol, alcohol or solvents to clean the appliance. Never spray insecticide liquids or similar.

CLEANING THE AIR FILTERS

To keep your air conditioner working efficiently, you should clean the dust filter every week of operation.

The filter is housed in the intake grille.

To clean the filters, remove the filter as shown in figure N.



Use a vacuum cleaner to remove the dust collected on the filter.

If it is very dirty, immerse in warm water and rinse a number of times.

The water should never be hotter than 40°C.

After washing, leave the filter to dry.

Put the filter back in its housing.

START OF SEASON CHECKS

Make sure the power cable and plug are undamaged and the earth system is efficient.

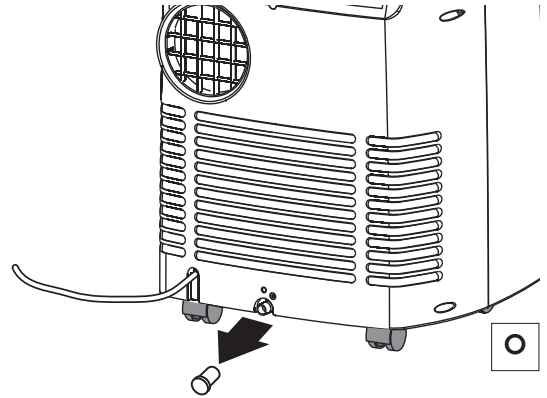
Follow the installation instructions precisely.

END OF SEASON OPERATIONS

To drain all water from the circuit, remove the

cap from the drain hose on the back of the appliance and allow the water to drain out into a basin (figure O). When the appliance is empty, replace the cap.

Clean the filter and dry thoroughly before putting back.




NOTE:

NEVER TRANSPORT OR TURN THE APPLIANCE UPSIDE DOWN OR ON ITS SIDE. IF THIS OCCURS, WAIT 6 HOURS BEFORE TURNING THE APPLIANCE ON, 24 HOURS IS RECOMMENDED. (After the unit has been on its side, oil needs to return to the compressor to ensure proper function. Without allowing the unit this time (6-24 hours) The unit may function for only a short time, and then the compressor will break down from lack of oil.)




Troubleshooting

TROUBLESHOOTING

PROBLEM	CAUSE	REMEDY
The air conditioning unit does not start.	<ul style="list-style-type: none"> No electricity. It is not plugged into the outlet. The safety device of the plug has tripped. 	<ul style="list-style-type: none"> Wait. Plug into the outlet. Contact your service center.
The air conditioning unit works for a short time only.	<ul style="list-style-type: none"> The air exhaust hose has a constriction. The air exhaust hose is blocked. There are tight bends in the air exhaust hose. 	<ul style="list-style-type: none"> Position the exhaust hose correctly. Check there are no obstacles. Obstructing air discharge. Eliminate the tight bends.
The air conditioner works, but does not cool the room.	<ul style="list-style-type: none"> Window open. There are heat sources in the room (lamps, etc.). The exhaust hose is detached. Air filters clogged. the air conditioner is not powerful enough for the conditions or size of the room 	<ul style="list-style-type: none"> close the window eliminate the heat source connect the exhaust hose clean or replace the filter
Particular odour in the room	<ul style="list-style-type: none"> air purifying filters clogged 	<ul style="list-style-type: none"> clean or replace the filters
The air conditioner does not operate for about 3 minutes after turning it on	<ul style="list-style-type: none"> the safety device has tripped 	<ul style="list-style-type: none"> wait for three minutes
The alarm light  comes on	<ul style="list-style-type: none"> the tank inside the appliance is full. 	<ul style="list-style-type: none"> empty the tank (see "End of season operations) on page 12).

SELF-DIAGNOSIS

The appliance has a self diagnosis system to identify a number of malfunctions. Error messages are displayed on the appliance display.

<p>IF...IS DISPLAYED,</p>  <p>(Low Temperature)</p> <p>...IT MEANS: the room temperatura is too low</p>	<p>IF...IS DISPLAYED,</p>  <p>(High Temperature)</p> <p>...IT MEANS: the room temperatura is too high</p>	<p>IF...IS DISPLAYED,</p>  <p>(Probe Failure)</p> <p>...IT MEANS: contact your service center</p>
--	--	---

Technical specifications

TECHNICAL SPECIFICATION

Power supply voltage	see rating label
Max. absorbed power during air conditioning	"
Refrigerant	"
Cooling capacity	"

LIMIT CONDITIONS

Room temperature for air conditioning	21 ÷ 35°C
---------------------------------------	-----------

Transport, filling, cleaning, recovery and disposal of refrigerant should be performed by a technical service centre appointed by the manufacturer only.
The appliance should be disposed of by a specialist centre appointed by the manufacturer only.

NEVER TRANSPORT OR TURN THE APPLIANCE UPSIDE DOWN OR ON ITS SIDE. IF THIS OCCURS, WAIT 6 HOURS BEFORE TURNING THE APPLIANCE ON, 24 HOURS IS RECOMMENDED. (After the unit has been on its side, oil needs to return to the compressor to ensure proper function. Without allowing the unit this time (6-24 hours) The unit may function for only a short time, and then the compressor will break down from lack of oil).

This appliance is equipped with a 3 prong grounded plug. The plug must be connected into an outlet that is properly installed and grounded in the accordance with all local codes and ordinances. Do not modify the plug provided with the appliance. If it will not fit the outlet, have a proper outlet installed by a qualified electrician or relocate the unit to a proper outlet.

If the household electrical supply does not meet the above specifications, or if you are not sure your home has an effective electrical ground, have a qualified electrician or your local electrical utility company check it and correct any problems.

SAFETY PLUG

The appliance is fitted with a safety plug to protect the power cable.

If power is cut off, unplug from the outlet and make sure the power cable is undamaged.

If the cable is damaged, call the service center immediately.

If power cuts off frequently and the power cable is undamaged, contact a qualified electrician.

OPERATION OF THE SAFETY PLUG

If the safety device incorporated in the plug trips and cuts off the power supply, check that the power cable and plug are not damaged.

If the power cable is undamaged, to restore operation press the "RESET" button.

To verify correct operation of the plug, press the "TEST" button periodically and make sure the appliance disconnects. If this is not the case, contact the service center.

To restore operation, press the "RESET" button.

Limited Warranty

GB

De'Longhi is the distributor of Kenwood home appliances.
This warranty applies to all home appliances with De'Longhi or Kenwood brand names.

FOR CONTIGUOUS UNITED STATES ONLY

Limited Warranty

We warrant each De'Longhi AIR CONDITIONER to be free from defects in material and workmanship. From the purchase date, our obligation under this warranty is to provide one (1) year free parts and labor on the entire AIR CONDITIONER, with an additional four (4) years free on any part of the sealed system consisting of the compressor, evaporator, condenser and factory connected refrigerant tubing. Labor and all other parts during the additional four (4) year warranty are to be paid by the owner. All AIR CONDITIONERS in need of repair are to be shipped to an authorized De'Longhi service center at the owner's expense, and De'Longhi will then incur the return shipping costs. After the first five (5) years of ownership, all expenses (all parts, labor and shipping) are to be paid by the owner of the unit. This warranty shall apply only if the AIR CONDITIONER is used in accordance with the factory directions that accompany it, and on an Alternating Current (AC) circuit. This warranty is in lieu of all other warranties and representations, expressed or implied, and all other obligations or liabilities on our part. We do not authorize any other person or company to assume for us any liability in connection with the sale or use of our AIR CONDITIONER. This warranty shall not apply to any AIR CONDITIONER that has been repaired or altered outside our factory nor shall it apply to any AIR CONDITIONER that has been subjected to misuse, negligence or accidents.

If repairs become necessary, see contact information below:

U.S. Residents:

For help with installation, operation, and for all accessories and spare/replacement parts,

Please contact our toll free customer service call center at **1-800-322-3848**

Monday – Friday 8:30am – 5:00pm ET

or log onto our website at www.delonghiusa.com.

CANADA Residents:

Please contact our toll free hotline at **1-888-335-6644** or log onto our website at www.delonghi.com.

Other countries:

Please visit: www.delonghi.com.