

---

# TRD40615T-6A

## ELECTRIC OIL FILLED RADIATOR

Instructions for use. Keep these instructions

Visit [www.delonghi.com](http://www.delonghi.com) for a list of service centers near you.

### ELECTRIC CHARACTERISTICS

120 V~ 60 Hz 1500 W

## RADIADOR ELÉCTRICO DE BAÑO DE ACEITE

Repase y guarde estas instrucciones.

Lea cuidadosamente este instructivo antes de usar su aparato.

Visite [www.delonghi.com](http://www.delonghi.com) para ver la lista de centros de servicios cercanos a usted.

### CARACTERISTICAS ELECTRICAS:

120 V~ 60 Hz 1500 W



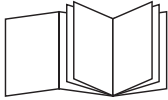
---

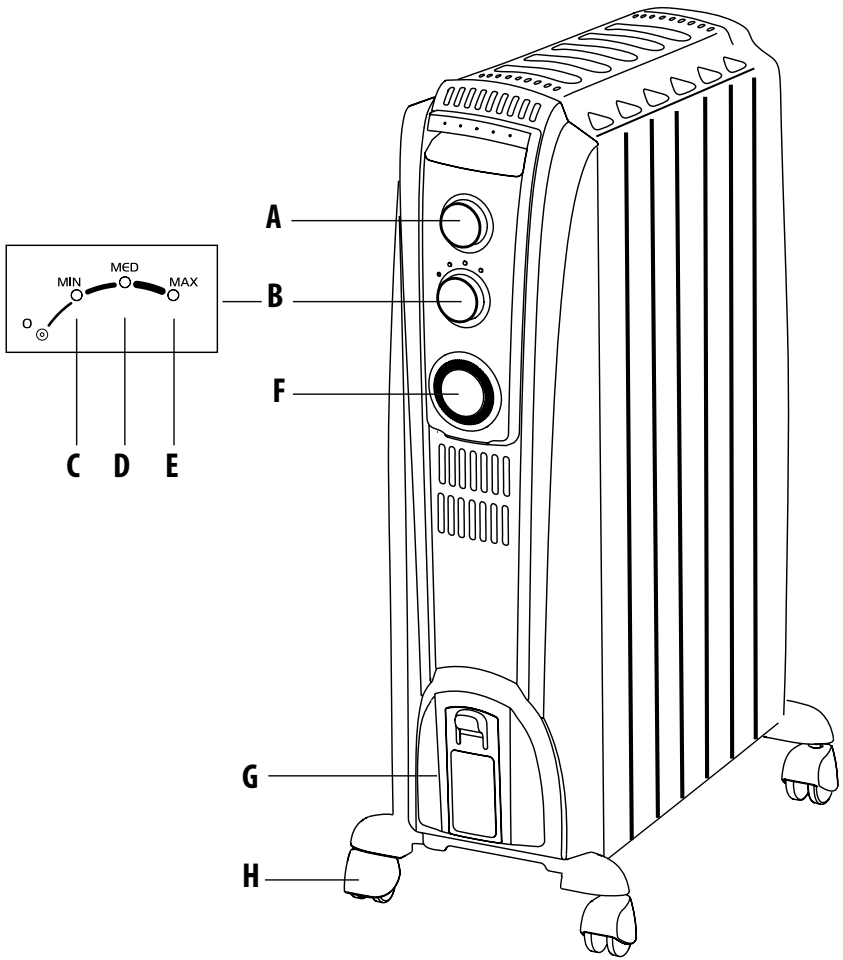
**EN**

page 4

**ES**

pág. 8





# IMPORTANT SAFEGUARDS

When using any electrical appliance, some basic safety precautions should always be observed to reduce the risk of fire, electric shock, and/or injury to persons. Read all instructions carefully before using the appliance. Specifically:



Failure to observe the warning may result in life threatening injury by electric shock.

- Do not operate any appliance with a damaged cord or plug or after the appliance malfunctions, has been dropped or damaged in any manner.

If appliance has leaked any oil, discontinue using the appliance and contact the service centre as indicated in the instruction leaflet. Return appliance to authorized service facility for examination, electrical or mechanical adjustment, or repair.

- This appliance is not intended for use in bathrooms, laundry areas, or similar indoor locations. Never position the appliance where it may fall into a bathtub or come in contact with water.
- Use this appliance only as described in this manual. Any other use not indicated by the manufacturer may cause fire, electric shock, or injury to persons.
- CAUTION: To prevent electric shock, make sure the wide prong of the plug is inserted in the wide slot of the outlet.



Failure to observe the warning could result in injury or damage to the appliance.

- The appliance is not intended for use by persons (including children) with reduced physical, sensory or mental capabilities, or lack of experience and knowledge, unless they have been given supervision or instruction concerning use of the appliance by a person responsible for their safety.

Children should be supervised to ensure that

they do not play with the appliance.

- Extreme caution is necessary when any appliance is used by or near children or invalids and whenever the appliance is left operating and unattended.
- Do not wrap the cord around the appliance immediately after use.
- To prevent current overload and blown fuses, make sure that no other appliance is plugged into the same outlet or into another outlet wired into the same circuit.
- If the power cord is damaged, to reduce the risk of malfunction it must be replaced by the manufacturer, its service agent, or a licensed and qualified professional.
- Do not use this appliance with an extension cord or outlet strip. Connect the appliance directly to a suitable outlet.



Failure to observe the warning could result in burns or scalds.

- This appliance gets very hot when in use. To prevent burns, do not touch hot surfaces with bare skin. Use the handle when moving the appliance. Keep all flammable materials, such as furniture, pillows, bedding, paper, clothing, and curtains at least 3 feet (90 cm) from the front and top of the appliance, also avoid contact with the sides and back.
- Do not run the power cord under carpeting. Do not cover cord with throw rugs, runners, or the like. Keep the cord away from any passageways where it could be tripped over.
- Do not insert or allow foreign objects to get into the air intake or air outlet grille, as this may cause electric shock or fire, or damage the appliance.
- To prevent a possible fire, do not block air intake or air outlet grille in any way. Do not use the appliance on soft surfaces, such as beds, where the openings may become blocked.
- Do not cover the appliance while it is functioning in order to avoid overheating and the risk of fire.
- The internal parts of the appliance can beco-

me very hot or produce sparks during operation. Do not use the appliance in areas where gasoline, paints, or other flammable liquids are used or stored.

- It is normal for appliance's plug and cord to feel warm to the touch. However, an excessively hot or deformed plug or cord is not normal and may be the result of a defective electrical outlet. Defective outlets must be replaced before using the appliance. Plugging the appliance into a worn outlet may result in overheating of the power cord or may cause the risk of fire.
- Do not place the appliance near a bed because objects such as pillows or blankets can fall off the bed and be ignited by the appliance.



**Please note:**

This symbol indicates recommendations and important information for the user.

- If your appliance is equipped with a polyethylene tape used as a carry handle, remove it before connecting appliance to the outlet.
- Always disconnect the plug from the power outlet when the appliance is not in use.
- Do not use the appliance outdoors.
- To completely shut the appliance off, turn the power selector to the "0" position and then unplug the appliance from the outlet.
- Connect to properly polarized outlets only.
- Make sure that the plug is fully inserted into the outlet. Wall outlets may deteriorate with time, so check the plug periodically for signs of overheating or deformation. If the outlet has deteriorated, stop using it and have it repaired.
- Check that neither the appliance nor the power cord have been damaged during shipping.
- Make sure that no styrofoam or other packing materials remain in the appliance.
- Make sure that no pieces of polystyrene or other packaging material have been left between one element of the appliance and

another. It may be necessary to pass over the appliance with a vacuum cleaner.

- The first time the appliance is used, run it at the maximum power for at least two hours. During this time, ventilate the room thoroughly to eliminate the "new" smell released by the appliance. It is completely normal for the appliance to emit "creaking" sounds the first time it is run.
- Extreme caution is necessary whenever the appliance is left operating unattended.
- Do not open the appliance. No user-serviceable parts inside.

## SAVE THESE INSTRUCTIONS

### THIS PRODUCT IS FOR HOUSEHOLD USE ONLY

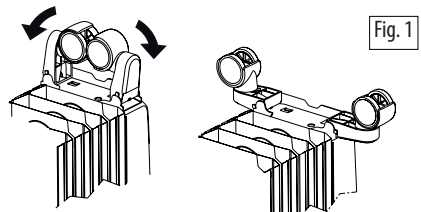
#### DESCRIPTION

- A** Thermostat
- B** Power setting knob
- C/D/E** Power indicator lights (MIN, MED, MAX)
- F** Timer
- G** Cord holder
- H** Wheel

#### USE

##### Fitting the wheels

Turn the appliance upside down on a rug or soft surface to prevent damaging the paint finish. Fully unfold the wheels by turning them outwards (Fig. 1). Turn the appliance back to its upright position.



**Important!** Always operate the appliance in upright position only (wheels on the bottom, controls on top). Any other position could create hazardous situation.

## Location

Place appliance on the floor beneath the coldest window in the room, or any other location. Your appliance will reduce the effect of cold drafts. The appliance should not be placed immediately below a power outlet. Do not use this appliance in rooms with a floor area of less than 43 square feet (4 sq. m.).

## Connection

The appliance should be connected to a properly polarized household outlet in perfect working condition. Keep loose clothing or bedding, furniture and flammable material away from the appliance's wall outlet.

Your product is equipped with a polarized alternating current line plug (a plug having one prong wider than the others). This plug will fit into the power outlet only one way. This is a safety feature. If you are unable to insert the plug fully into the outlet, try reversing the plug. If the plug should still fail to fit, contact your electrician to replace your obsolete outlet. Do not attempt to modify the plug to bypass this safety feature.

## Turning on

Insert the plug into an electrical outlet, turn the thermostat knob clockwise to maximum and turn the unit on as follows using the power selector:

- Turn the power selector to position MIN to select minimum output (the min light will be on).
- Turn the power selector to position MED to select medium output (the min/med light will be on).
- Turn the power selector to position MAX to select maximum output (the lights will be on).

## Adjusting the thermostat

When the room has reached the desired temperature, turn the thermostat knob slowly in a counter-clockwise direction until you hear a "click" and not beyond it.

The thermostat will then adjust the set temperature automatically and keep it constant. If your unit is a three-output version, in intermediate seasons or on days when temperatures are not particularly cold, select minimum output to optimize savings and consumption.

## Use of thermostat

The thermostat operates according to room air temperature, rather than appliance temperature.

Turning it counter-clockwise to smaller numbers would decrease the temperature; clockwise to greater numbers

would increase the temperature.

## Antifreeze function

Turn the thermostat knob to the \* position and the power selector to position MAX. The appliance will maintain a minimum room temperature of approximately 41°F (5°C), this preventing freezing while conserving energy. In models that come with a timer, tabs must be set in the inward position.



**Please note:** To completely shut the appliance off, turn the power selector to the "0" position and then unplug the appliance from the outlet.

## UNITS WITH TIMER

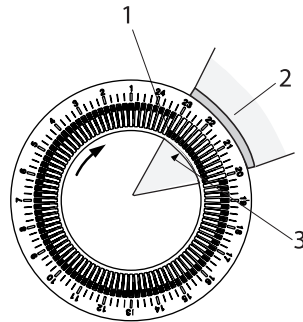
### Clock setting

The program/timer, as with all clocks, must be set to the correct time. If for example the time is 9:30 a.m. (day zone), turn the knob clockwise (following the direction of the arrow) until 9:30 is aligned with the triangular pointer.

### IMPORTANT: DO NOT TURN CLOCK KNOB COUNTER-CLOCKWISE.

The timer is like an electric clock, and will only work when plugged into a power supply. When unplugged, the timer stops and must be later re-set.

### How to use the timer



To program heating, proceed as follows:

- Set the periods of time when you want the appliance to work by pushing the teeth (1) inward. Each tooth (1) corresponds to a period of 15 minutes. This will leave visible sectors which correspond to the periods of operation (2). When set, the appliance will operate automatically each day during the times programmed (important: the appliance must always be plugged into

- the socket).
- To change the programming, move the teeth back into the initial position and set the new periods of operation.
- If you want to make the appliance operate without programming, push all the teeth inward. In this case, to turn the appliance off completely, as well as turning the knob to the "0" position, you must also unplug it from the power outlet to avoid continued operation of the timer.

## **SAFETY DEVICE**

A safety device switches the appliance off in the event of overheating. To restart the appliance, contact the De longhi toll free number.

## **MAINTENANCE AND SERVICE**

Always remove the plug from the power outlet and allow the appliance to cool. Wipe appliance with a soft damp cloth, do not use detergents and abrasives.

Should the appliance not be in use over a certain length of time, wrap the cord around the cord holder and store it in a dry place.

This appliance has been built to give many years of trouble free service. In case of malfunction or doubt, do not try to repair the appliance by yourself: this may result in a fire hazard or electric shock. Contact the De longhi toll free number.

## **TROUBLESHOOTING**

<b>PROBLEM</b>	<b>CAUSE</b>	<b>SOLUTION</b>
The appliance doesn't work	Be sure it is plugged in and that the electrical outlet is working.	Plug into the power outlet.
	Check for any obstruction.	Remove the obstruction and let the appliance cool down. If the appliance doesn't work please contact the De longhi toll free number.
	The temperature may be set too low.	Set the temperature to a higher position.

# INSTRUCCIONES IMPORTANTES

Al utilizar aparatos eléctricos, es oportuno adoptar siempre algunas precauciones fundamentales para evitar el riesgo de incendios, descargas eléctricas y/o lesiones. Lea atentamente todas las instrucciones antes de utilizar el aparato. Específicamente:



## **¡Peligro!**

El incumplimiento de la advertencia puede ser causa de lesiones provocadas por descargas eléctricas.

- No utilice ningún aparato con el cable o el enchufe dañado o si funciona mal en caso de que se haya dejado caer o si se ha dañado de algún modo. Si el aparato pierde aceite, no lo utilice y póngase en contacto con el centro de servicio indicado en el folleto de instrucciones. Lleve el aparato a un centro de servicio autorizado para su revisión, ajuste de las piezas eléctricas o mecánicas o reparación.
- El aparato no está diseñado para su uso en baños, lavaderos o sitios similares en interiores.  
Nunca coloque el aparato donde pudiese caer dentro de una bañera o entrar en contacto con agua.
- Utilice este aparato sólo como se describe en este manual. Cualquier otro uso no recomendado por el fabricante puede ser causa de incendios, descargas eléctricas o lesiones.
- ADVERTENCIA: A fin de evitar descargas eléctricas, asegúrese de que la espiga ancha del enchufe se introduzca en la ranura ancha del tomacorriente.



## **¡Importante!**

El incumplimiento puede ser o es la causa de lesiones o de desperfectos al aparato.

- El aparato no está diseñado para ser utilizado por personas (incluyendo niños) con capacidades físicas, sensoriales o mentales disminuidas o que carezcan de experiencia y conocimiento, a menos que lo hagan bajo

la supervisión o instrucción de una persona responsable de su seguridad. Los niños deben ser supervisados para asegurarse de que no jueguen con el aparato.

- Es necesario tener mucho cuidado cuando cualquier aparato sea utilizado por o se encuentre cerca de niños o inválidos y siempre que el aparato esté funcionando sin vigilancia.
- No enrolle el cable alrededor del aparato inmediatamente después de utilizarlo.
- Para impedir corrientes de sobrecarga y que se fundan los fusibles, asegúrese de que ningún otro aparato esté conectado al mismo tomacorriente o a otro tomacorriente del mismo circuito.
- Si el cable de alimentación está dañado, para reducir el riesgo de mal funcionamiento debe ser reemplazado por el fabricante, su agente de servicio o un profesional calificado y autorizado.
- No utilice este aparato con un cable de extensión o una tira con tomas de tomacorriente. Conecte el aparato directamente a un tomacorriente adecuado.



## **¡Peligro de quemaduras!**

La inobservancia de esta advertencia puede ser causa de quemaduras.

- Este aparato se calienta durante el uso. Para evitar quemaduras no toque las superficies calientes con las manos desnudas. Utilice el asa para mover el aparato. Conserve todo objeto inflamable, tal como mobiliario, almohadas, cobertores, papel, vestidos y cortinas, a una distancia de al menos 3 pies (90 cm) desde la parte frontal y superior del aparato, evitando además el contacto con los costados y la parte posterior.
- No pase el cable de alimentación debajo de las alfombras. No cubra el cable con tapetes, recubrimientos o similares. Extienda el cable lejos de los pasillos donde se pueda tropezar con el mismo.
- No introduzca ni permita introducir cuerpos extraños en las rejillas de admisión o salida de



aire, dado que ello puede producir descargas eléctricas, incendios o daños al aparato.

- Para evitar el riesgo de incendios, no bloquee ninguna rejilla de entrada o salida de aire. No use el aparato sobre superficies suaves, tales como camas, donde las aberturas pudieran obstruirse.
- No cubra nunca el aparato mientras esté funcionando para evitar sobrecalentamientos y riesgos de incendios.
- Las piezas internas del aparato pueden calentarse mucho o producir chispas durante el funcionamiento. No utilice el aparato en lugares donde se utilicen o almacenen gasolina, pinturas u otros líquidos inflamables.
- Es normal que el enchufe y el cable del aparato se sientan calientes al tacto. Sin embargo, no es normal que haya enchufes o cables excesivamente calientes, lo cual puede ser resultado de un tomacorriente eléctrico defectuoso. Los tomacorrientes defectuosos deben reemplazarse antes de utilizar el aparato. Conectar el aparato a un tomacorriente dañado puede sobrecalentar el cable de alimentación o provocar un incendio.
- No coloque el aparato cerca de camas debido a que objetos tales como almohadas o cobertores pueden caerse de la cama e incendiarse por el aparato.



**Nota:**

Este símbolo destaca consejos e información importantes para el usuario.

- Si su aparato tiene una cinta de polietileno que se utiliza como asa para moverlo, retírela antes de conectar el aparato a un tomacorriente.
- Desconecte siempre el enchufe del tomacorriente cuando no utilice el aparato.
- No utilice el aparato al aire libre.
- Para apagar totalmente el aparato, gire el selector de potencia a la posición "0" y desenchufe después el aparato de la corriente.
- Conecte el aparato solamente en

tomacorrientes debidamente polarizados.

- Asegúrese de que el enchufe esté introducido totalmente en el tomacorriente. Los tomacorrientes de pared pueden deteriorarse con el tiempo, así que verifique periódicamente que el enchufe no presente señales de sobrecalentamiento o deformación. Si el tomacorriente está deteriorado, deje de usarlo y mándelo reparar.
- Revise que ni el aparato ni el cable de alimentación se hayan dañado durante el transporte.
- Asegúrese de que no haya espuma de estireno u otros materiales de empaque remanentes dentro del aparato.
- Asegúrese de que no haya piezas de poliestireno u otro material de empaque remanente(s) entre los elementos del aparato. Puede ser necesario pasar el aparato con una aspiradora.
- La primera vez que utilice el aparato, hágalo funcionar a su máxima potencia durante al menos dos horas. Durante este tiempo, ventile bien la habitación a fin de eliminar el olor "a nuevo" que desprende el aparato. Es del todo normal que el aparato emita "crujidos" la primera vez que se utiliza.
- Es necesario tener mucho cuidado cuando el aparato está funcionando sin vigilancia.
- No abra el aparato. No intente reparar las piezas internas.

## GUARDE ESTAS INSTRUCCIONES

### ÚNICAMENTE PARA USO DOMÉSTICO

#### DESCRIPCIÓN

- A** Termostato
- B** Selector de potencia
- C/D/E** Indicador luminoso de potencia (MIN, MED, MAX)
- F** Temporizador
- G** Soporte de cable
- H** Rueda

## USO

### Montaje de los pies

Voltee el aparato, apoyándolo sobre una alfombra o superficie suave para no arruinar la pintura.

Gire hacia afuera los soportes de las ruedas hasta el final de la carrera (fig. 1). Lleve de regreso el aparato a su posición vertical.

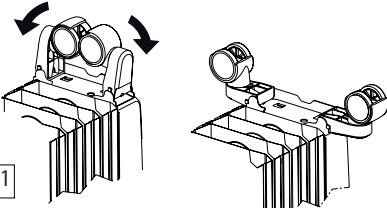


Fig. 1



**¡Importante!** Operar sólo en posición vertical (las ruedas abajo, los controles arriba).

### Posición

Ponga el aparato en el piso junto a la ventana más fría del cuarto o donde usted guste. Su aparato reducirá el efecto de corrientes de aire frío.

El aparato no debe estar colocado inmediatamente debajo de un tomacorriente. No utilice este aparato en habitaciones que tengan una superficie menor de 4 m<sup>2</sup> (43 square feet).

### Conexión

El aparato debe estar conectado a un tomacorriente polarizado que funcione perfectamente. Mantenga las telas o ropas de cama, muebles y materiales inflamables a distancia del tomacorriente donde el aparato esté enchufado.

Su producto está equipado con un conector polarizado para corriente alterna (un enchufe que tiene una espiga más ancha que la otra). Este enchufe podrá introducirse en el tomacorriente solo en una posición.

Esta es una medida de seguridad. Si no puede introducir el enchufe hasta el fondo, intente invirtiendo el enchufe. Si aún no puede introducir el enchufe correctamente, póngase en contacto con un electricista para reemplazar el enchufe obsoleto. No intente modificar el enchufe para eludir esta medida de seguridad.

### Encendido

Enchufe el aparato al tomacorriente, gire la perilla del termostato hasta la posición de máximo y encienda la unidad como se indica a continuación utilizando el selector de potencia:

- Gire el selector de potencia hasta la posición MÍN correspondiente a la potencia mínima (se encenderá el indicador luminoso de mín.).
- Gire el selector de potencia hasta la posición MED correspondiente a la potencia intermedia (se encenderá el indicador luminoso de mín/med).
- Gire el selector de potencia hasta la posición MÁX correspondiente a la potencia máxima (se encenderán ambos indicadores luminosos).

### Ajuste del termostato

Cuando la temperatura ambiente sea la elegida, gire lentamente el mando del termostato en el sentido contrario al de las agujas del reloj hasta oír un "clic", no supere esta posición. El termostato ajustará después automáticamente la temperatura establecida y la mantendrá constante.

Si su unidad es un modelo de tres potencias, en las estaciones intermedias o en días no particularmente fríos, podrá seleccionar la potencia mínima consiguiendo ahorros adicionales en el consumo.

### Uso del termostato

El termostato funciona según la temperatura de la habitación y no según la temperatura del radiador. Hacia la derecha - número más bajo, temperatura más baja. Hacia la izquierda - número más alto, temperatura más alta.

### Función de anticongelación

Gire el disco del termostato a la posición \* y el selector de potencia a la posición MÁX. El aparato mantendrá una temperatura ambiente mínima de 41°F (5°C), impidiendo así la congelación con un consumo mínimo de energía.

En los modelos equipados con temporizador, empuje las pestañas hacia adentro.



**Nota:** Para apagar totalmente el aparato, gire el selector de potencia a la posición "0" y desenchufe después el aparato de la corriente.

## UNIDADES CON TEMPORIZADOR

### Ajuste del reloj

El programador/temporizador, al igual que todos los relojes, debe ajustarse a la hora exacta.

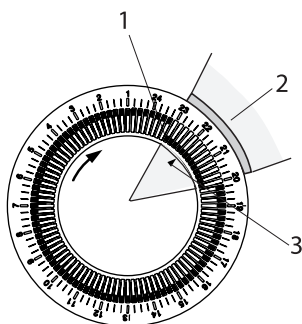
Suponiendo que son las 9:30 a.m. (día), gire el disco hacia la derecha (siga la dirección de la flecha) hasta hacer coincidir el número 9:30 con el indicador triangular de referencia.

**IMPORTANTE:** IMPORTANTE: NO GIRE EL DISCO DE RELOJ HACIA LA IZQUIERDA.

El temporizador es un reloj eléctrico y funciona sólo mientras el enchufe esté conectado a la fuente de alimentación. Cuando se desenchufa el aparato, el temporizador se detiene y debe reajustarse después.

para apagar totalmente el aparato, además de girar la perilla a la posición de apagado "0", debe desenchufarlo también de la corriente para evitar el funcionamiento inútil del programador.

### Cómo utilizar el temporizador



Para programar el calentamiento, efectúe las siguientes operaciones:

- Programe los períodos de tiempo de funcionamiento del aparato, empujando los dientes (1) hacia adentro. Cada diente (1) corresponde a un período de 15 minutos. Podrá ver entonces los sectores que corresponden a los períodos de funcionamiento (2). Cuando programe el aparato, éste funcionará automáticamente todos los días en el horario programado (importante: el aparato debe permanecer siempre enchufado a la corriente).
- Para modificar la programación, sólo debe colocar los dientes en la posición original y programar los nuevos períodos de funcionamiento
- Si desea que el aparato funcione sin programarlo, empuje todos los dientes hacia adentro. En este caso,

### DISPOSITIVO DE SEGURIDAD

Un dispositivo de seguridad apaga el radiador en caso de recalentamiento. Para encenderlo de nuevo, contacte el número de teléfono gratuito Delonghi.

### MANTENIMIENTO Y SERVICIO

Desconecte el cordón eléctrico y permita que se enfríe el radiador. Limpie el radiador con un trapo suave y húmedo, no use detergentes ni cosas que lo puedan rayar. Si el radiador no se usa por un período de tiempo manténgalo en un lugar seco.

Este aparato se ha fabricado para brindar muchos años de servicio sin problemas. En caso de mal funcionamiento ó de duda, no intente arreglar (reparar) el radiador por sí mismo. Contacte el número de teléfono gratuito Delonghi.

### RESOLUCIÓN DE PROBLEMAS

PROBLEMA	CAUSA	SOLUCIÓN
El aparato no funciona	Asegúrese de que está enchufado y de que el tomacorriente está funcionando.	Enchufe al tomacorriente.
	Revise si hay alguna obstrucción.	Retire la obstrucción y deje enfriar el aparato. Si el aparato no funciona, por favor contacte el número de teléfono gratuito Delonghi.
	La temperatura pudo programarse demasiado baja.	Programe la temperatura en un nivel más alto.

