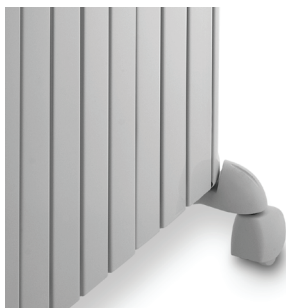




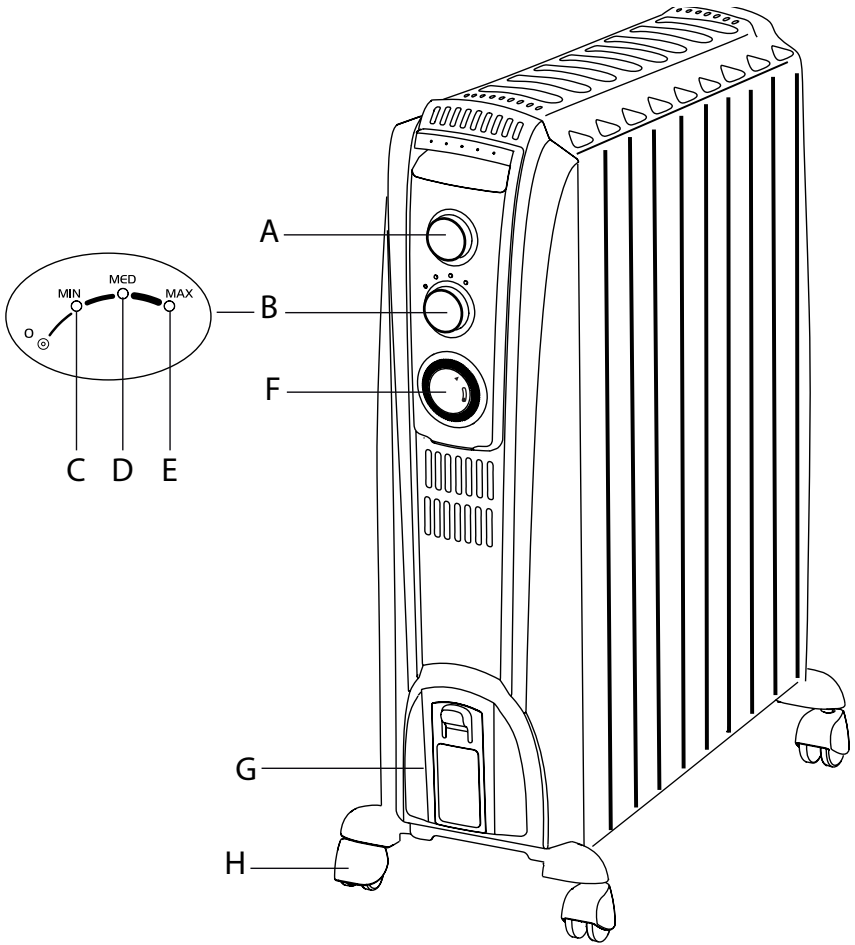
De'Longhi 產品
via Seitz, 47
31100 Treviso Italia

使用說明書
Instructions for use

DRAGON 4 充油式電暖爐
DRAGON 4 OIL FILLED RADIATOR



TRD4 0820T - TRD4 0615T - TRD4 1025T



使用說明

在使用本機前，請先仔細閱讀本說明書。不遵守這些指示可損壞本機及導致人身傷害。製造商對於不遵守使用說明所引致的損害並不會承擔責任。

使用說明中出現的符號

以下的符號均代表不同重要的警告。

這些警告極為重要，必須認真留意。

不遵守警告可能導致電擊、嚴重損傷、燙傷、着火或損壞本機。



危險!

不遵守警告可能因電擊導致危及生命的損傷。



重要!

沒有遵守警告可能會導致損傷或損毀本機。



燙傷危險!!

不遵守警告有可能導致火或燙傷。



請注意：

這符號是對使用者的建議或重要訊息。

安全使用的基本建議

親愛的客戶：本機的插頭在使用期間會產生微溫，這是極為正常的情況。我們雖以一貫最嚴謹的規格設計本機，畢竟此產品為大功率輸出的電暖爐，因此請確保牆壁插孔的狀況良好，並且正確地連接電插頭，以免任何意外的過熱。若長時間使用，建議定期檢查插頭與插孔。若有任何懷疑請諮詢合資格的電工。

安全警告



危險!

由於本機需以電力運作，所以並不能排除電擊的可能性。

因此，敬請遵守以下的安全建議：

- 為避免電線過熱，本機絕對不可以使用拖板。
- 為排除所有風險，若電源電線受損，必須由生產商或獲授權的服務中心更換。請參照附上的保用證與客戶服務部聯絡。
- 切勿在浴室或浴缸、水槽、花灑與泳池等附近使用本機。



重要!

除非在監護人的安全監督或指導下，並知悉及的危險，本機並不適宜讓兒童、身體、感官或精神缺陷或者缺乏相關經驗和知識的人士操作。必須監督兒童，確保他們不會把玩本機。

- 暖爐必須放置於距離傢俱或其他物件至少50厘米外的範圍。
- 切勿在面積少於4平方米的房間內使用本機。
- 切勿將任何物品放於本機上(如烘乾衣物)。
- 為避免不當重設過熱保險裝置導致危險情況發生，絕不可將本機接上計時器之類的外部開關裝置，或連接上經常會開啟關閉的電路設備。



燙傷危險!!

- 請勿將電源線放置在發熱物件之上。



警告：為免過熱，切勿以任何物件覆蓋正在運作的本機之上。



請注意：

- 本機不可放在固定式插座的正下方。
- 保持電暖爐直立。
- 初次使用時，請以最大供出率運作至少兩小時。
- 首次使用時本機發出輾軋聲為正常情況。

- 本機內載有精確的油量。維修時，必須由生產商或獲授權的技術支援中心才打開機身。遇到漏油的情況，請參照附上的保用證與客戶服務部聯絡。
- 如同任何電器，操作說明已盡量包括不同情況下的指示；不過在操作本機時，尤其是當附近有年幼兒童的情況下，應謹慎和應用合理的常識操作本機。

符合預期用途的使用方法

請依照本說明書的指示使用本產品，任何不依照原來設計目的之使用均被視作不當。本機不適用於商業用途。一切因不當使用產品所造成之損失，本公司一概不會負責。本機只是家用電器，並不適合用於以下用途：

- 任何商店、辦公室或其他工作環境內的員工廚房；
- 農莊；
- 由客人於酒店、汽車旅館、其他居住環境使用；
- 住宿加早餐型旅館。

以上使用形式將令生產商的保用失效。

棄置本機



根據歐洲指令2002/96/EC的規定，本機不能與一般家居垃圾一同處理，而是應當送到授權的垃圾分類和回收中心進行處理。

簡介

感謝您購買 TRD 充油式電暖爐。希望您享受這全新的家用電器。敬請使用數分鐘閱讀此說明書，以免發生任何危險及造成對本機的損毀。

一般說明

(參照第二頁的產品結構圖)。

以下詞語將會在往後說明中重複出現

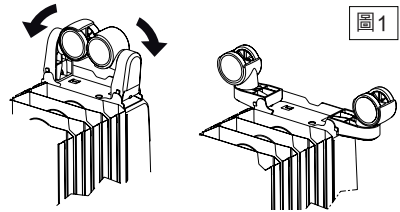
- A 恆溫器
- B 電源調節器
- C/D/E 電源指示燈 (MIN、MED、MAX)

- F 計時器
- G 電源線架
- H 滾輪

使用說明

安裝滾輪

將暖爐上下倒轉；為免損害機身油漆，請放在地毯或柔軟的表面上。將滾輪向外完全打開(圖1)。將暖爐翻至原本的直立狀態。



警告

本機運作時必須保持直立狀態(滾輪面向在地下，控制器在上方)。其他的放置方法均有可能導致危險情況。

位置

本機不可放在固定式插座的正下方。切勿在面積少於4平方米(43平方英尺)的房間內使用。

電源連接

- 將插頭連接到主電源前，確保電源電壓與本機所標示的電壓相同，以及插座和電線能付暖爐所需之負荷。
- 亦請檢查保險絲的容量。暖爐只可接駁付有地線連接的插座。
- 本機符合2004/108/ec規定的電磁兼容性。請將寬鬆衣服、寢具、傢俱與易燃物料放置遠離於本機所連接的牆身插座。

操作與使用

- 將插頭連接到電源插座，把恆溫器調到最大，然後扭動電源調節器把本機啟動；
- 將電源調節器調到“MIN”的位置以選擇最弱的輸出(“MIN”的指示燈會亮起)。

使用計時器型號

- 將電源調節器調到“MED”的位置以選擇中等的輸出（“MED”的指示燈會亮起）。
- 將電源調節器調到“MAX”的位置以選擇最強的輸出（“MAX”的指示燈會亮起）。

調節恆溫器

當室內達到所需的溫度時，以逆時針方向徐徐扭動恆溫器，直到聽到鍵音便停止。恆溫器會以當時溫度自動作調節，保持房間溫度不變。如果您所購買的是三段輸出型號，在春秋的季節或是溫和的日子，可以改用最低輸出，進一步節約能源。

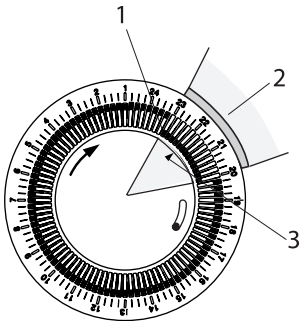
防霜保護功能

將恆溫器調節到✱的位置，然後把電源調節器轉到“MAX”；本機會維持大約5度的最低室溫，在節約能源的同時防止結冰。擁有計時功能的型號須要將計時器調整向內的位置。

提示

若要完全關閉暖爐，先將電源調節器調節到的“0”的位置，然後將電源插頭拔起。

使用備有計時器型號 如何使用計時器



若要預定暖氣啟動時間，請依照以下指示：

- 時間請參照您個人的手錶或時鐘。舉例，若是晚上10時的話，首先以順時針方向將時間碟轉動，直至刻度指示▲(3)指向時間碟

上的22(晚上10)數字。然後按您希望使用的時間長度，將(1)上的時間按鈕推向內。

每一個時間按鈕(1)代表15分鐘的時間。根據按下按鈕，會呈現相對將會使用的時間(2)。設置後，暖爐每天會按照以設定的程序自動啟動(重要：暖爐必須一直連接著電源)。

- 若要更改設定時間，請將時間按鈕推回初始位置，並按下欲啟動的時間鈕。
- 若要完全關閉暖爐，除了將計時器轉到關閉的位置之外，為避免時間器上的預校時間繼續運作，必須將插頭從電源拔掉。

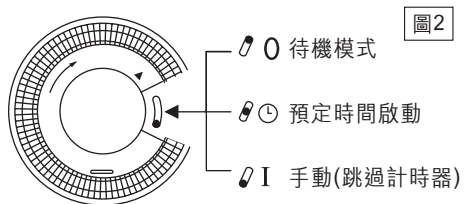
重要：不要以逆時針方向轉動計時器

本機配備的計時器就像電子時鐘一樣，只有連接電源時才會運作。若拔掉電源，計時器的預定時間程序就會停止運作，必須稍後重新設置。

跳過計時器程序

若希望跳過預定計時器程序，請將計時器上的開關轉到 I (圖2) 手動(跳過計時器)的位置。希望重回預定時間程序，請將計時器上的開關轉到中間位置⌚(圖2)。

注意：若計時器上的開關被轉到 0 的位置(圖2)，暖爐正處於待機模式，並不會運作。



安全裝置

本機設有安全裝置，在過熱的情況下會自動關閉。如要重新啟動，請參照附上的保用證與客戶服務部聯絡。

保養

請從插座拔除電源，待暖爐冷卻。

可使用柔軟濕布抹淨暖爐；不可以使用清潔劑或磨蝕性清潔粉。若有較長時間不會使用暖爐，請在電源線架上盤起電源線，並將本機放到乾爽的位置。本機以耐用為原則製造，能够在無故障的情況運作多年。如果遇到故障或疑問，切勿嘗試自行修理，這樣會增加着火與電擊的可能性。請參照附上的保用證取得客戶服務及支援的詳情。

疑難排解

問題	原因	解決方法
產品沒有啟動。	<ul style="list-style-type: none">- 檢查插頭已接駁到電源，與及插座是否正常運作中。- 檢查是否被阻塞。- 設定的溫度太低。	<ul style="list-style-type: none">- 插入插頭。- 清除阻礙物並給予時間冷卻。若本機未能如常運作，請與客戶服務部聯絡。- 將室溫設定到較高的溫度。

使用本機前，請確保產品上的所指示的電壓與您的住所互相符合。如對家中電壓有任何懷疑，請與您的電力供應商聯絡。

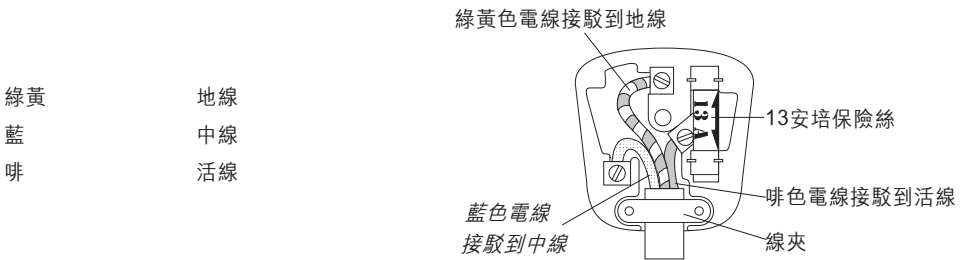
本機的電源軟線已連接上B.S. 1363規格的插頭並配合了13安培的保險絲。

如果它與您的電插孔不相配，應該按照以下的程序切除並更換合適的插頭。


注意：被切除的插頭不可以使用在其他電器上，應該正確地棄置，防止兒童發現並將其插入插孔，構成明顯的危險後果。

注意：建議揀選品質優良的更換插頭，並選用備有開關的插座，當不使用本機時可以切斷插座的電源。

重要：主電源的電線以不同顏色區分，標示如下：



由於主電源裡的電線未必與您的電插標示接頭顏色相同，請參考如下指示：

- 綠黃色電線必須接駁到印有英文字母 E 或是地線符號 ，又或是綠色 / 綠黃色的接頭。
- 藍色電線必須接駁到印有英文字母 N 或黑色的接頭。
- 啡色電線必須接駁到印有英文字母 L 或紅色的接頭。

在接駁電插時，請確保各條電線均牢固地接上在每個終端裡。記緊必須將線夾收緊。如果您的插座只有兩個插孔或是抱有懷疑，請諮詢合資格的電工。

若主電源線需要更換，此程序必須由合資格的電工進行，並須替換同樣尺寸的電源軟線。

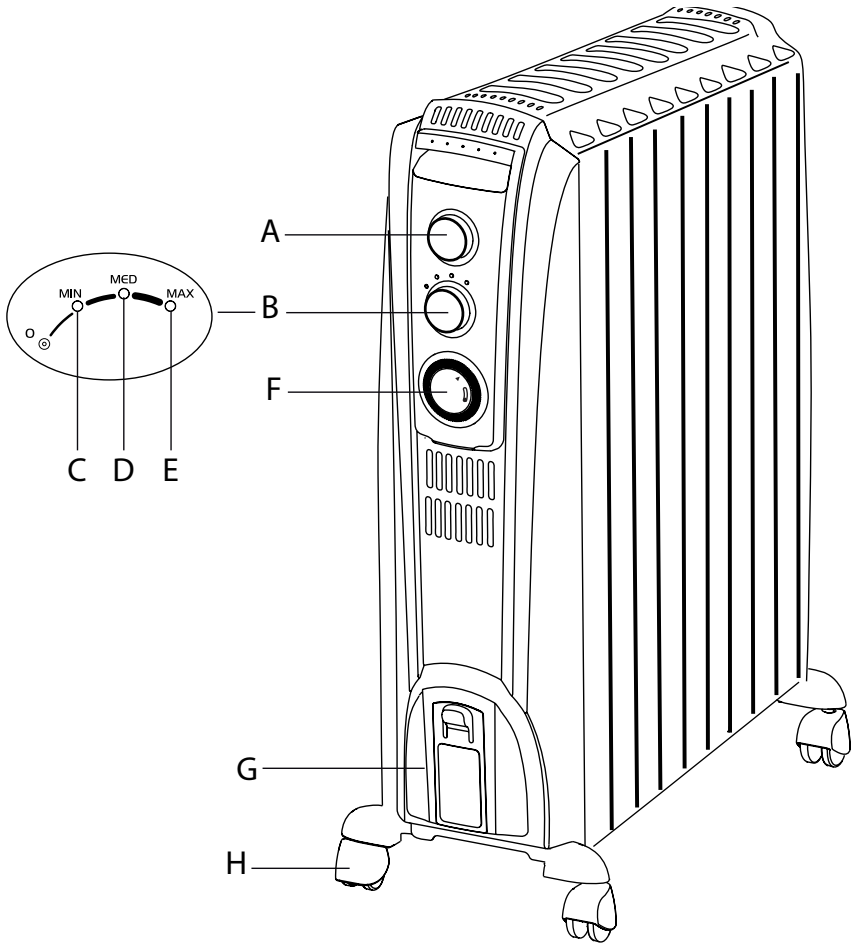
更換插頭內保險絲後，一定要重新裝上保險絲蓋。如果遺失了保險絲蓋，在取得替代品前絕不可以使用此插頭。保險絲蓋的顏色可見於電插頭底部，選購代替用的保險絲護蓋時，請記緊申明正確的顏色。

如需更換13安培保險絲，必須符合ASTA認可的 B.S.1363規格。

本機的無線電干預抑制符合EN 55014規範。

警告 - 本機必須連接地線。

Description of Appliance



INSTRUCTIONS FOR USE

Read these instructions carefully before using the appliance. Failure to comply with these instructions can lead to injury to persons and damage to the machine.

The manufacturer is not liable for damage deriving from the failure to comply with the user instructions.

Symbols used in these instructions

Important warnings are identified by the symbols below.

It is important to respect the warnings.

Failure to respect the warnings could lead to electric shock, serious injury, burns, fire or damage to the appliance.



Danger!

Failure to observe the warning may result in life threatening injury by electric shock.



Important!

Failure to observe the warning could result in injury or damage to the appliance.



Danger of burns!!

Failure to observe the warning could result in burns or scalds.



Please note:

This symbol indicates recommendations and important information for the user.

Fundamental recommendations regarding safety

Dear Customer – The plug on this appliance will get ‘warm’ during use, this is perfectly normal. This product is A HIGH POWER HEATING APPLIANCE designed to our usual high standards but please make sure your wall sockets are in good condition and the plug is inserted correctly to avoid any accidental overheating. We suggest that you check the plug AND THE SOCKET regularly if the heater is in prolonged use, if you are in any doubt please consult an electrician.

SAFETY WARNINGS



Danger!

As the appliance operates using electricity, electric shocks can not be excluded.

Therefore, follow the safety recommendations given:

- To avoid risk of cable overheating, extension leads must not be used in powering this appliance.
- If the power cable is damaged, it must be replaced by the manufacturer or an authorised service centre in order to eliminate all risk. Please contact Customer Experience, see enclosed guarantee.
- Do not use the heater in a bathroom or in the vicinity of bathtubs, washbasins, showers or swimming pools.



Important!

The appliance is not intended for use by persons (including children) with reduced physical, sensory or mental capabilities, or lack of experience and knowledge, unless they have been given supervision or instruction concerning use of the appliance by a person responsible for their safety. Children should be supervised to ensure that they do not play with the appliance.

- The heater must be positioned at least 50cm from furniture or other objects.
- Do not use this appliance in rooms measuring less than 4m².
- Do not place items over the radiator (such as to dry washing).
- In order to avoid a hazard due to inadvertent resetting of the thermal cutout, this appliance must not be supplied through an external switching device such as a timer, or connected to a circuit that is regularly switched on and off by the utility.



Danger of burns!!

- Do not rest the power cable on hot elements.



WARNING: In order to avoid overheating, never under any circumstances cover the appliances during operation, as this would lead to dangerous overheating.



Please note:

- The appliance must not be placed immediately under a fixed power socket.
- Always use the radiator in the vertical position.
- When you turn the appliance on for the first time, operate it at maximum for at least two hours.
- It is normal for the appliance to make "creaking" noises when first turned on.

- This appliance is filled with a precise quantity of oil and repairs requiring it to be opened must be carried out by the manufacturer or an authorised technical assistance centre only. In the event of oil leaks, please contact Customer Experience, see enclosed guarantee.
- As with any electrical appliance, whilst the instructions aim to cover as many eventualities as possible, caution and common sense should be applied when operating your appliance, particularly in the vicinity of young children.

Use in compliance with intended use

Use this heater only as described in this manual. All other use is considered improper. This appliance is not suitable for commercial use. The manufacturer is not liable for damage deriving from improper use of the appliance. This is a household appliance only. It is not intended to be used in:

- staff kitchen areas in shops, offices and other working environments;
- farm houses;
- by clients in hotels, motels and other residential type environments;
- bed and breakfast type environments.

Use in this manner will invalidate the manufacturers warranty.

Disposing of the appliance



The appliance must not be disposed of with household waste, but taken to an authorised waste separation and recycling centre.

Introduction

Thank you for choosing the TRD Oil Filled Radiator. We hope you enjoy using your new appliance. Take a few minutes to read these instructions. This will avoid all risks and damage to the appliance.

DESCRIPTION

(see figure on pag. 2).

The terminology below will be used repeatedly in the following pages.

- A** Thermostat
- B** Power selector
- C/D/E** Power indicator lights (MIN, MED, MAX)
- F** Timer

G Cord holder

H Wheel

USE

Fitting the wheels

Turn the radiator upside down on a rug or soft surface to prevent damaging the paint finish. Fully unfold the wheels by turning them outwards (Fig. 1). Turn the radiator back to its upright position.

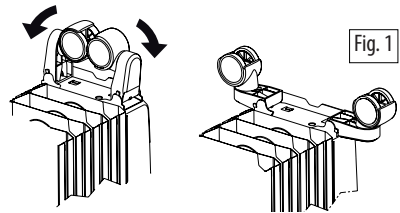


Fig. 1

Caution

Always operate the heater in upright position only (wheels on the bottom, controls on top).

Any other position could create a hazardous situation.

Location

The heater should not be placed immediately below a power outlet. Do not use this radiator in rooms with a floor area of less than 4 m² (43 sq. ft.).

Connection

- Before using the appliance check that your supply voltage is the same of that shown on the rating label of the unit and that the power socket and power supply line correspond to the load specified.
- Check also the current capacity of your fuses. **CONNECT YOUR HEATER TO EARTH PROVIDED SOCKET ONLY.**
- This appliance complies with directive 2004/108/ec on electromagnetic compatibility.

Keep loose clothing or bedding, furniture and flammable material away from the heater's wall outlet.

Turning on

Insert the plug into an electrical outlet, rotate the thermostat knob to maximum and turn the unit on as follows using the power selector:

- Turn the power selector to position MIN to select minimum output (the min light will be on).
- Turn the power selector to position MED to select

medium output (the min/med light will be on).

- Turn the power selector to position MAX to select maximum output (the lights will be on).

Adjusting the thermostat

When the room has reached the desired temperature, turn the thermostat knob slowly in an anti-clockwise direction until you hear a "click" and not beyond it. The thermostat will then adjust the set temperature automatically and keep it constant. If your unit is a three-output version, in intermediate seasons or on days when temperatures are not particularly cold, select minimum output to optimize savings and consumption.

Antifreeze function

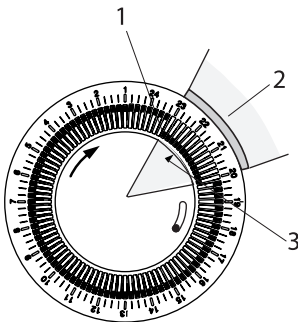
Turn the thermostat dial to the ❄️ position and the power selector to position MAX. The appliance will maintain a minimum room temperature of approximately 5°C, thus preventing freezing while conserving energy. In models that come with a timer, tabs must be set in the inward position.

Reminder

To completely shut the appliance off, turn the power selector to the "0" position and then unplug the appliance from the outlet.

UNITS WITH TIMER

How to use the timer



To program heating, proceed as follows:

- Look at the time on your clock or watch. If it is 10 p.m., turn the numbered timer disk clockwise until the number 22 (10 p.m.) on the disk coincides with the pointer ▲ (3) on the timer. Set the periods of time when you want the appliance to work by pushing the teeth (1) inward.

Each tooth (1) corresponds to a period of 15 minutes. This will leave visible sectors which correspond to the periods of operation (2). When set, the radiator will operate automatically each day during the times programmed (important: the radiator must always be plugged into the socket).

- To change the programming, move the teeth back into the initial position and set the new periods of operation.
- To turn the appliance off completely, as well as turning the knob to the off position, you must also unplug it from the power outlet to avoid continued operation of the timer.

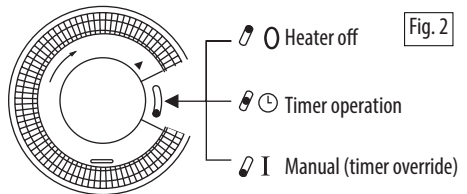
IMPORTANT: DO NOT ROTATE CLOCK DIAL COUNTER-CLOCKWISE.

The timer is like an electric clock, and will only work when plugged into a power supply. When unplugged, the timer stops and must be later re-set.

Timer override

If you wish to override the timer settings, push the timer switch to position I (fig.2) manual (timer override). To return to timed operation push the switch back to the middle position ⌚ (fig.2).

NOTE: if the timer switch is at the 0 position (fig. 2), the heater is off and will not operate).



Safety device

A safety device shuts the radiator down in the case of overheating. To start the radiator up again, contact Customer Experience. See enclosed guarantee leaflet.

MAINTENANCE AND SERVICE

Always unplug the heater from the power outlet and allow the radiator to cool.

Wipe radiator with a soft damp cloth; do not use detergents or abrasives. Should the radiator not be in use over a certain length of time, wind the cord around the holder and store it in a dry place. This appliance has been built to last for many years of trouble-free service. In case of malfunction or doubt, do not try to repair the heater by yourself: this might increase the risk of fire and electric shock. Please refer to the enclosed guarantee leaflet for service and assistance details.

TROUBLESHOOTING

PROBLEM	CAUSE	SOLUTION
The appliance doesn't work	<ul style="list-style-type: none">- Be sure it is plugged in and that the electrical outlet is working.- Check for any obstruction.- The temperature may be set too low.	<ul style="list-style-type: none">- Plug into the power outlet.- Remove the obstruction and let the appliance cool down. If the appliance doesn't work please contact Customer Experience.- Set the temperature to a higher position.

Before using this appliance ensure that the voltage indicated on the product corresponds with the main voltage in your home, if you are in any doubt about your supply contact your local electricity company.

The flexible mains lead is supplied connected to a B.S. 1363 fused plug having a fuse of 13 amp capacity.

Should this plug not fit the socket outlets in your home, it should be cut off and replaced with a suitable plug, following the procedure outlined below.

Note: Such a plug cannot be used for any other appliance and should therefore be properly disposed of and not left where children might find it and plug it into a supply socket - with the obvious consequent danger.

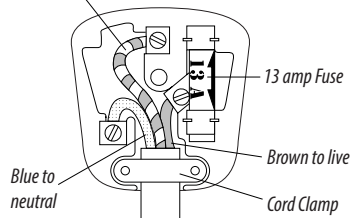
Please note: We recommend the use of good quality plugs and wall sockets that can be switched off when the machine is not in use.

IMPORTANT: The wires in the mains lead fitted to this appliance are coloured in accordance with the following code:

GREEN AND YELLOW
BLUE
BROWN

EARTH
NEUTRAL
LIVE

Green and Yellow to Earth



As the colours of the wires in the mains lead of this appliance may not correspond with the coloured markings identifying the terminals in your plug, proceed as follows:

- The wire which is coloured green and yellow must be connected to the terminal in the plug which is marked with the letter E or by the earth symbol \perp or coloured green or green and yellow.
- The wire which is coloured blue must be connected to the terminal which is marked with the letter N or coloured black.
- The wire which is coloured brown must be connected to the terminal which is marked with the letter L or coloured red.

When wiring the plug, ensure that all strands of wire are securely retained in each terminal. Do not forget to tighten the mains lead clamp on the plug. If your electricity supply point has only two pin socket outlets, or if you are in doubt, consult a qualified electrician.

Should the mains lead ever require replacement, it is essential that this operation be carried out by a qualified electrician and should only be replaced with a flexible cord of the same size.

After replacement of a fuse in the plug, the fuse cover must be refitted. If the fuse cover is lost, the plug must not be used until a replacement cover is obtained. The colour of the correct replacement fuse cover is that of the coloured insert in the base of the fuse recess or elsewhere on the plug. Always state this colour when ordering a replacement fuse cover.

Only 13amp replacement fuses which are asta approved to B.S. 1362 should be fitted.

This appliance conforms to the Norms EN 55014 regarding the suppression of radio interference.

Warning - this appliance must be earthed