



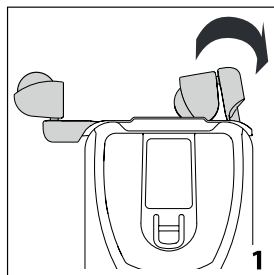
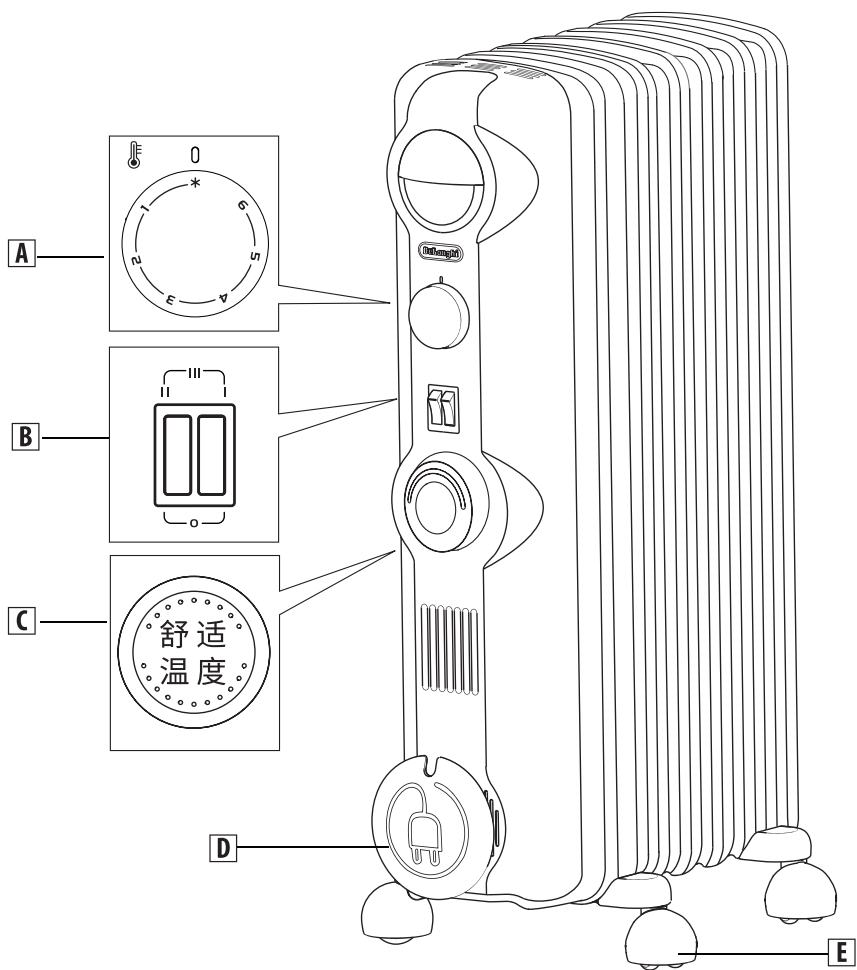
电 油 汀

OIL FILLED RADIATOR

使  
用  
说  
明  
书



TRRS0920C.B



## 严重警告

### 安全警示



危险!

不遵守以下警告可能导致触电从而引发危及生命的伤害。

-8岁及8岁以上的儿童，有肢体感官、心理障碍者或没有使用经验的人士，只有在有人监护或指导他们安全使用电器并理解其所涉及的危险的情况下，才可以使用本机器。儿童不得玩耍该电器。儿童必须在有人监管的情况下才能进行清洗和机器维护。

-除非有持续性的监督，请让3岁以下的孩子远离本机器。

-如果机器已经被安置好，并已设定在其正常的操作模式，而且在有监督情况下或者已经给予安全指导教育，了解有其相关危险后，3到8岁的儿童也只能启动或关闭本机器。3到8岁的儿童不得接通电源插头，调节、清洁或对机器进行维护保养。**注意—**在机器的运行过程中，本机器某些部件可能会变得很烫，引起烫伤。**必须特别注意在场的儿童和易受伤害人士的安全。**

-切勿在淋浴房、浴缸、水池或游泳池等附近使用本机器。

-切勿将机器浸入水中。

-电油汀的贮箱内填充了适量的特种油，因此需要打开时必须送到制造商或其授权的售后服务中心进行维修。万一有漏油现象，请联系制造商或其授权的售后服务中心。

-如果电源线损坏，必须由制造商、授权的服务中心或专业人员进行更换，以避免任何危险。

-**注意：**-为了避免任何危险而引起的意外安全系统的重置，故不得利用带有可自动接通电源的程序，定时器或任何其他装置来使用本加热器。



重要!

不遵守以下警告可导致伤害或损坏电器。

-本机器不得直接置于电源插座下方。

-不建议使用拖线板。因为在机器使用期间，可能会导致拖线板过热。



烧伤危险!!

不遵守以下警告可能导致烧伤或烫伤。

警告:  禁止覆盖

-为防止机器过热，在机器运作过程的任何情况下，禁止覆盖机器表面，否则可能会造成过热，引发危险。



请注意:

此标识表示对用户的使用建议和重要信息。

-切勿使用电油汀来烘干衣服。

-切勿将电源线放在发热的电油汀上方。

-建议不要将电油汀放在通风处，因为强烈的空气流通可能会影响机器的运行效率。

-电油汀使用时必须向上垂直放置。

-电油汀必须安放在距离家具或其他物品30厘米以上的地方。

-第一次使用该机器时，为了消除“新味”，请让机器在最大功率档运转至少15分钟。机器可能会释放少量的烟，因为机器在出厂运输前在发热元件上加入了保护物质。

-将机器放置在方便插拔电源线的位置。

-切勿在小于4平方米的室内使用电油汀。

-本机器配有安全装置，发生意外过热情况时会自动关机。如需重置，请参考机器附上的保修卡，联系售后服务中心。

## 废旧机器处置

切勿将机器作为生活垃圾进行废旧处理，可以将机器送交给专门的垃圾分类处理中心或回收站处理。



## 简易脚轮

为了防止喷漆损坏，请将电油汀倒置在地毯或较软的表面上。

向外转动脚轮使其全部打开(如图1)。将电油汀转到垂直位置。



**重要!**

使用时，电油汀必须一致保持垂直位置（脚轮在底部，控制器在顶部）。任何其它放置方式都会引起危险！

## 简介

感谢您选择德龙公司产品。

请您花几分钟仔细阅读说明书，避免设备使用时出现任何风险和损坏。

## 说明

(参看第1页图片)。

- A. 温控器旋钮
- B. 开关
- C. 舒适温度按钮
- D. 电线收纳盒
- E. 脚轮

## 使用

### 电器连接

-将电油汀接通电源之前，请先确认主电源电压和机器所示的电压值一致，并且插座和电源线插头大小匹配。

-只能将电油汀连接到有效的接地插座上。

-本机器符合电磁兼容指令。

## 使用方法

### 开机

顺时针方向转动温控器旋钮至最高档位。

打开两个开关。开关上的指示灯亮起，直至室温达到设置温度后熄灭。

当室内达到所需温度后，逆时针方向缓慢转动温控器旋钮直至听到咔哒声，然后指示灯熄灭。

机器会自动开启或关闭，从而保持所需的温度。

### 节电使用方式

为了更经济地使用电油汀，可以如下简单操作开关：

-按钮在I位置=最小功率（指示灯亮）；

-按钮在II位置=中等功率（指示灯亮）；

-按钮在I和II位置=最大电力(两个指示灯均亮)；

### 使用温控器

温控器是在室内温度的基础上运行，而不是在电油汀的温度基础上运行。

逆时针方向转动温控器旋钮选择数字更小的档

位可降低温度；顺时针方向转动温控器旋钮选择数字更大的档位可提高温度。如需彻底关闭电器，请将温控器旋钮旋转至最小 **\*** 档位，然后将电源插头从主电源插座拔出。

### 防霜冻功能

将温控器旋钮旋转至 **\*** 位置，按下开关，机器将会使室温保持在5℃左右，在最低能耗的情况下起防霜冻保护作用。

### 舒适温度按钮

如果同时按下舒适温度和两个开关，机器就设定了自动保持舒适的温度。舒适温度功能启用后，绿色灯光亮起。在此模式下，温度自动设

定为舒适温度。如需关闭此功能，返回温控器控制，请再次按下舒适温度按钮。

### 机器维护

在对电油汀进行任何操作之前，请先从电源插座上拔下插头并等待机器冷却。

电油汀不需要特别的保养维护。使用柔软的干布擦拭灰尘即可。切勿使用研磨性粉末或清洁剂进行清洁。如果必须去除污垢残留物，请使用真空吸尘器。

### 技术参数

参考铭牌

### 故障检修

| 问 题    | 原 因   | 解决方案   |
|--------|---|--|
| 机器不工作。 | 确保电源插头接入主电源插座，<br>确保电源插座正常工作。<br><br>检查是否有任何障碍物。<br><br>温度可能设置过低。 | 将电源插头接入主电源插座<br><br>去除障碍物，等待机器冷却。如机器不能工作，请联系售后服务中心。<br><br>设置到较高的温度。 |

## IMPORTANT WARNINGS

### Safety warnings



#### **Danger!**

Failure to observe the warning may result in life threatening injury by electric shock.

- This appliance can be used by children aged from 8 years and above and persons with reduced physical, sensory or mental capabilities or lack of experience and knowledge if they have been given supervision or instruction concerning use of the appliance in a safe way and understand the hazards involved. Children shall not play with the appliance. Cleaning and user maintenance shall not be made by children without supervision.
- Children of less than 3 years should be kept away unless continuously supervised.
- Children aged from 3 years and less than 8 years shall only switch on/off the appliance provided that it has been placed or installed in its intended normal operating position and they have been given supervision or instruction concerning use of the appliance in a safe way and understand the hazards involved. Children aged from 3 years and less than 8 years shall not plug in, regulate and clean the appliance or perform user maintenance. **CAUTION — Some parts of this product can become very hot and cause burns. Particular attention has to be given where children and vulnerable people are present.**
- Do not use the appliance near showers, bathtubs, sinks, swimming pools, etc.

- If the power cable has been damaged, it must be replaced by the manufacturer or the technical service centre or by a qualified person so as to avoid all risks.
- **ATTENTION:** in order to avoid any danger caused by an accidental resetting of the safety system, this appliance must not be powered through an external timer.



#### **Important!**


Failure to observe the warning could result in injury or damage to the appliance.

- The appliance must not be located immediately below a fixed socket-outlet.
- The body of this radiator is filled with a precise quantity of special oil, so that repairs requiring the opening of the oil body must only be made by the service agent. Any oil leakage must be reported to the Customer Experience, see enclosed guarantee for details.
- The use of an extension lead is not recommended, as overheating of the extension lead may occur during the operation of the heater.



#### **Danger of burns!!**

Failure to observe the warning could result in burns or scalds.

- **WARNING:** In order to avoid overheating, never under any circumstances cover the appliances  during operation, as this would lead to dangerous overheating.



#### **Please note:**

This symbol indicates recommendations and important information for the user.

- Never use the heater to dry laundry.
- Never place the power cable on top of the heater while it is hot.
- We recommend that you not place the heater in a draught, because strong draughts of air may adversely affect the equipment's operational efficiency.

- Only use the heater in an upright position.
- The heater must be positioned at least 30cm from furniture or other objects.
- The first time you use the appliance, operate it of at least 15 minutes with the thermostat at maximum to eliminate the "new" smell. A little smoke due to the protective substances applied to the heating element before transport may be given off.
- Position the appliance so that the plug and the outlet can be easily reached even after installation.
- Do not use the appliance in rooms less than 4m<sup>2</sup> in area.
- The appliance is fitted with a safety device which will switch off it in case of accidental overheating. To reset, please contact Customer Experience, see enclosed guarantee.

### Disposing of the appliance



The appliance must not be disposed of with household waste, but taken to an authorised waste separation and recycling centre.

## INTRODUCTION

Thank you for choosing a De'Longhi product. Please take a few minutes to read these instructions. This will avoid all risks and damage to the appliance.

## DESCRIPTION

(see figure on pag. 3).

- A** Thermostat
- B** Switches
- C** Comfortemp button
- D** Cord holder
- E** Wheel

## USE

### Electrical connection

- Before plugging the radiator into the mains, check that the voltage of your mains electricity supply corresponds to the value V indicated on the appliance and that the socket and power line are appropriately dimensioned.
- CONNECT THE RADIATOR TO EFFICIENTLY EARTHED SOCKETS ONLY.

### Fitting the wheels

Turn the radiator upside-down on a rug or a soft surface in order to prevent damaging the paint finish. Fully unfold the castors by turning them outwards (Fig.1). Turn the radiator back to its upright position.



### Important!

When in use, the radiator should always be kept vertical (wheels at the bottom, controls at the top). Any other position could be dangerous!

## INSTRUCTIONS FOR USE

### Switching on

Turn the thermostat dial clockwise to maximum. Turn on both switches. The lights on the switches remain on irrespective of the cycle set by the thermostat. When the room reaches the required temperature, turn the dial anticlockwise slowly until you hear a click. The appliance will come on and go off automatically to maintain the required temperature.

### Economiser

For economy of use, the switches can be used singly:

- button in position «I» only = minimum power (light on)
- button in position «II» only = medium power (light on)
- buttons in both positions «I» and «II» = maximum power (lights on)

### Using the thermostat

The thermostat operates on the basis of room temperature and not radiator temperature. Turn the thermostat dial anticlockwise towards the lower numbers to reduce the temperature; turn it clockwise towards the higher numbers to raise the temperature. To turn the appliance off completely, turn the thermostat to minimum \* and unplug from the mains.

### Frost protection function

With the thermostat in position \* and the switches pressed, the appliance maintains the room at a temperature of about 5°C, preventing freezing with minimum energy consumption.

## COMFORTEMP BUTTON

With the "COMFORTEMP" button and both switches pressed, the appliance is automatically set to reach and maintain what is considered to be the comfort temperature.

A green light comes on to indicate activation of "COMFORTEMP". In this mode the temperature is automatically set only by the "COMFORTEMP". To deactivate this mode and return to thermostat operation, press the COMFORTEMP button again.

## MAINTENANCE

Before carrying out any operation on the radiator, unplug

from the electric mains and wait for it to cool.  
 The oil-filled electric radiator requires no particular maintenance. It is sufficient to remove the dust with a soft, dry cloth. Never use abrasive powders or solvents. If necessary remove concentrations of dirt using a vacuum cleaner.

## TECHNICAL CHARACTERISTICS

|                |                  |
|----------------|------------------|
| Supply voltage | See rating label |
| Absorbed power | "                |

## TROUBLESHOOTING

| PROBLEM                    | CAUSE   | SOLUTION  |
|----------------------------|---|---|
| The appliance doesn't work | Be sure it is plugged in and that the electrical outlet is working. | Plug into the power outlet.   |
|                            | Check for any obstruction.  | Remove the obstruction and let the appliance cool down. If the appliance doesn't work please contact Customer Experience. |
|                            | The temperature may be set too low.                                 | Set the temperature to a higher position.   |

## ELECTRICAL CONNECTION (UK ONLY)

- A) If your appliance comes fitted with a plug, it will incorporate a 13 Amp fuse. If it does not fit your socket, the plug should be cut off from the mains lead, and an appropriate plug fitted, as below. **WARNING:** Very carefully dispose of the cut off plug after removing the fuse: do not insert in a 13 Amp socket elsewhere in the house as this could cause a shock hazard. With alternative plugs not incorporating a fuse, the circuit must be protected by a 15 Amp fuse. If the plug is a moulded-on type, the fuse cover must be re-fitted when changing the fuse using a 13 Amp Asta approved fuse to BS 1362. In the event of losing the fuse cover, the plug must NOT be used until a replacement fuse cover can be obtained from your nearest electrical dealer. The colour of the correct replacement fuse cover is that as marked on the base of the plug.
- B) If your appliance is not fitted with a plug, please follow the instructions provided below:

**WARNING - THIS APPLIANCE MUST BE EARTHED**


### IMPORTANT

The wires in the mains lead are coloured in accordance with the following code:

|                   |         |
|-------------------|---------|
| Green and yellow: | Earth   |
| Blue:             | Neutral |
| Brown:            | Live    |



As the colours of the wires in the mains lead may not correspond with the coloured markings identifying the terminals in your plug, proceed as follows:

The green and yellow wire must be connected to the terminal in the plug marked with the letter E or the earth symbol  or coloured green or green and yellow. The blue wire must be connected to the terminal marked with the letter N or coloured black. The brown wire must be connected to the terminal marked with the letter L or coloured red.





★若有任何需求请与下述地址联系：

☆ 邑隆贸易(上海)有限公司

地址：上海市普陀区中山北路3553号伸大厦2001-2016室

电话：021 3135 8858 传真：021 3135 8262 邮编：200062

客户热线：400 827 1668

网址：[www.delonghi.com.cn](http://www.delonghi.com.cn)

5718511161\_01\_0718

update 2018/6/27