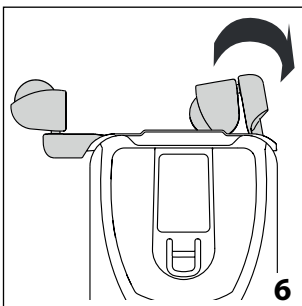
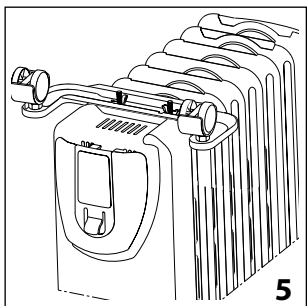
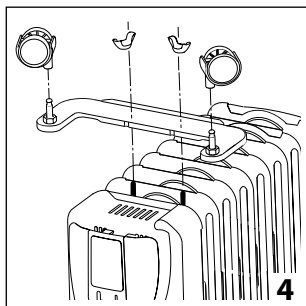
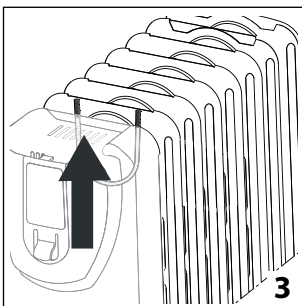
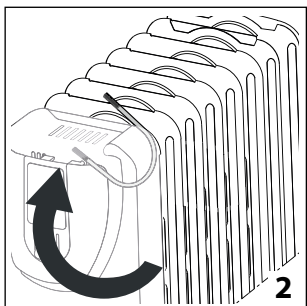
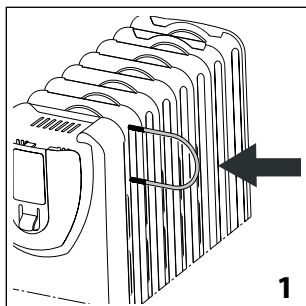
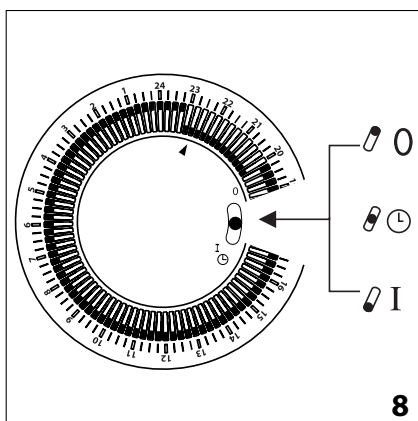
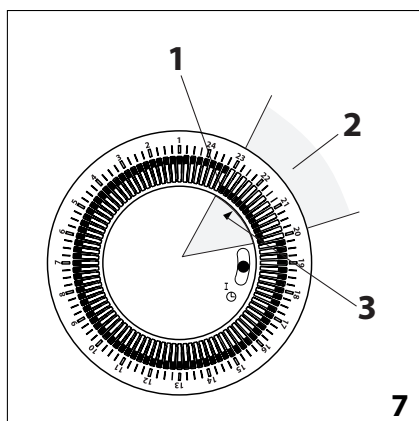
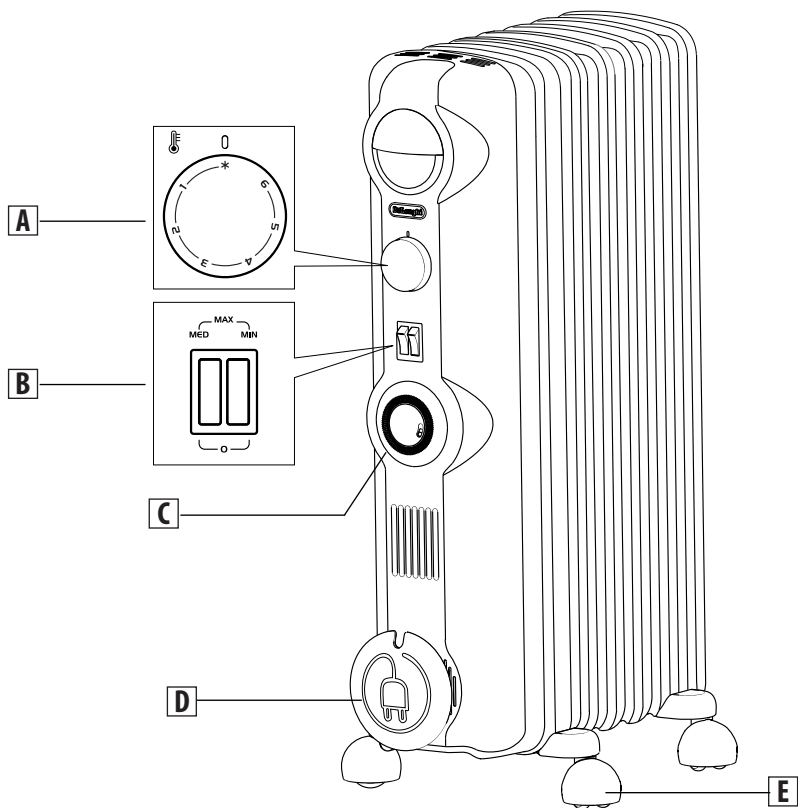

TRRS Series

充油式電暖爐
OIL FILLED RADIATORS



De'Longhi





重要警告

安全警告



危險！

不遵守該警告有可能導致觸電，危及生命。

- 8歲或以上的兒童、身體或精神有缺陷和缺乏相關經驗知識的人士，在監護人的監督指導下和清楚洩及之危險的情況下可使用本機。兒童不可把本機當作玩具，在沒有監督的情況下兒童不可清潔及維修本機。
- 在沒有監督下，3歲以下兒童應遠離本機。
- 3至8歲的兒童只可在監護人的監督指導下和清楚知道洩及之危險及於正常運作的情況下啟動本機開/關制。亦不可自行插上電源、清潔或進行維修。

警告 - 本產品某些部份會發熱及導致燙傷，兒童及有缺陷人士需特別注意。

- 切勿在浴缸、花灑、水槽或游泳池附近使用本機。
- 如電線損毀，必須由生產商、獲授權的服務中心或合資格的電工更換，以免發生意外。
- 注意：為免安全系統意外重置，本機不可加置開/關裝置 (例如計時器)。



重要！

如果不遵守警告，可能會造成損傷或損壞本機。

- 不得緊貼著固定電源插座的下方放置本機。
- 不建議使用拖板，因操作過程中有機會造成過熱。



燙傷危險！！

如果不遵守警告，可能會造成灼傷或燙傷。

- 警告：為免過熱，切勿以任何物件覆蓋正在運作中的充油式電暖爐。



請注意：

以上符號代表對用戶的建議及重要信息。

- 切勿使用本機烘乾衣物
- 切勿將電源線置於未完全冷卻的暖爐上
- 不建議將本機放置於當風處，因強風或氣流會影響本機的操作效能。
- 保持本機直立
- 本機必須放置於距離傢俱或其他物件至少30厘米的範圍外。
- 首次使用本機時，啟動後將恆溫器的溫度調至最高並操至少15分鐘來除掉新機初次使用時所發出的異味，其間亦可能有少許煙霧排出，這是由於暖爐表面上的保護物質所致。
- 將本機置於可容易接觸到電源插頭的位置。
- 切勿在面積少於4平方米的房間內使用本機。
- 本機設有安全裝置，在過熱的情況下會自動關閉。如要重新開動，請聯絡客戶服務部，請參看附於機內的保養書。



本機符合下列EC指令：

- 低電壓指令及隨後的修改；
- EEC指令於電磁兼容性(EMC)及隨後的修改；

處置本機



本機不可與家居垃圾一同處置，而是應當送到授權的垃圾分類站和回收中心。

介紹

感謝閣下選購本機。使用本機前應花少許時間看畢說明書，以避免各種可能出現的危險及損壞本機。

描述

(請參看第3頁附圖)

- A 恆溫器
- B 開關掣
- C 24小時時間掣 (只適用於某些型號)
- D 存放電線
- E 輪子

使用

連接電器

- 插入電源前，需確保電源電壓與本機上註明的電壓值（伏特）相符，並且插座和電路可負荷得到。
- 本機需連接到已接地線插頭
- 本機符合電磁兼容性指令。

安裝底輪

將支撐腳架及腳輪從發泡膠包裝取出。

插入U型螺栓如圖示1, 2, 3及使用蝶形螺母將支撐腳安裝在電暖爐底部最後兩個組件之間，然後將腳輪安裝在支撐腳轉軸上，用力推進直至固定(圖 4-5)。

拉動各個腳輪，檢查是否安裝得當。

某些型號腳輪已經安裝在支撐腳上。

配有「易拆」滑輪的型號

將電暖爐倒置於地氈或柔軟表面上，以防損壞機身油漆表面。

向外轉動腳輪，使其完全鬆脫(圖. 6)。

然後將電暖爐回復直立位置。



重要提示！

使用時，電暖爐應保持直立（腳輪在底部，控制開關在頂部），其他擺放方式均存在危險！

使用指引：

開機

將恆溫器旋鈕向順時針方向調至最大值(6)。同時開啟兩個開關掣。指示燈會持續亮著直至室內溫度達到預設溫度，然後便會關掉。當室內溫度達到所需室溫時，將刻度盤向逆時針方向慢慢轉動，直到聽到「卡嗒」一聲指示燈便會熄滅。

本機會間歇性開或關來自動調節到所設置的溫度。

- 按鈕處於《MIN》位置 = 最小熱力（指示燈亮起）；
- 按鈕處於《MED》位置 = 中等熱力（指示燈亮起）；
- 兩個按鈕均處於《MIN》《MED》位置 = 最大熱力（指示燈亮起）

操作恆溫器

恆溫器的操作會根據室溫來調節而不是依照暖爐的溫度調節。

將恆溫器向逆時針方向轉動到較低數值來調低溫度；將恆溫器向順時針方向轉動到較高數值來提高溫度。

要關掉本機，將恆溫器轉到最低數值✱然後由主電源拔出插頭。

防結霜功能

將恆溫器調到 ***** 位置然後按下開關掣，本機便可令室溫保持在5°C左右，以最低耗電量來防止結霜。

如何使用24小時時間掣

設置電暖爐的步驟如下 (圖.7)：

- 查看時鐘或手錶所示時間。以10點為例，順時針轉動代表刻度的計時盤，直至上面的數字22(即晚上10時)與計時器的箭咀▲ (3) 指針重合。將齒輪 (1) 向內推進來設定所需的操作時間。
每推進一格齒輪代表15分鐘，此時可清楚看到對應的設定時間 (2)。設定完成後，電暖爐每日將在設定時間自動開啟 (重要提示：電暖爐必須保持插上電源)。
- 如需變更設定，將所有齒輪回復原位，然後重新設定操作時間。
- 想完全關掉本機，可將開關掣按下往0的位置，同時需拔掉插頭，避免時間設定器仍處於操作中。

重要：不要逆時針方向轉動表盤

24小時時間掣的結構跟時鐘一樣，只可於插上電源時才可運作，當拔掉插頭，時間設定器便會停止操作，之後需重新設定24小時時間掣。

覆蓋24小時時間掣 (只適用於某些型號)

如想設定覆蓋24小時時間，將時間掣推到位置 I (圖.1) 指示 (覆蓋24小時時間掣)。想回復之前的設定，可將開關推回中間位置 Ⓛ (圖.8)。

注意：如時間掣開關處於 0 的位置 (圖.8)，電暖爐便會關上並停止操作。

保養

如需對電暖爐進行任何保養，應首先切斷電源並待其冷卻。

充油式電暖爐無需特別保養。使用柔軟乾布抹去灰塵即可。切勿使用研磨粉或溶劑進行清潔。如有必要，可用吸塵機除塵。

技術特點

電源 請看本機評級規格
耗電率 “

故障處理

指示燈	成因	解決方法
本機不能運作	確定本機插頭是否已插進電源插座及是否已連接電源。 檢查是否有其他干擾或阻礙。 溫度設置得太低。	將插頭插進電源插座中。 除去障礙物及讓機身冷卻。如本機仍然未能操作，請聯絡客戶服務部。 將溫度調到較高溫度。

電源接駁

- A) 您的電器附有一個電插頭，並配合13安培的保險絲。如果它與您的電插孔不相配，請將主電源插頭切除，換上合適的插頭，如下列所示。警告：移除保險絲後，請小心處理被切除的插頭：切勿將它裝設於在屋內其他任何地方的13安培電插，以免有觸電危險。如果新的插頭不配有保險絲，在更換13安培Asta認可的保險絲至BS 1362，電路板必須重新裝設。如果遺失了保險絲護蓋，插頭絕不能使用，請務必到您最就近的電器代理商選購新的保險絲護蓋替代。保險絲護蓋的顏色可見於電插頭的底部。
- B) 若您的電器不附設電插頭，請按照以下指示：

警告 - 此電器必須接上地線

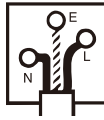
重要提示

主電源裡的電線以不同顏色區分，標示如下：


黃綠色：地線

藍色：中性線

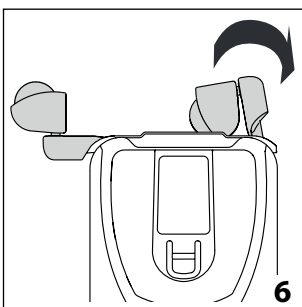
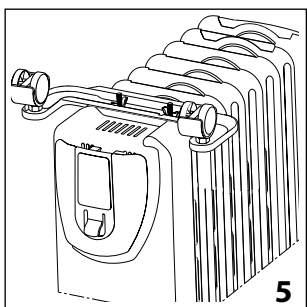
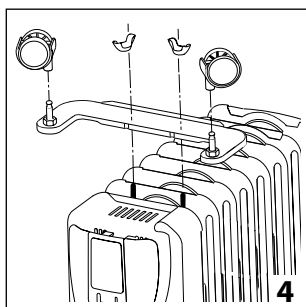
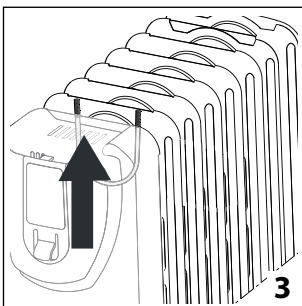
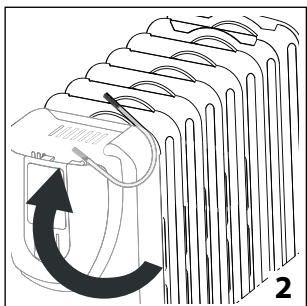
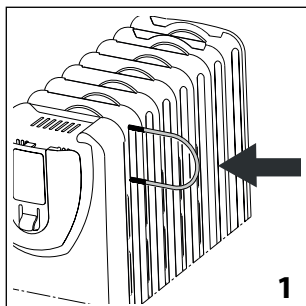
棕色：火線

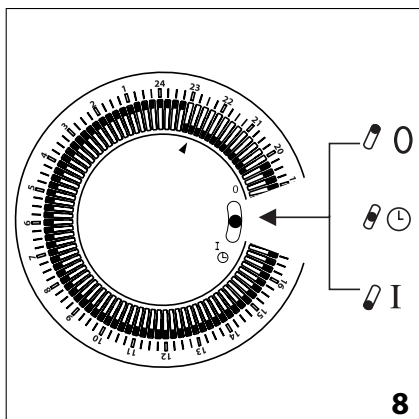
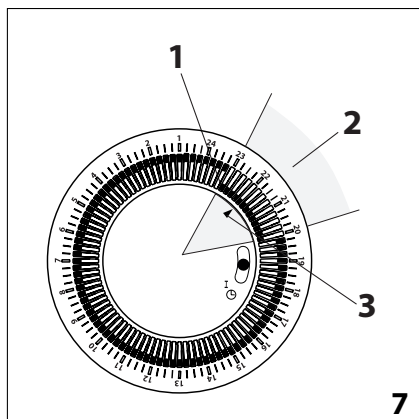
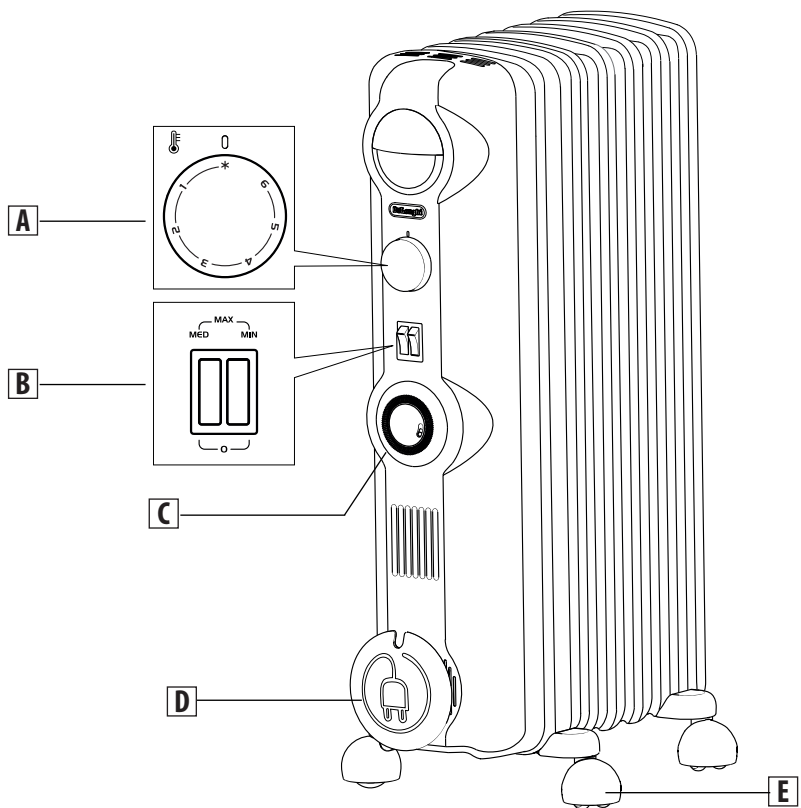


由於主電源的電線顏色未必與您電插標示接頭顏色相同，請參考如下指示：

黃綠色導線必須與插頭中標有字母「E」、有接地符號  或綠色或黃綠色的端子連接。藍色導線必須與標有字母「N」或黑色的導線連接。

棕色導線必須與標有字母「L」或紅色的導線連接。





IMPORTANT WARNINGS

Safety warnings



Danger!

Failure to observe the warning may result in life threatening injury by electric shock.

- This appliance can be used by children aged from 8 years and above and persons with reduced physical, sensory or mental capabilities or lack of experience and knowledge if they have been given supervision or instruction concerning use of the appliance in a safe way and understand the hazards involved. Children shall not play with the appliance. Cleaning and user maintenance shall not be made by children without supervision.
- Children of less than 3 years should be kept away unless continuously supervised.
- Children aged from 3 years and less than 8 years shall only switch on/off the appliance provided that it has been placed or installed in its intended normal operating position and they have been given supervision or instruction concerning use of the appliance in a safe way and understand the hazards involved. Children aged from 3 years and less than 8 years shall not plug in, regulate and clean the appliance or perform user maintenance. **CAUTION — Some parts of this product can become very hot and cause burns. Particular attention has to be given where children and vulnerable people are present.**
- Do not use the appliance near showers, bathtubs, sinks, swimming pools, etc.

- If the power cable has been damaged, it must be replaced by the manufacturer or the technical service centre or by a qualified person so as to avoid all risks.
- **ATTENTION:** in order to avoid any danger caused by an accidental resetting of the safety system, this appliance must not be powered through an external timer.



Important!


Failure to observe the warning could result in injury or damage to the appliance.

- The appliance must not be located immediately below a fixed socket-outlet.
- The use of an extension lead is not recommended, as overheating of the extension lead may occur during the operation of the heater.



Danger of burns!!

Failure to observe the warning could result in burns or scalds.

- **WARNING:** In order to avoid overheating, never under any  circumstances cover the appliances during operation, as this would lead to dangerous overheating.



Please note:

This symbol indicates recommendations and important information for the user.

- Never use the heater to dry laundry.
- Never place the power cable on top of the heater while it is hot.
- We recommend that you not place the heater in a draught, because strong draughts of air may adversely affect the equipment's operational efficiency.
- Only use the heater in an upright position.
- The heater must be positioned at least 30cm from furniture or other objects.
- The first time you use the appliance, operate it of at least 15 minutes with the thermostat at maximum to eliminate the "new" smell. A little smoke due to the protective substances applied to the heating element before transport may be given off.
- Position the appliance so that the plug and the outlet

can be easily reached even after installation.

- Do not use the appliance in rooms less than 4m² in area.
- The appliance is fitted with a safety device which will switch off it in case of accidental overheating. To reset, please contact Customer Experience, see enclosed guarantee.

CE The appliance complies with the following EC directives:

- Low Voltage Directive and subsequent amendments;
- EEC Directive on electromagnetic compatibility (EMC) and subsequent amendments;

Disposing of the appliance



The appliance must not be disposed of with household waste, but taken to an authorised waste separation and recycling centre.

INTRODUCTION

Thank you for choosing a De'Longhi product.
Please take a few minutes to read these instructions.
This will avoid all risks and damage to the appliance.

DESCRIPTION

(see figure on pag. 3).

- A** Thermostat
- B** Switches
- C** Timer (only in certain models)
- D** Cord holder
- E** Wheel

USE

Electrical connection

- Before plugging the radiator into the mains, check that the voltage of your mains electricity supply corresponds to the value V indicated on the appliance and that the socket and power line are appropriately dimensioned.
- CONNECT THE RADIATOR TO EFFICIENTLY EARTHED SOCKETS ONLY.
- This appliance complies with directive on electromagnetic compatibility.

Fitting the feet

Remove the feet and the castors from the polystyrene packing. Insert the threaded u-bolt as shown in figures 1, 2 and 3 and use wing nuts to fix the feet to the bottom of the radiator between the last two elements, then fit the castors to the spindles on the feet and push firmly until they click into

position (fig. 4-5).

Pull each castor to check that it is fitted correctly.

In certain models, the castors are already mounted on the feet.

Models with "Easy wheel" system

Turn the radiator upside-down on a rug or a soft surface in order to prevent damaging the paint finish.

Fully unfold the castors by turning them outwards (Fig.6). Turn the radiator back to its upright position.



Important!

When in use, the radiator should always be kept vertical (wheels at the bottom, controls at the top). Any other position could be dangerous!

INSTRUCTIONS FOR USE

Switching on

Turn the thermostat dial clockwise to maximum (6).

Turn on both switches. The lights on the switches remain on until the room temperature reaches the set temperature, then, they will switch off.

When the room reaches the required temperature, turn the dial anticlockwise slowly until you hear a click and the lights will switch off.

The appliance will come on and go off automatically to maintain the required temperature.

- button in position «MIN» = minimum power (indicator light on);
- button in position «MED» = intermediate power (indicator light on);
- both buttons in position «MIN» «MED» = maximum power (indicator lights on)

Using the thermostat

The thermostat operates on the basis of room temperature and not radiator temperature.

Turn the thermostat dial anticlockwise towards the lower numbers to reduce the temperature; turn it clockwise towards the higher numbers to raise the temperature. To turn the appliance off completely, turn the thermostat to minimum ✱ and unplug from the mains.

Frost protection function

With the thermostat in position ✱ and the switches pressed, the appliance maintains the room at a temperature of about 5°C, preventing freezing with minimum energy consumption.

HOW TO USE THE TIMER

To program heating, proceed as follows (fig.7):

- Look at the time on your clock or watch. If it is 10 p.m., turn the numbered timer disk clockwise until the number 22 (10 p.m.) on the disk coincides with the pointer ▲ (3) on the timer. Set the periods of time when you want the appliance to work by pushing the teeth (1) inward.
Each tooth (1) corresponds to a period of 15 minutes. This will leave visible sectors which correspond to the periods of operation (2). When set, the radiator will operate automatically each day during the times programmed (important: the radiator must always be plugged into the socket).
- To change the programming, move the teeth back into the initial position and set the new periods of operation.
- To turn the appliance off completely, as well as press the switches to the 0 position, you must also unplug it from the power outlet to avoid continued operation of the timer.

IMPORTANT: DO NOT ROTATE CLOCK DIAL COUNTER-CLOCKWISE.

The timer is like an electric clock, and will only work when plugged into a power supply. When unplugged, the timer stops and must be later re-set.

TROUBLESHOOTING

PROBLEM	CAUSE	SOLUTION
The appliance doesn't work	Be sure it is plugged in and that the electrical outlet is working.	Plug into the power outlet.
	Check for any obstruction.	Remove the obstruction and let the appliance cool down. If the appliance doesn't work please contact Customer Experience.
	The temperature may be set too low.	Set the temperature to a higher position.

Timer override (only on some models)

If you wish to override the timer settings, push the timer switch to position I (fig.8) manual (timer override). To return to timed operation push the switch back to the middle position Ⓛ (fig.8).

NOTE: if the timer switch is at the 0 position (fig. 8), the heater is off and will not operate.

MAINTENANCE

Before carrying out any operation on the radiator, unplug from the electric mains and wait for it to cool.

The oil-filled electric radiator requires no particular maintenance. It is sufficient to remove the dust with a soft, dry cloth. Never use abrasive powders or solvents. If necessary remove concentrations of dirt using a vacuum cleaner.

TECHNICAL CHARACTERISTICS

Power supply	See rating label
Absorbed power	"

ELECTRICAL CONNECTION

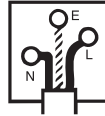
- A) If your appliance comes fitted with a plug, it will incorporate a 13 Amp fuse. If it does not fit your socket, the plug should be cut off from the mains lead, and an appropriate plug fitted, as below. **WARNING:** Very carefully dispose of the cut off plug after removing the fuse: do not insert in a 13 Amp socket elsewhere in the house as this could cause a shock hazard. With alternative plugs not incorporating a fuse, the circuit must be protected by a 15 Amp fuse. If the plug is a moulded-on type, the fuse cover must be re-fitted when changing the fuse using a 13 Amp Asta approved fuse to BS 1362. In the event of losing the fuse cover, the plug must NOT be used until a replacement fuse cover can be obtained from your nearest electrical dealer. The colour of the correct replacement fuse cover is that as marked on the base of the plug.
- B) If your appliance is not fitted with a plug, please follow the instructions provided below:

WARNING - THIS APPLIANCE MUST BE EARTHED


IMPORTANT

The wires in the mains lead are coloured in accordance with the following code:

Green and yellow:	Earth
Blue:	Neutral
Brown:	Live



As the colours of the wires in the mains lead may not correspond with the coloured markings identifying the terminals in your plug, proceed as follows:

The green and yellow wire must be connected to the terminal in the plug marked with the letter E or the earth symbol  or coloured green or green and yellow. The blue wire must be connected to the terminal marked with the letter N or coloured black.

The brown wire must be connected to the terminal marked with the letter L or coloured red.



De'Longhi Kenwood A.P.A.Ltd Consumer Care Centre
De'Longhi Kenwood A.P.A.Ltd 客戶服務中心

客戶服務熱線 Customer Service Hotline: 2237-1313

網頁 Website: www.delonghigroup.com

電子郵件 E-mail: info.hk@delonghigroup.com

維修地址(香港) : 香港德輔道中288號易通商業大廈6樓C室

Address (HK Island) : 6/F, Flat C, Eton Building, 288 Des Voeux Road Central, HK

維修地址(九龍) : 葵涌葵昌路56號貿易之都1603室

Address (Kowloon) : Room 1603, Millennium Trade Centre, 56 Kwai Cheong Road, Kwai Hing