

Proudly distributed by  
**De'Longhi Australia Pty Limited**  
P.O. BOX 4540  
CASULA MALL NSW 2170  
Customer Service Ph: 1800 126 659  
Fax: 1800 706932  
[www.delonghi.com.au](http://www.delonghi.com.au)  
e-mail: [delonghi@delonghi.com.au](mailto:delonghi@delonghi.com.au)

**De'Longhi New Zealand Limited**  
99 Khyber Pass Road  
Grafton 1023  
Auckland, New Zealand  
P.O. Box 58-056 Botany  
MANUKAU 2163  
Customer Service Ph: 0508 200 300  
Fax: 0508 200 301  
[www.delonghi.co.nz](http://www.delonghi.co.nz)  
e-mail: [delonghi@delonghi.co.nz](mailto:delonghi@delonghi.co.nz)

---

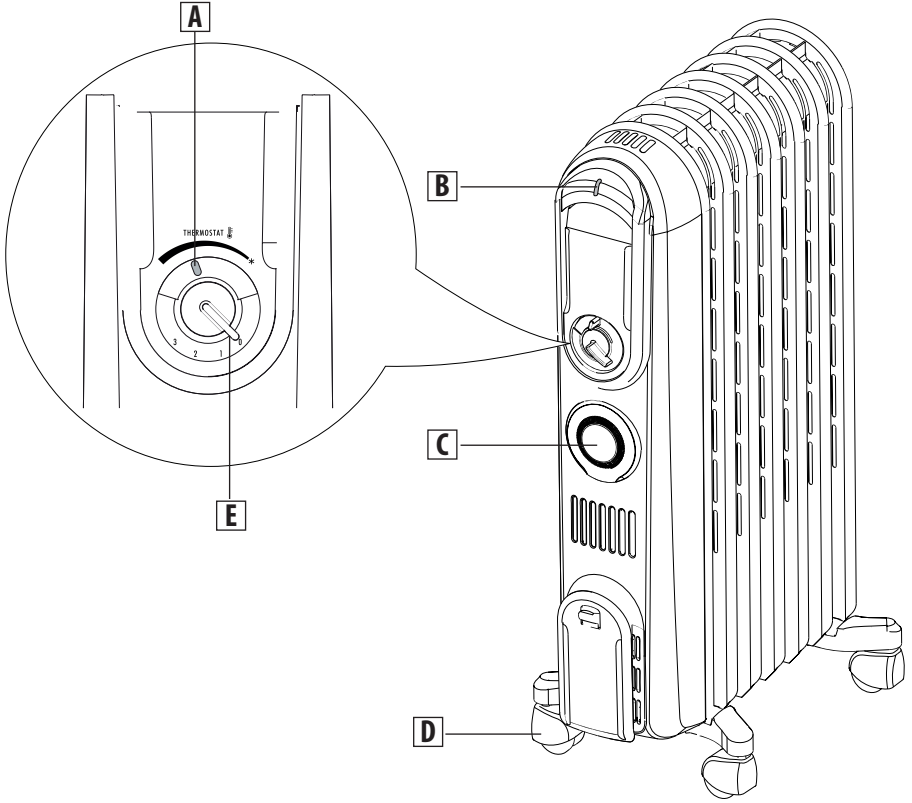
# TRV Series

## OIL FILLED RADIATOR Instructions for use



---

**DeLonghi**



## IMPORTANT WARNINGS

### Safety warnings



#### **Danger!**

Failure to observe the warning may result in life-threatening injury by electric shock.

- This appliance can be used by children aged from 8 years and above and persons with reduced physical, sensory or mental capabilities or lack of experience and knowledge if they have been given supervision or instruction concerning use of the appliance in a safe way and understand the hazards involved. Children shall not play with the appliance. Cleaning and user maintenance shall not be made by children without supervision.
- Children of less than 3 years should be kept away unless continuously supervised.
- Children aged from 3 years and less than 8 years shall only switch on/off the appliance provided that it has been placed or installed in its intended normal operating position and they have been given supervision or instruction concerning use of the appliance in a safe way and understand the hazards involved. Children aged from 3 years and less than 8 years shall not plug in, regulate and clean the appliance or perform user maintenance. **CAUTION — Some parts of this product can become very hot and cause burns. Particular attention has to be given where children and vulnerable people are present.**
- **WARNING:** In order to avoid overheating, never under any circumstances cover the



appliances during operation, as this would lead to dangerous overheating.

- The body of this radiator is filled with a precise quantity of special oil, so that repairs requiring the opening of the oil body must only be made by the service agent. Any oil leakage must be reported to the Customer Experience, see enclosed guarantee for details.
- The appliance must not be located immediately below a fixed socket-outlet.
- Do not use the heater in the vicinity of bathtubs, wash basins, showers, sinks and swimming pools.
- If the power cable has been damaged, it must be replaced by the manufacturer or the technical service centre or by a qualified person so as to avoid all risks.
- **ATTENTION:** in order to avoid any danger caused by an accidental resetting of the safety system, this appliance must not be powered through an external timer.



#### **Danger of burns!!**

Failure to observe the warning could result in burns or scalds.

- The use of an extension lead is not recommended, as overheating of the extension lead may occur during the operation of the heater.



#### **Please note:**

This symbol indicates recommendations and important information for the user.

- Never use the heater to dry laundry.
- Never place the power cable on top of the heater while it is hot.
- We recommend that you not place the heater in a draught, because strong draughts of air may adversely affect the equipment's operational efficiency.
- Only use the heater in an upright position.
- The heater must be positioned at least 50cm from furniture or other objects.
- The first time you use the appliance, operate it of at

least 15 minutes with the thermostat at maximum to eliminate the “new” smell. A little smoke due to the protective substances applied to the heating element before transport may be given off.

- Do not obstruct the hot air outlet grilles or the air intake grille on the bottom of the appliance.
- Position the appliance so that the plug and the outlet can be easily reached even after installation.
- Do not use the appliance in rooms less than 4 m<sup>2</sup> in area.
- The appliance is fitted with a safety device which will switch off it in case of accidental overheating. To reset, please contact Customer Experience, see enclosed guarantee.

**CE** The appliance complies with the following EC directives:

- Low Voltage Directive 2006/95/EC and subsequent amendments;
- EEC Directive 2004/108 on electromagnetic compatibility (EMC) and subsequent amendments;

## INTRODUCTION

Thank you for choosing a De’Longhi product.  
Please take a few minutes to read these instructions.  
This will avoid all risks and damage to the appliance.

## DESCRIPTION

- A** Thermostat pointer
- B** Indicator light
- C** Timer
- D** Wheels
- E** Power selector

## USE

### Models with “easy wheel” system

Turn the radiator upside down and rest it on a piece of cloth or other soft surface to avoid damaging the paint.  
Open the wheels completely by rotating them outwards (fig. 1).

Turn the radiator upright.

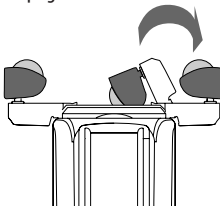


Fig. 1

## Important

When in use, the radiator should always be kept vertical (wheels at the bottom, controls at the top). Any other position could be dangerous!

## Connection

- Before using the appliance check that your supply voltage is the same of that shown on the rating label of the unit and that the power socket and power supply line correspond to the load specified.
- Check also the current capacity of your fuses. **CONNECT YOUR HEATER TO EARTH PROVIDED SOCKET ONLY.**
- This appliance complies with directive 2004/108/ec on electromagnetic compatibility. Keep loose clothing or bedding, furniture and flammable material away from the heater's wall outlet.

The radiator must be connected to a perfectly functioning 230-240 V AC socket with correct poles. Avoid contact between clothing, household linen, furniture, inflammable material and the socket providing power to the radiator.

## Where to locate the appliance

Position the radiator under the coldest window in the room or wherever else you want. The radiator will reduce the effects of cold draughts to a minimum. The appliance must not be positioned directly underneath a fixed power point. Do not use the appliance in rooms with a surface area of less than 4 m<sup>2</sup>.

## TURNING ON

Plug into the mains, turn the thermostat pointer as far as it will go to maximum and turn the radiator on using the power selector as described below:

- Turn the power selector to 1 (minimum power) (the light comes on).
- Turn the power selector to 2 (medium power) (the light comes on).
- Turn the power selector to 3 (maximum power) (the light comes on).

**i** **Please note:** For economic operation, once the appliance has reached working temperature, you can use minimum or medium power (1 or 2).

## Adjusting the thermostat

When the room has reached the required temperature, turn the thermostat slowly clockwise until a “click” is heard and no further. The thermostat will automatically regulate the

temperature set and keep it constant. If your model has three power levels, in the spring or autumn or on mild days, you can further save energy by using minimum power.

### Frost protection function

Turn the thermostat dial to the ✖ and select the maximum power, the appliance maintains room temperature at about 5°C, preventing freezing with minimal energy consumption.

**i Please note:** To turn the appliance off completely, turn the power selector to "0".

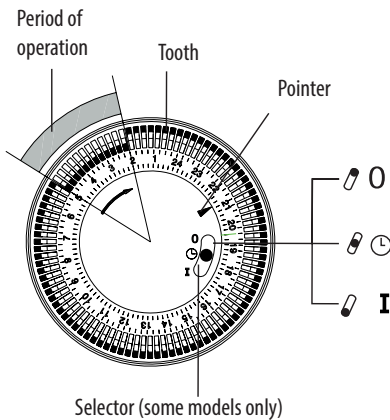
### THE TIMER

As with all clocks, the timer must be set to the exact time. For example, if it is 9.30 in the morning, turn the dial of the timer clockwise (in the direction of the arrow) until 9.30 is lined up with the pointer

**IMPORTANT:** DO NOT TURN THE DIAL OF THE TIMER ANTICLOCKWISE.

The timer is an electric clock and works only if plugged into a socket. If disconnected, the timer stops and must be reset.

See figure below:



- Appliance off
- Programme mode
- Manual mode

**IMPORTANT:** the timer consists of 96 teeth, each representing a 15-minute period. The appliance can be programmed to come on and go off at set times. With the timer, the appliance is programmed to within 15 minute intervals and you can programme up to 48 cycles (each cycle consists of a coming on and a going off time) during a 24 hour period). The teeth can be pushed or pulled with your fingers. When a tooth is pushed towards the centre of the dial, the radiator remains in operation for those 15 minutes. If the tooth is pulled out, the radiator is off during that period.

### Using the timer

- A) Plug into the mains socket.
- B) Turn the dial clockwise to set the current time (see SETTING THE CLOCK).
- C) Push the teeth corresponding to the period you do not want the radiator to operate towards the outside. For example, the radiator in the figure will be on from 2.00 to 5.00.
- D) Turn the power selector to the required position (1, 2 or 3).
- E) Once the teeth have been set for the desired periods of heating, the radiator will come on and go off as set.
- F) While the radiator remains plugged into the socket, the timer retains the correct time.

### OPERATION WITHOUT TIMER

To operate without timer, place the selector in the I position (see figure).

To go back to programmed operation, place the selector in the ⌚ position.

**i Please note:** when the selector is in the 0 position, the appliance is off. In the I and 0 positions, the timer is still set to the current time.

### Safety device

A safety device shuts the radiator down in the case of overheating. To start the radiator up again, call the nearest service centre.

### MAINTENANCE AND SERVICE

Before performing any operations on the appliance, always unplug from the mains socket and leave to cool.

Dust the radiator with a soft damp cloth without using detergents or abrasives.

If the radiator is not used for a long period of time, wrap the cable around the cable tidy and store the appliance in a

dry place. This appliance has been made to last many years without problems.

In the event of malfunction or doubt, do not try and repair on your own. There would be the danger of fire or electric shock. Call the nearest service centre (see list of service centres).

## TECHNICAL CHARACTERISTICS

Power supply	See rating plate
Absorbed power	"

## TROUBLESHOOTING

PROBLEM	CAUSE	SOLUTION
The appliance doesn't work	Be sure it is plugged in and that the electrical outlet is working.	Plug into the power outlet.
	Check for any obstruction.	Remove the obstruction and let the appliance cool down. If the appliance doesn't work please contact the nearest De'Longhi Customer Service.
	The temperature may be set too low.	Set the temperature to a higher position.